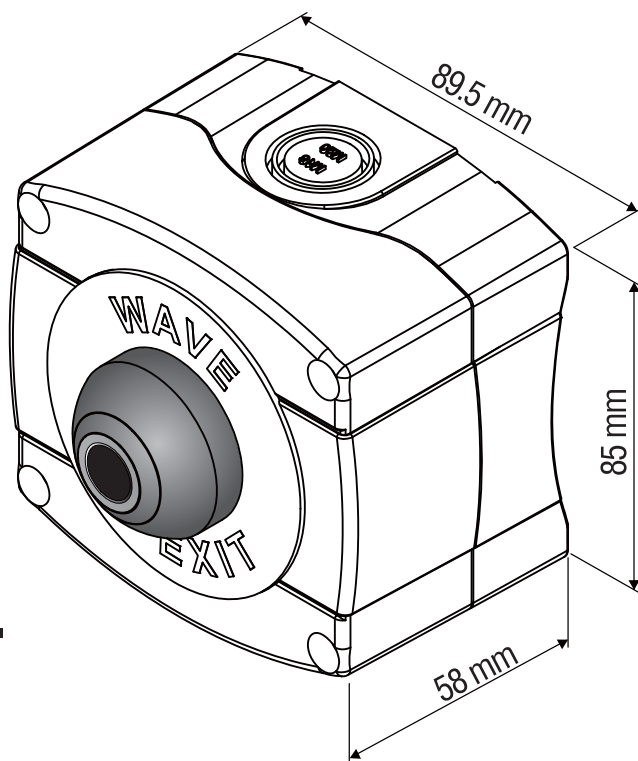


RTS-950 Weatherproof IR Sense Exit Button Installation Manual

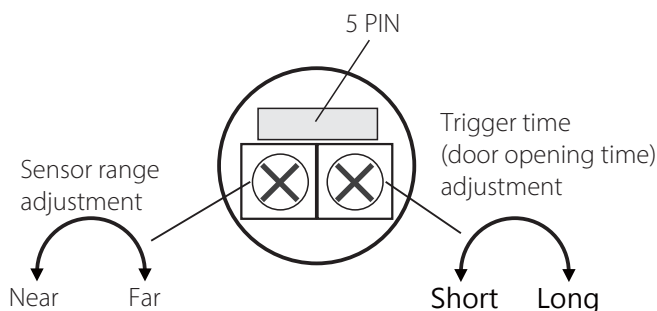
The RTS-950 adopts NEMA 4X rated enclosure and ensures strength and durability in indoor and outdoor environment. In the case of negative pressure or vacuum, dust and moisture easily pass through the enclosure. The NEMA 4X rated enclosure protects the internal electronics from windblown dust and rain.

Specifications

- Operating Voltage: 12~24VDC
- Current Draw: Pull in 40mA/12VDC; Holding 30mA/12VDC
Pull in 50mA/24VDC; Holding 25mA/24VDC
- Relay Rating: 1A/30VDC maximum
- Operating Temperature: -10~+70°C
- Ambient Humidity: 5~95%
- Dual LED, illuminated sensor indicates status:
Standby (Red), Active (Green)
- Sensor range: 120mm max.
- Output Time: 0~20 seconds, toggle
*Toggle: turn all the way clockwise
- Ingress Protection Rating: IP65
- NEMA Rating: 4/4x/13



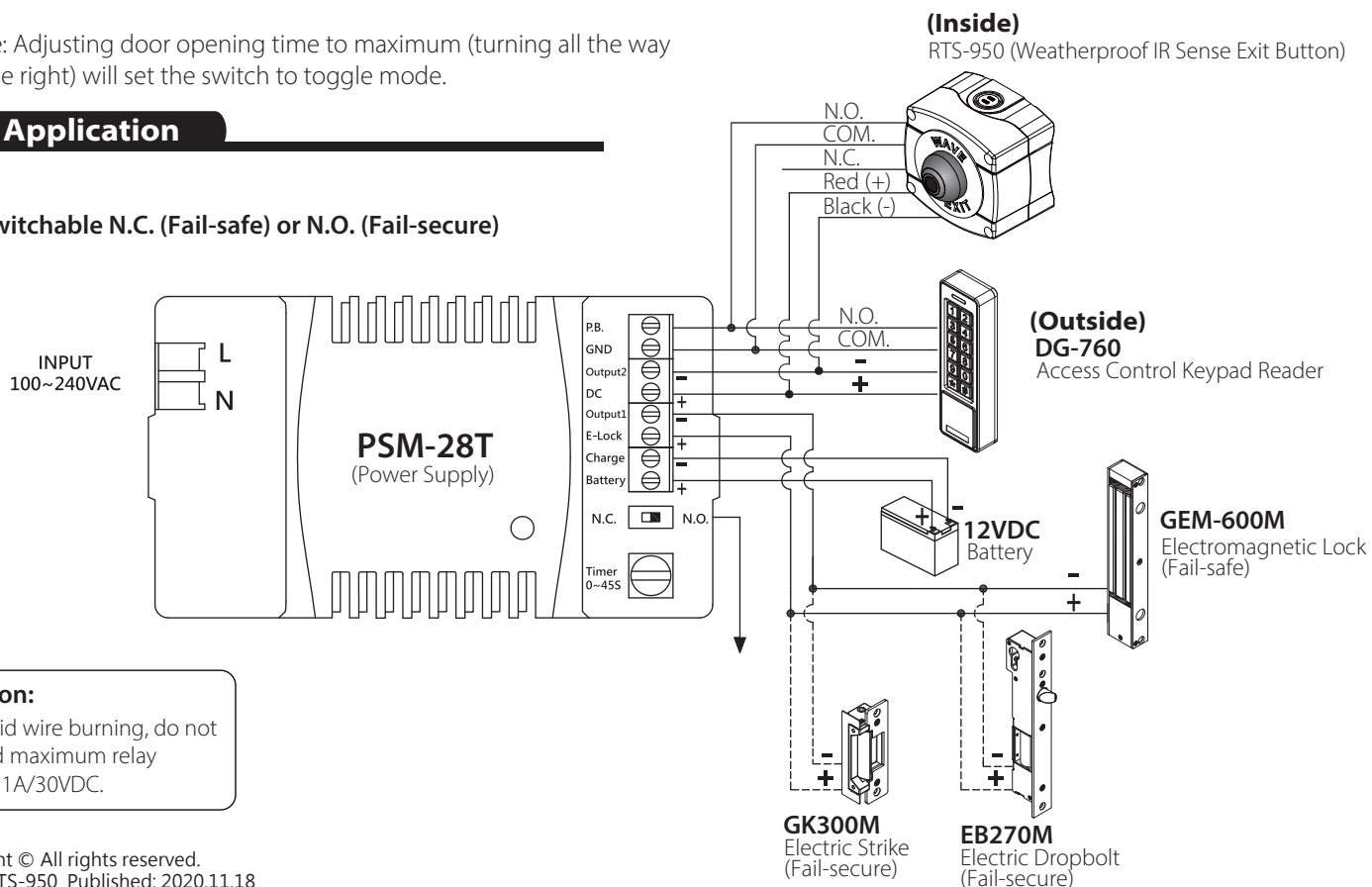
Adjusting Sensor Range & Trigger Time



Note: Adjusting door opening time to maximum (turning all the way to the right) will set the switch to toggle mode.

Application

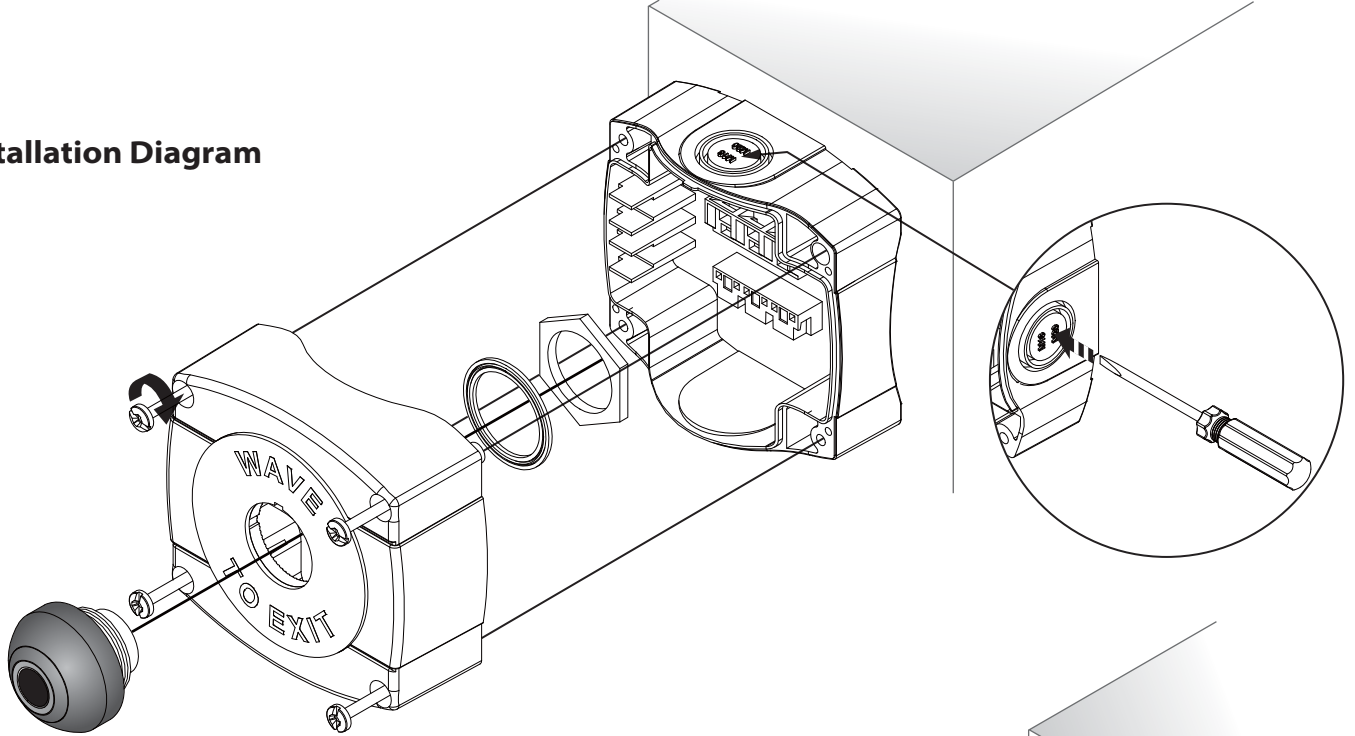
Switchable N.C. (Fail-safe) or N.O. (Fail-secure)



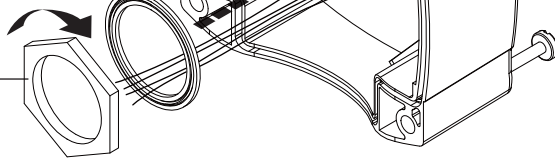
Caution:

To avoid wire burning, do not exceed maximum relay rating: 1A/30VDC.

Installation Diagram

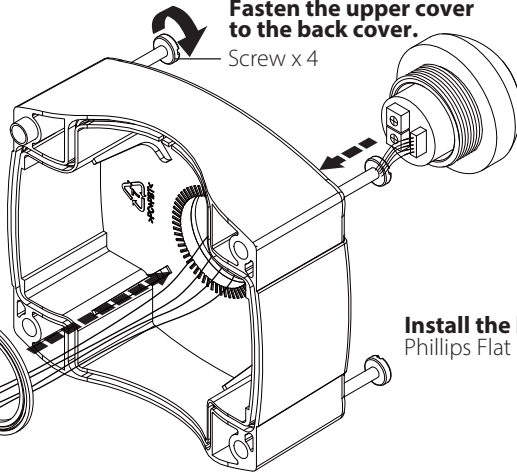


Install the switch to the cover.
Fix the ring.



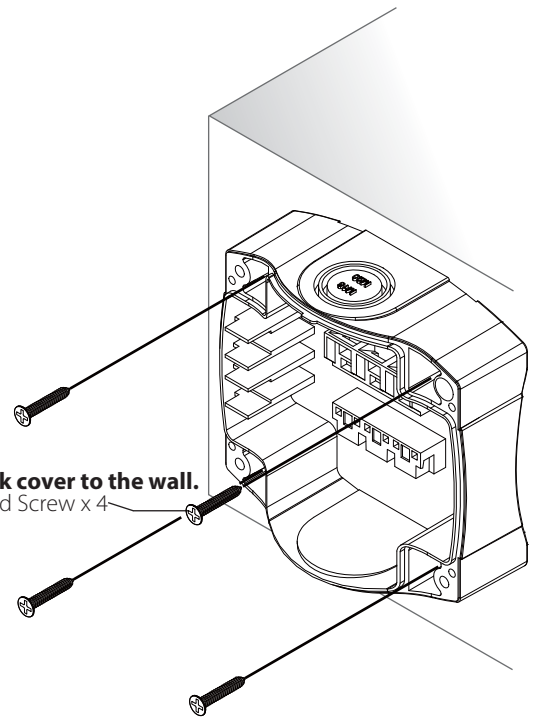
Fasten the upper cover to the back cover.

Screw x 4

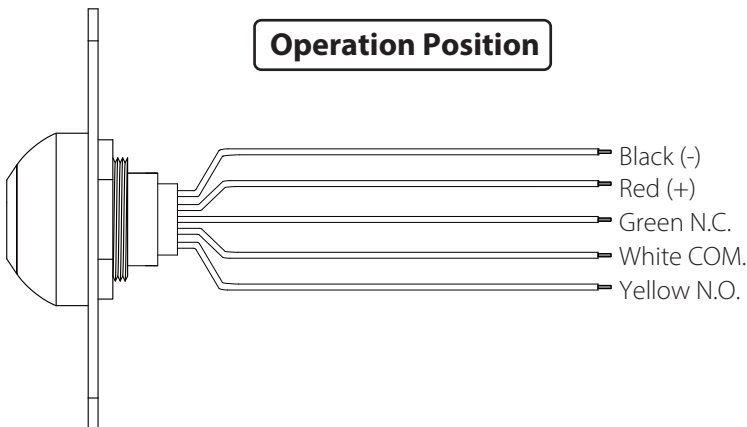


Install the back cover to the wall.

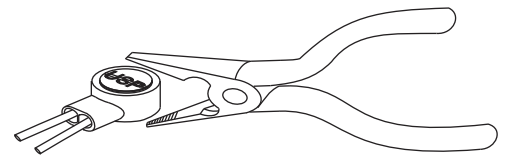
Phillips Flat Head Screw x 4



Operation Position



Butt Splice (IDC) Connector



Using crimper or pliers and pressing the header of connector down to even position.

Warranty

The product is warranted against defects in material and workmanship while used in normal service for a period of 1 year from the date of sale to the original customer. The GEM policy is one of continual development and improvement; therefore GEM reserves the right to change specifications without notice.