

# Electromagnetic Cabinet Lock Installation Instructions

## GL-80F Series

GL-80F-12, GL-80F-24, GL-80F-1224, GL-80FR-12, GL-80FR-24

This compact GL-80F series electromagnetic cabinet lock is ideal for swing cabinets, drawers, lockers and safes. It provides asset protection and suits a wide range of cabinet applications and can be mounted vertically or horizontally.

### Specifications

<b>Operating Voltage</b>	12 or 24VDC, dual 12/24VDC
<b>Current Draw</b>	120mA/12VDC, 60mA/24VDC
<b>Operating Temperature</b>	-10~55°C (14~131°F)
<b>Humidity</b>	0~95% non-condensing
<b>Holding Force</b>	80 lbs (36 kg)
<b>Lock Mode</b>	Fail-safe
<b>Finish</b>	Stainless steel
<b>Dimensions</b>	Magnet: 70 x 38 x 26 mm Armature Plate: 80 x 32 x 18.5 mm

Models	Voltage	Monitoring (Bond Sensor)
GL-80F-12	12 VDC	No
GL-80F-24	24 VDC	No
GL-80F-1224	12/24 VDC	No
GL-80FR-12	12 VDC	Yes
GL-80FR-24	24 VDC	Yes

### Wiring Diagrams

#### GL-80F-12 Wiring

12 VDC

Red ——— +  
Black ——— -

#### GL-80F-24 Wiring

24 VDC

White ——— +  
Black ——— -

#### GL-80F-1224 Wiring

12 VDC      24 VDC

Red ——— +      Red ——— +  
White ——— —      White ——— —  
Black ——— —      Black ——— —  
Green ——— -      Green ——— -

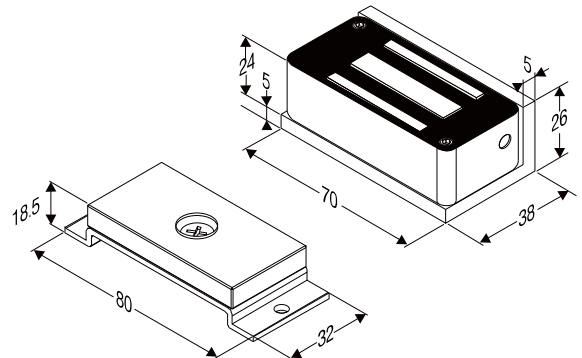
#### GL-80FR Wiring

12 or 24 VDC

Red ——— +  
Black ——— -  
Green ——— COM.  
White ——— N.O.

### Dimensions

Unit: mm



### Installing the Crimp Connectors:

Crimp connectors are provided to make wiring connections easier and more reliable. To install the connectors:

1. Insert the wires into the connector.
2. Use a crimping tool or pliers to evenly press down on the head of the connector.

