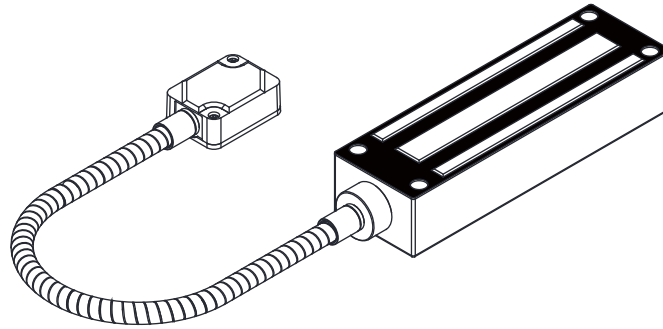
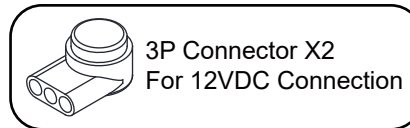
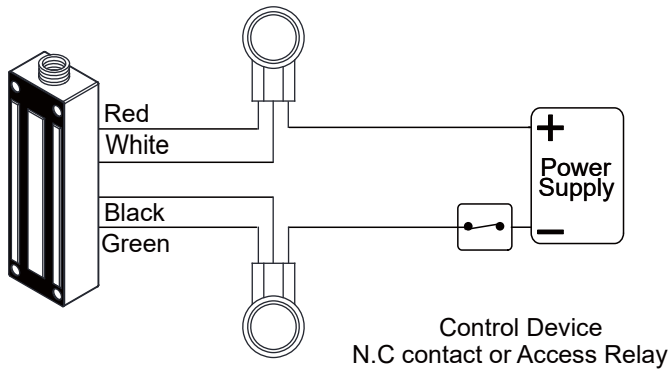


# ADL Series Armoured Cable Conduit Installation Instructions

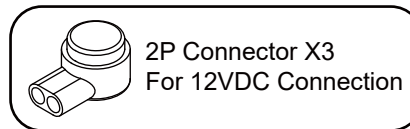
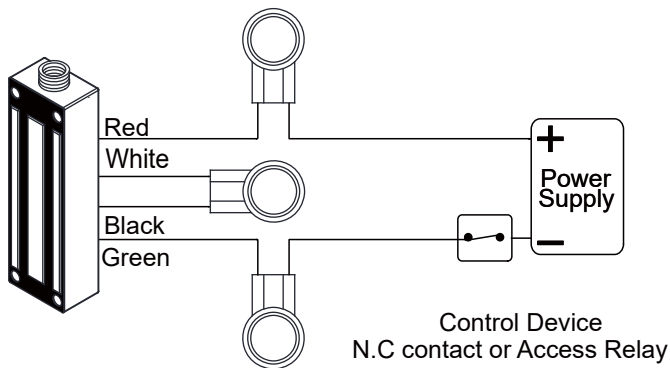
## Wiring Diagrams



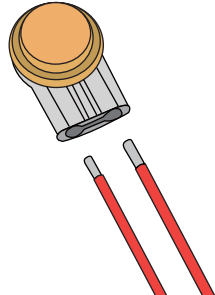
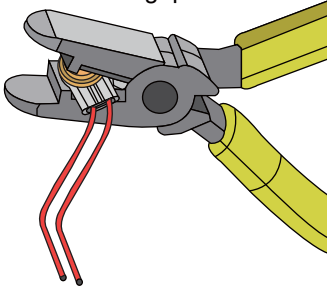
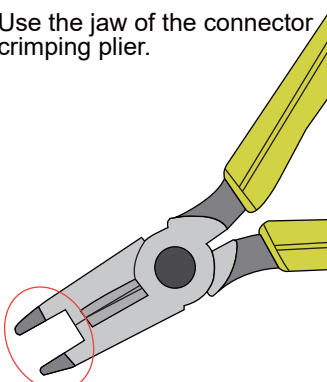
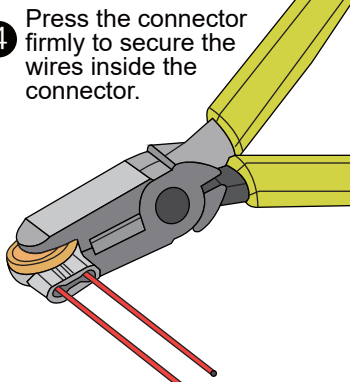
### Parallel Connection: 12VDC



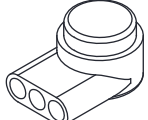
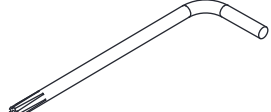
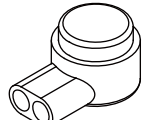
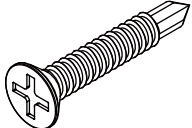
### Series Connection: 24VDC



## How to Use Wire Connectors

|  |   |
|--|---|
| <p><b>1</b> Insert the wires into the connector.</p>          | <p><b>2</b> Use the pipe grip section of a connector crimping plier to gently press open the connector to grip the wires.</p>  |
| <p><b>3</b> Use the jaw of the connector crimping plier.</p>  | <p><b>4</b> Press the connector firmly to secure the wires inside the connector.</p>   |

## Screw Package Components

|   |   |
|---|---|
| <p>3P Connector</p>  | <p>Precision Torx Wrench</p>     |
| <p>x 2</p>  | <p>x 1</p>  |
| <p>2P Connector</p>  | <p>Flat head drilling screw</p>  |
| <p>x 3</p>  | <p>x 2</p>  |