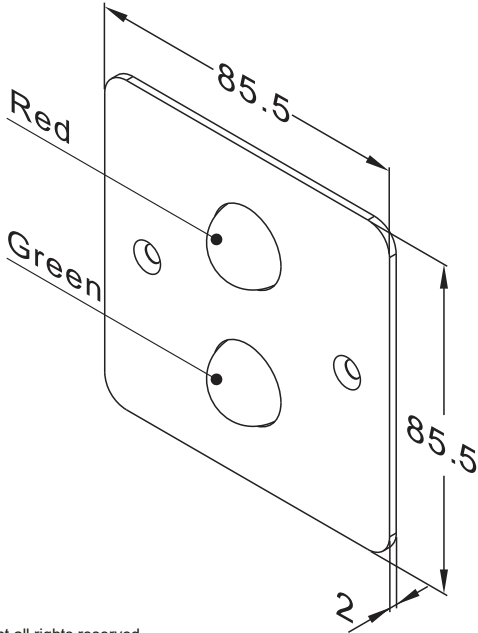


TLM-200TB Door Status Indicator

Specifications

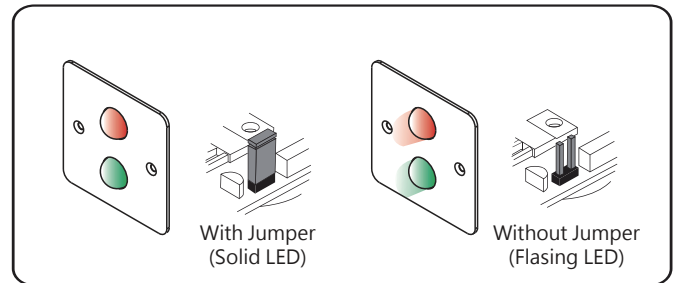
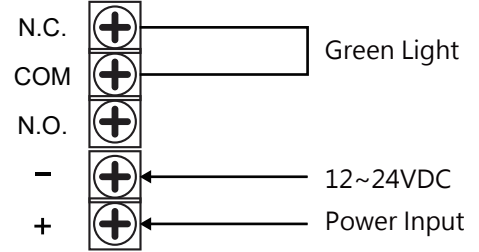
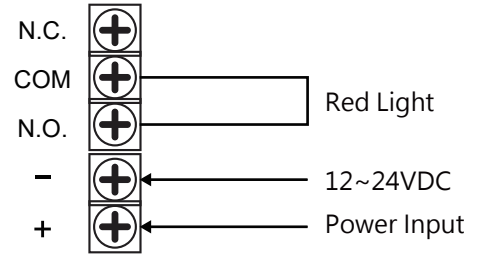
- Operating Voltage: 12~24VDC
- Current Draw: 40mA/12VDC
70mA/24VDC

Dimensions



Copyright all rights reserved
P-MU-TLM200TB Published:2021.10.01

LED Illumination Wiring

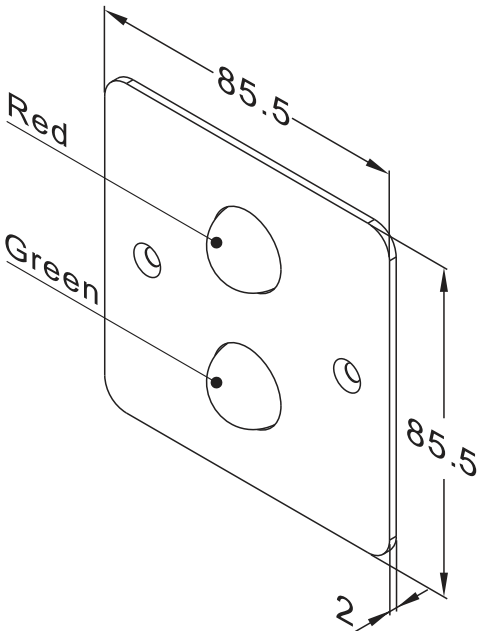


TLM-200TB Door Status Indicator

Specifications

- Operating Voltage: 12~24VDC
- Current Draw: 40mA/12VDC
70mA/24VDC

Dimensions



Copyright all rights reserved
P-MU-TLM200TB Published:2021.10.01

LED Illumination Wiring

