

DG-850TH

Touch Panel Keypad Operation Manual



Specifications

Operating Voltage	12VDC
Current Draw	Active: 90mA/12VDC, Standby: 70mA/12VDC
Keypad	12-key blue backlit keypad (0~9, *, #)
LED Status Indication	3 LED indicators display (Red/Green/Blue)
Input	1 Contact for Request-To-Exit button 1 Contact for door reed switch
Output	2 SSRs (Dry contacts: N.O./N.C./Com.)
SSR Contact Current	2A/12VDC
SSR Output Time (Relock Time)	01~99 seconds or Toggle Mode (00)
Memory Volume	20+1 PINs (* 01~ * 021) SSR 1 is controlled by user * 01~ * 20 SSR 2 is controlled by user * 21 Code: SSR 1 (* 30); SSR 2 (* 31)
EPROM	Non-volatile memory protects programmed information in case of power loss.
Ambient Humidity	0%~95% (Non-condensing)
Operating Temperature	-20°C~+70°C

LED Indicators & Keypad Sounds

LED	Green On	Enter programming mode
	Red On	SSR 1 active
	Blue On	SSR 2 active
Beep	1 Beep	Valid key press
	2 Beeps	Enter, exit programming mode
	3 Beeps	Incorrect operation
	5 Beeps	Master Code back to 12345 (Clear all PINs)

A. Operation Instructions

a - Enter Programming Mode

Enter the master code twice (Default value: "1234" or "12345") to enter programming mode (2 beeps)

Note: 1. After 60 seconds if no data entered, the keypad will automatically exit the programming mode.

2. The controller will be locked for 60 seconds upon 30 consecutive wrong master code entries.

b - Add New PINs

1. Enter programming mode.

2. Enter slot position * 01~ * 21.

3. Enter the PINs (1 beep).

4. Repeat, or press "#" to exit programming mode.

SSR 1 is controlled by the slot position * 01~ * 20.

SSR 2 is controlled by the slot position * 21.

Note: "00000", "1234", "12345" and master code cannot be used as PINs.

c - Set SSR Output Time

1. Enter programming mode.

2. Press * 30 (or * 31).

3. Press 05 (01~99) (1 beep).

Press 05 will set the SSR to 5 seconds. Set toggle mode by pressing "00".

4. Press "#" to exit programming mode.

Note: In Toggle mode, the SSR will switch between N.C. contact and N.O. contact by entering PIN once.

d - Delete PINs

1. Enter programming mode.

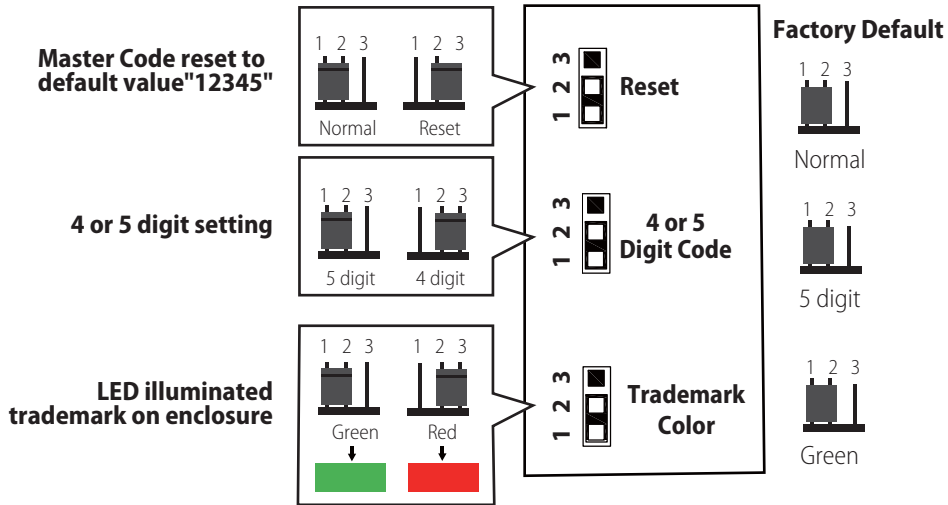
2. Press * 06 (if * 06 slot position is to be deleted).

3. Press 0000 (or 00000) (1 beep).
4. Press “#” to exit programming mode.

e - Change Master Code

1. Enter programming mode.
2. Press * 00.
3. Enter new master code (1 beep).
4. Press “#” to exit programming mode.

B. Jumper Settings

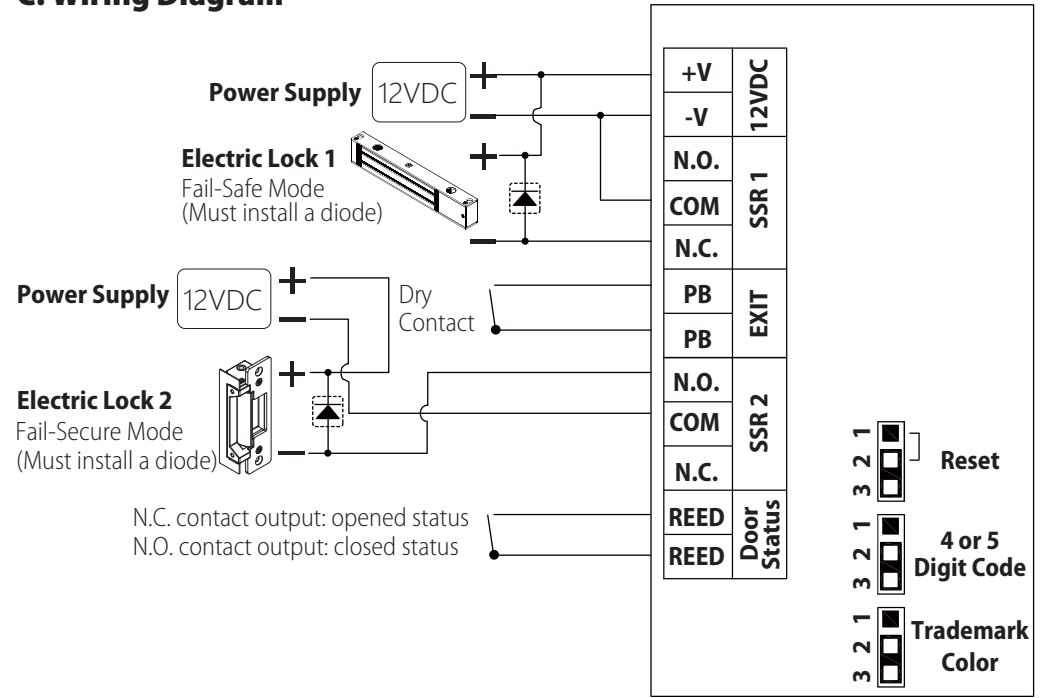


1. Reset Master Code to default value "12345":
 - a. Insert the jumper into **2-3** (5 beeps).
 - b. Master Code is reset to default value.
 - c. Insert the jumper into **1-2**.
2. Clear All PINs:
 - a. Reset Master Code to default value (5 beeps, clearing all PINs).
 - b. Insert the jumper into **1-2**.
3. Set 4 or 5 Digit Code Length:

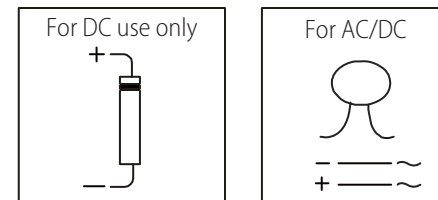
(Default value: Master code "1234" for 4 digits, "12345" for 5 digits. It's suggested to clear all stored codes prior to new setting.)

 - a. Place the 4 or 5 digit selection jumper at the desired position.
 - b. Follow Clear All PINs procedure.
4. Change Trademark Color:
 - a. Red: Insert the jumper into **2-3**. Turn off power and on again and trademark color changes to red.
 - b. Green: Insert the jumper into **1-2**. Turn off power and on again and trademark color changes to green.

C. Wiring Diagram



*** The door strike or SSR must have a diode or varistor across the door strike terminals to suppress the back EMF of the strike – failure to do so will damage the SSR contacts and electronic components, or even burns the controller.**



Note:

Additional input for anti-tailgating function to ensure high security access control. The function is unavailable for Toggle Mode (00).

Warranty

The product is warranted against defects in material and workmanship while used in normal service for a period of 1 year from the date of sale to the original customer. The GEM policy is one of continual development and improvement; therefore GEM reserves the right to change specifications without notice.