

Shear Locks

Shear Aligning Electromagnetic Lock

Hidden Strength at Any Angle
with Its Flexible Mounting Options Solutions



GS200



GS705

(Includes door position sensor)



GS250



GS705N

GEM shear locks offer totally concealed mechanism and are designed for applications where the door swings up to a 180 degree. When the shear lock detects the door in the closed position, the magnet “sucks” the armature plate up and traps the armature plate in the lock frame. Generally a 2 -3 mm gap between the top of the door and the frame is optimum for the electromagnet to attract the armature plate and keep the door locked.

The built-in bond sensor indicates proper armature contact, and eliminates potential lock misalignment before the magnet is permitted to energize.

Standard Features

- Suitable for narrow frames, double swing doors and glass doors
- Fail-safe
- Horizontal or vertical installation
- Surface /Mortise/Semi-Mortise mounted
- Bond sensor indicates door is locked or unlocked (GS200 is available with optional bond sensor)
- Adjustable armature screws for wide door gaps
- Special push-off device on armature ensures no residual magnetism













Optional Features

- Mounting brackets available for easy installation (For GS200, GS705-35)

Patents, Approvals, and Listings

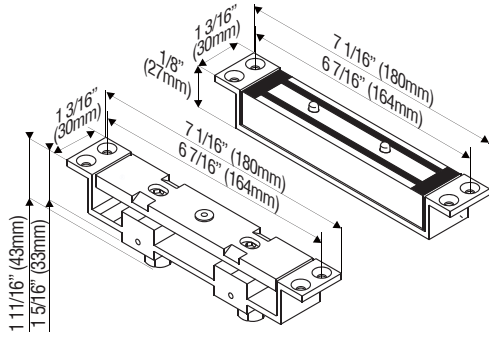
- UL listed: BP9692 (GS200, GS200M)
- CE : EC3D0909-02

Shear Locks

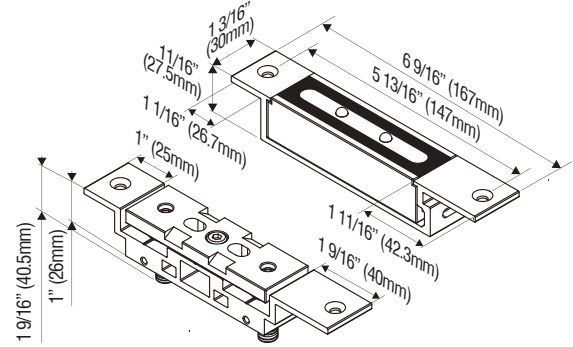
Models		Voltage (VDC)	Current Draw	Bond Sensor	Holding Force (lbs.)	Relock Time Delay	Door Gap	Mount	Mounting Brackets				
GS200	 	12/24	420mA/12VDC 210mA/24VDC	—	1200	—	1/16" (2mm)	Mortise, Semi-Mortise, Surface	SMB-200 (Optional)				
GS200M	 	12/24	420mA/12VDC 210mA/24VDC	●	1200	—	1/16" (2mm)	Mortise, Semi-Mortise, Surface	SMB-200 (Optional)				
GS200VGL	 	12/24	420mA/12VDC 210mA/24VDC	—	1200	—	1/16" (2mm)	Surface	SMB-200 UBK-182				
GS200MVGL	 	12/24	420mA/12VDC 210mA/24VDC	●	1200	—	1/16" (2mm)	Surface	SMB-200 UBK-182				
GS250		12/24	500mA/12VDC 250mA/24VDC	—	1200	—	1/16" (2mm)	Mortise	—				
GS250MDT		12/24	500mA/12VDC 250mA/24VDC	●	1200	●	1/16" (2mm)	Mortise	—				
GS250S		12/24	500mA/12VDC 250mA/24VDC	—	1200	—	1/16" (2mm)	Surface	SMB-300				
GS250MDT-S		12/24	500mA/12VDC 250mA/24VDC	●	1200	●	1/16" (2mm)	Surface	SMB-300				
GS250VGL		12/24	500mA/12VDC 250mA/24VDC	—	1200	—	1/16" (2mm)	Surface	SMB-300 UBK-182				
GS250MDT-VGL		12/24	500mA/12VDC 250mA/24VDC	●	1200	●	1/16" (2mm)	Surface	SMB-300 UBK-182				
GS705-30		12 to 24	<table border="1"> <tr> <th>Pull in</th> <th>Holding</th> </tr> <tr> <td>1.8A/12VDC 1.1A/24VDC</td> <td>0.45Amp/12VDC 0.25Amp/24VDC</td> </tr> </table>	Pull in	Holding	1.8A/12VDC 1.1A/24VDC	0.45Amp/12VDC 0.25Amp/24VDC	●	2000	1~6 sec. (Default 3 sec.)	1/8" (3mm)	Mortise	—
Pull in	Holding												
1.8A/12VDC 1.1A/24VDC	0.45Amp/12VDC 0.25Amp/24VDC												
GS705-35		12 to 24	<table border="1"> <tr> <th>Pull in</th> <th>Holding</th> </tr> <tr> <td>1.85A/12VDC 1.1A/24VDC</td> <td>0.45Amp/12VDC 0.25Amp/24VDC</td> </tr> </table>	Pull in	Holding	1.85A/12VDC 1.1A/24VDC	0.45Amp/12VDC 0.25Amp/24VDC	●	2200	1~6 sec. (Default 3 sec.)	1/8" (3mm)	Surface, Mortise, Semi-Mortise	SMB-001 (Optional)
Pull in	Holding												
1.85A/12VDC 1.1A/24VDC	0.45Amp/12VDC 0.25Amp/24VDC												
GS705-35TD		12 to 24	<table border="1"> <tr> <th>Pull in</th> <th>Holding</th> </tr> <tr> <td>1.85A/12VDC 1.1A/24VDC</td> <td>0.45Amp/12VDC 0.25Amp/24VDC</td> </tr> </table>	Pull in	Holding	1.85A/12VDC 1.1A/24VDC	0.45Amp/12VDC 0.25Amp/24VDC	●	2200	1~15 sec. (Default 3 sec.)	1/8" (3mm)	Surface, Mortise, Semi-Mortise	SMB-001 (Optional)
Pull in	Holding												
1.85A/12VDC 1.1A/24VDC	0.45Amp/12VDC 0.25Amp/24VDC												
GS705N-30		12/24	420mA/12VDC 210mA/24VDC	●	1200	—	1/16" (2mm)	Mortise	—				

Dimensions

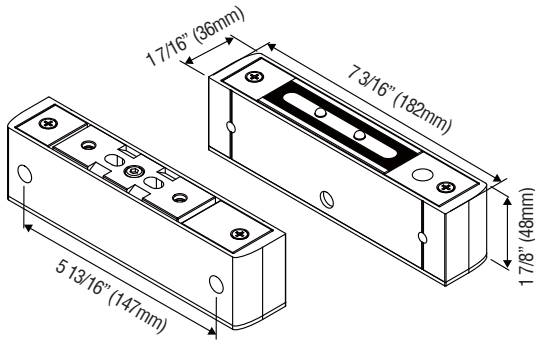
GS200



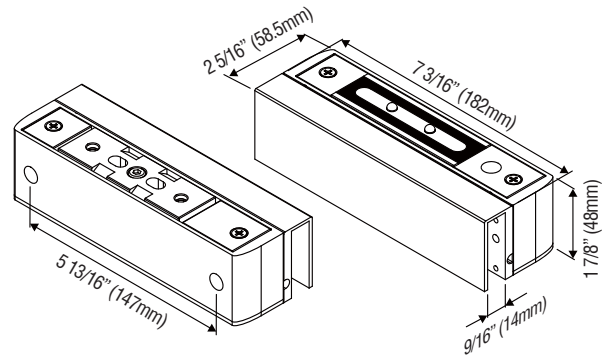
GS250/GS250MDT



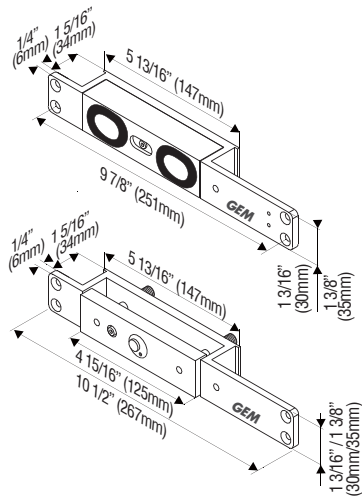
GS250S/GS250MDT-S



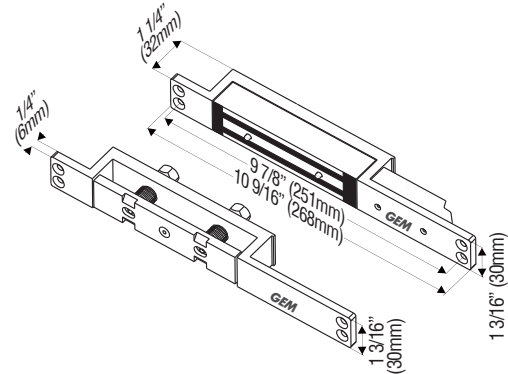
GS250VGL/GS250MDT-VGL



GS705-30/35/35-TD



GS705N-30



Surface Mount Models & Mounting Brackets

Glass thickness: 3/8"~1/2" (10~12mm)

GS200S/GS200MS	GS200VGL/200MVGL (For Glass Doors and Walls)	SMB-001
<p>GS200 + SMB-200 bracket</p> 	<p>GS200 + SMB-200 bracket + UBK-182 bracket</p> 	<p>Optional mounting brackets for GS705-35/ 35TD</p> 

GS250S/GS250MDT-S	GS250VGL/GS250MDT-VGL (For Glass Doors and Walls)
<p>GS250MDT + SMB-300 bracket</p> 	<p>GS250MDT + SMB-300 bracket + UBK-182 bracket</p> 

Warranty

The product is warranted against defects in material and workmanship while used in normal service for a period of 5 years from the date of sale to the original customer. The GEM policy is one of continual development and improvement; therefore GEM reserves the right to change specifications without notice.