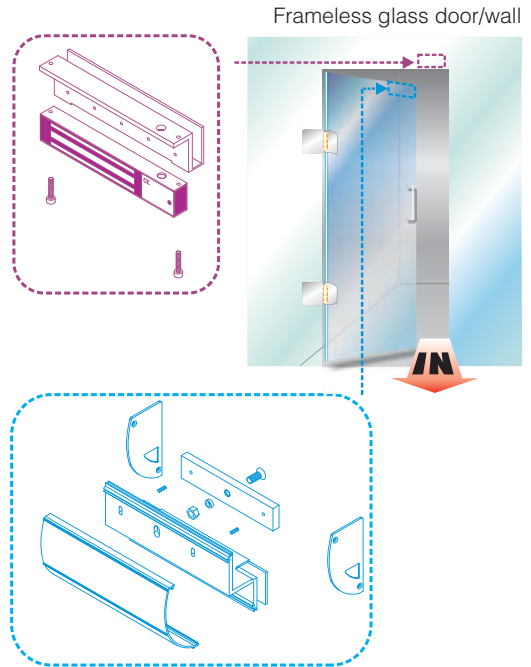
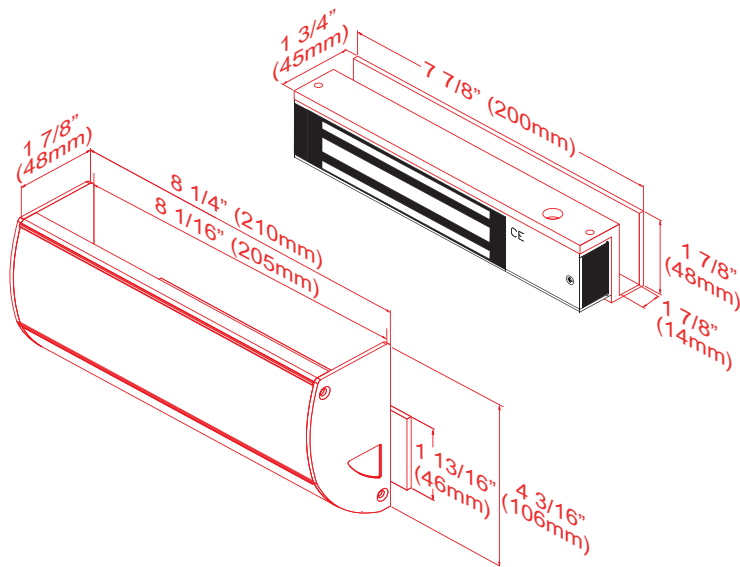


For Frameless Glass Doors & Walls

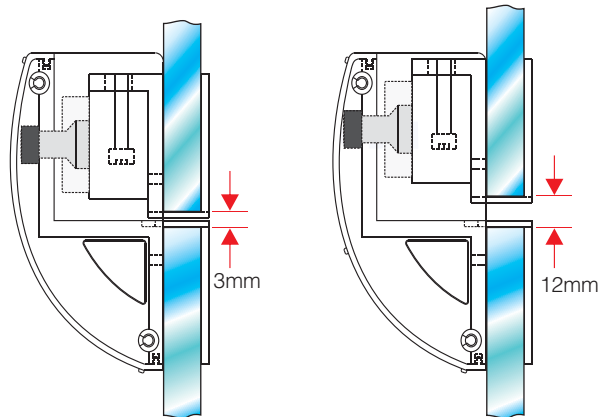
MG-300LZ Bracket Kit



Application of the Electromagnet: EM-150



MG-300LZ Brackets are designed for EM-150 Electromagnetic Lock to be installed on full frameless glass doors. The lock and the armature plate are wrapped up by the brackets to make the lock aesthetically appealing.



The thickness of glass should be 10~13 mm and the position of armature plate and electromagnet can be adjusted depending on the door gap ranging from 3 mm to 12 mm.



Electromagnets are installed on frameless glass walls while armature plates are installed on frameless glass doors to create an elegant appearance.