

Electromagnetic Locks

Weatherproof Series

The Ultimate in GEM Electromagnetic Locks
for Indoor/Outdoor Security



The GEM family of Weatherproof series electromagnetic locks are specifically designed for high profile openings that require less obtrusive surface mount lock with aesthetically superior appearance. All of them have a stainless steel housing and are sealed with fire-rated epoxy for weatherproof operation. They are available for surface and face mount installations with a wide range of brackets for an easy installation on any kind of doors and door frames.

The smallest GL-80F series is specially designed for closets, cabinets, drawers or lockers applications for security and ease of life.

Standard Features

- Weatherproof, stainless steel housing
- MOV prevents spike and surge current
- No residual magnetism
- For indoor/outdoor security

Standard Options

- Built-in bond sensor
- Built-in door status sensor

Patents, Approvals, and Listings

- UL 10B, UL 10C, ULC S104 listed: R21198
- UL 1034 & 294 listed: SA44784 (GL-1200S, GL600-S related models)
- CE: EC2N0802, EC2N0803, EC2N0804, EC2N0805, EC2N0807, EC2N0809
- GL-80FR Series tested and passed IEC 60079 Explosive Atmosphere Standards (IEC 60079-0:2017, IEC 60079-18:2014, IEC 60079-31:2022)

New Style Mounting Plate Design (For N10001ST/N10010ST/GL1200-FS-IOTB)

New style mounting plate thickness is increased at each end where screw is attached to secure the magnet. 2 Types of new style mounting plate are available.

Features

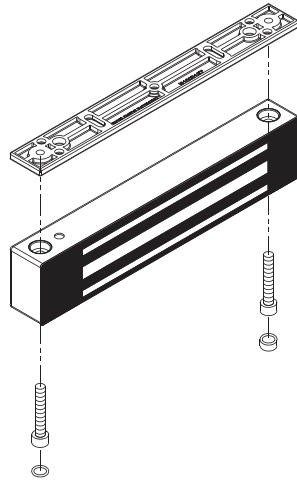


Mounting plate thickness is increased to 10 mm at the screw hole at each end.

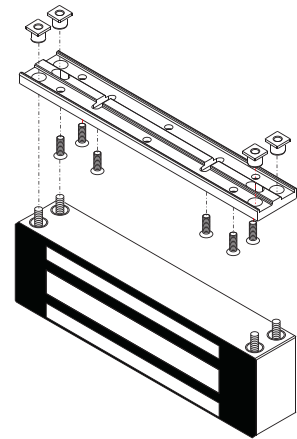


Stainless steel screw nuts are included and attached as above to reinforce the mounting plate.

New Style Mounting Plate For N10001ST



New Style Mounting Plate For N10010ST/GL1200-FS-IOTB



Functions for Weatherproof Series Electromagnetic Locks

Armature Design

Mechanical kick-off device on armature plate ensures no residual magnetism.

Bond Sensor (Option)



Indicates door locked and unlocked.

SPDT (NC/COM/NO) or SPST (NO/COM) rated: 0.5A/20VDC

Door Status Sensor (Option)

Indicates door open and closed. Rated: 0.2A/12VDC

Weatherproof Series Face Mount Electromagnetic Locks

Models	Holding Force (lbs)	Voltage (VDC)	Current draw	Optional Brackets			
				Narrow Frame/Outswing Door	Inswing Door	Glass Door	Sliding Door
GL-80F	80	12 or 24 Dual 12/24	120mA/12VDC, 60mA/24VDC	—	—	—	—
10003F	300	12 or 24	300mA/12VDC, 260mA/24VDC	—	Z-150	GLZ-150-10 GLZ-150-12	—
GL600-F GL600M-F 	600	12, 24 or dual 12/24	500mA/12VDC, 250mA/24VDC	—	Z-GL600	—	—
GL850 GL850M	800	12, 24 or dual 12/24	340mA/12VDC, 250mA/24VDC 500mA/12VDC, 250mA/24VDC	—	Z-300N	—	—
GL-1200F 	1200	12, 24 or dual 12/24	460mA/12VDC, 250mA/24VDC 500mA/12VDC, 250mA/24VDC	—	Z-500N	—	L-1200
GL-1800F-IOTB	1800	Dual 12/24	500mA/12VDC, 250mA/24VDC	—	Z-GL1800	—	—
GL-1800FM-IOTB-12	1800	12	500mA/12VDC, 250mA/24VDC	—	Z-GL1800	—	—

Notes:

Standard models are all unmonitored. Models with a letter M in the model number include a bond sensor (output NO/COM/NC). For more information on optional brackets or other mounting accessories, please refer to other GEM catalogues.

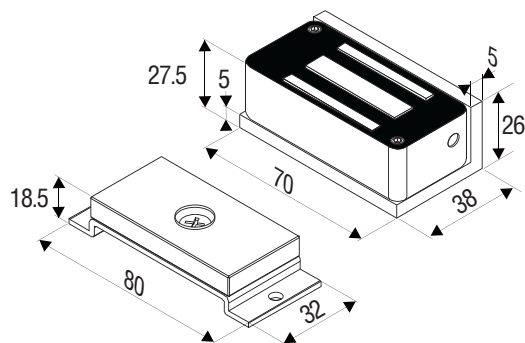
Dimensions

Face Mount Electromagnetic Locks

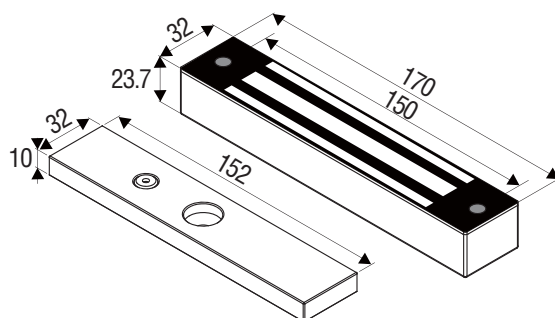
All dimensions in mm

GL-80F

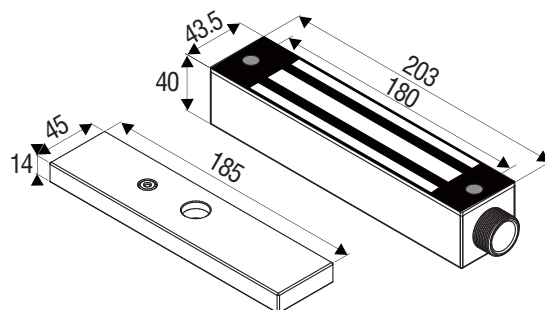
Compact design suitable for lockers, drawers, and cabinets



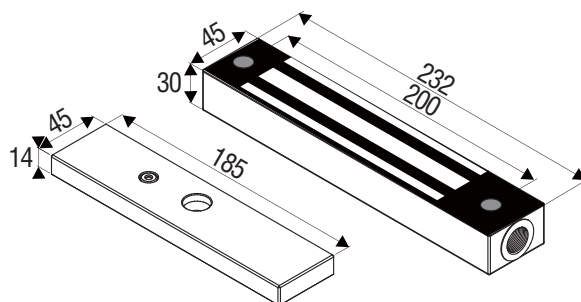
10003F



GL600-F



GL850



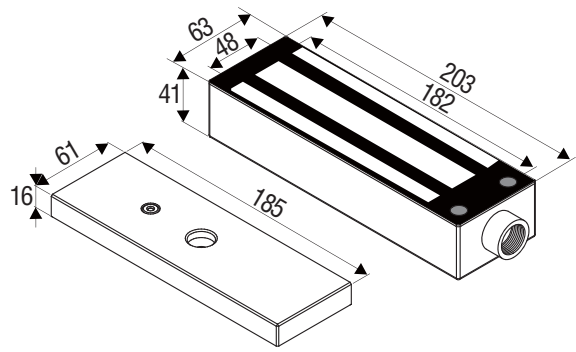
Dimensions

Face Mount Electromagnetic Locks

All dimensions in mm

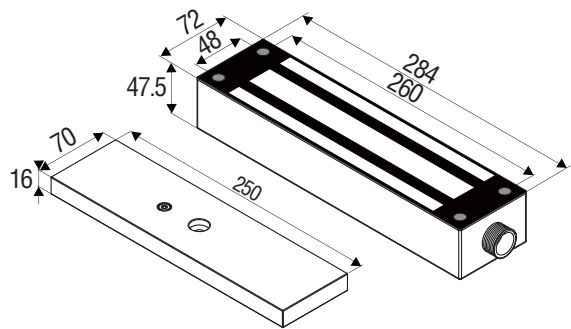
GL-1200F

Ideal for sliding doors and gates



GL-1800F-IOTB / GL-1800FM-IOTB-12






Ideal for high security locations



Warranty

The product is warranted against defects in material and workmanship while used in normal service for a period of 2 year from the date of sale to the original client. The GEM policy is one of continual development and improvement; therefore GEM reserves the right to change specifications without notice.

Weatherproof Series Surface Mount Electromagnetic Locks

Models	Holding Force (lbs)	Voltage (VDC)	Current draw	Optional Brackets			
				Narrow Frame/ Outswing Door	Inswing Door	Glass Door	Sliding Door
10003S	300	12 or 24	300mA/12VDC, 260mA/24VDC	L-150	LZ-150	GLZ-150-10 GLZ-150-12	—
N10001ST N10001STM	 600	12, 24 or dual 12/24	280mA/12VDC, 250mA/24VDC 500mA/12VDC, 250mA/24VDC	L-N10001ST	LZ-N10001ST	UBK-013	—
GL600-S	 600	12, 24 or dual 12/24	500mA/12VDC, 250mA/24VDC	L-GL600-AL L-GL600	LZ-GL600	UBK-013	—
10006S 10006S-M	800	12, 24 or dual 12/24	340mA/12VDC, 250mA/24VDC 500mA/12VDC, 250mA/24VDC	L-400	LZ-400N	UBK-013	—
EM-750 EM-750R	800	12, 24 or dual 12/24	340mA/12VDC, 250mA/24VDC 500mA/12VDC, 250mA/24VDC	L-750	LZ-750	UBK-013	—
10010ST	 1200	12, 24 or dual 12/24	460mA/12VDC, 250mA/24VDC 500mA/12VDC, 250mA/24VDC	L-600	LZ-600N	—	—
N10010ST N10010STM	 1200	12, 24 or dual 12/24	0.46A/12VDC, 0.25A/24VDC 0.5A/12VDC, 0.25A/24VDC	L-N10010ST	LZ-N10010ST	—	—
GL-1200S GL-1200MS	 1200	12, 24 or dual 12/24	460mA/12VDC, 250mA/24VDC 500mA/12VDC, 250mA/24VDC	L-600	LZ-600N	—	—
GL-1800S GL-1800MS	1800	Dual 12/24	500mA/12VDC; 250mA/24VDC	L-GL1800	LZ-GL1800	—	—

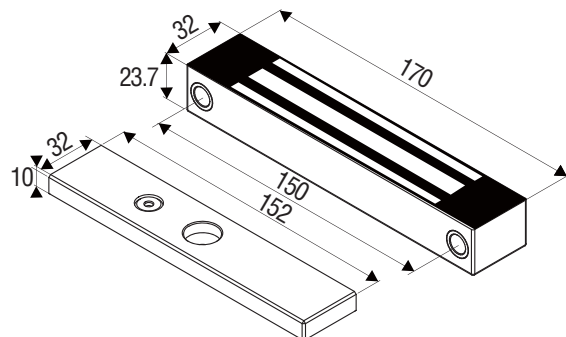
Notes:

Standard models are all unmonitored. Model with **suffix M or MS** in the model number includes a **bond sensor** (output NO/COM/NC), Model with suffix **R** in the model number includes a bond sensor (output NO/COM). For more information on optional brackets or other mounting accessories, please refer to other GEM catalogues.

Dimensions Surface Mount Electromagnetic Locks

All dimensions in mm

10003S



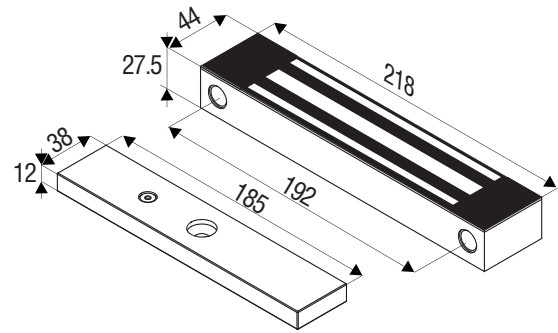
Dimensions

Surface Mount Electromagnetic Locks

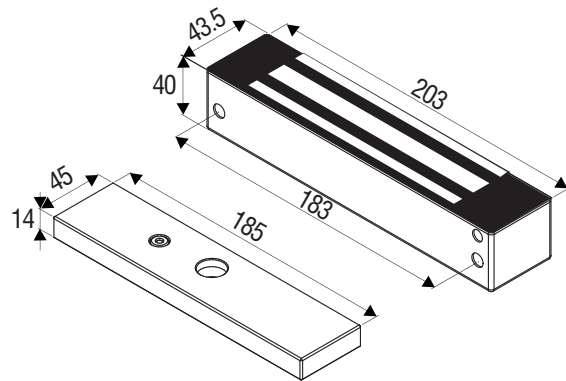
All dimensions in mm

N10001ST

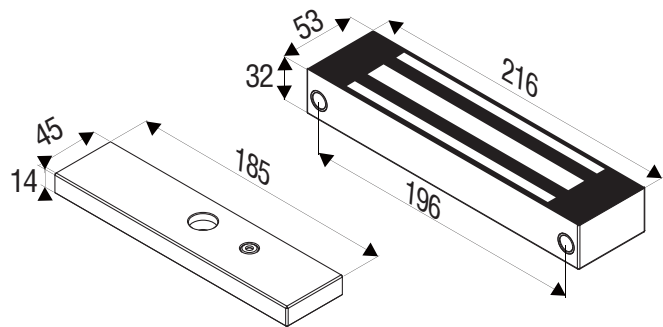
Includes new style mounting plate



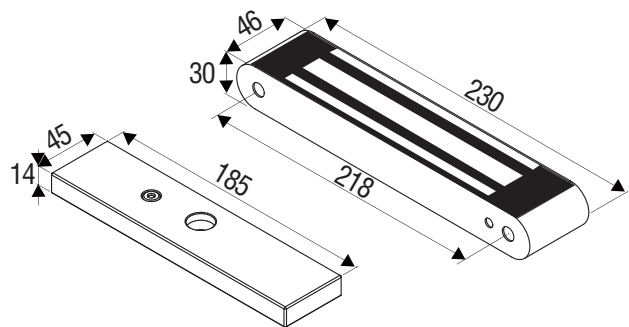
GL600-S



10006S



EM-750

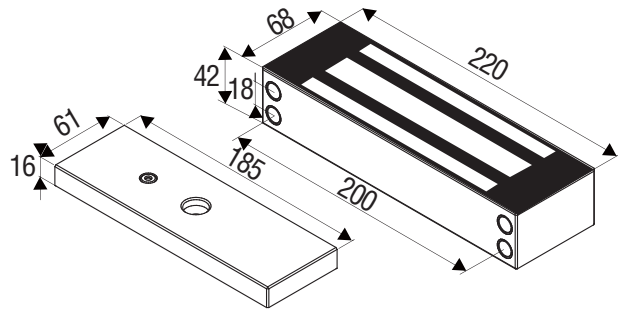


Dimensions

Surface Mount Electromagnetic Locks

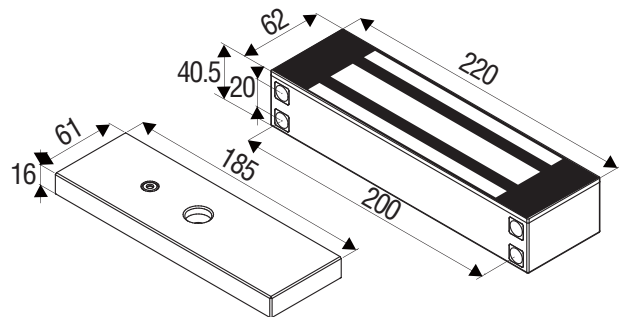
All dimensions in mm

10010ST

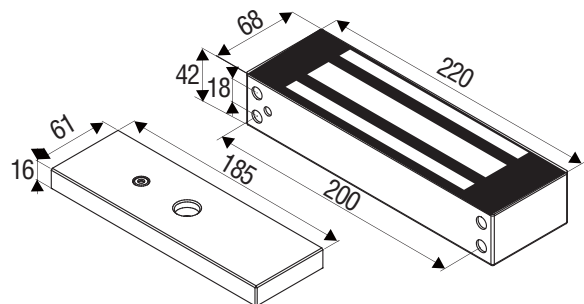


N10010ST

Includes new style mounting plate

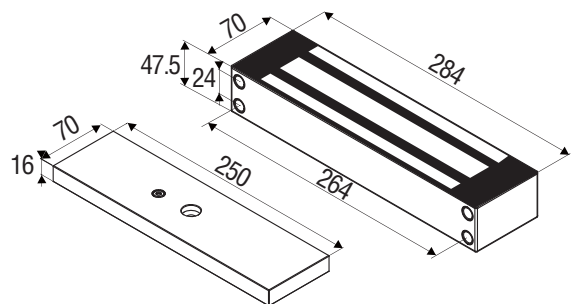


GL-1200S





GL-1800S

Ideal for high security locations



Weatherproof Series Surface/Face Mount Electromagnetic Locks

Models	Holding Force (lbs)	Voltage (VDC)	Current draw	Optional Brackets			
				Narrow Frame/Outswing Door	Inswing Door	Glass Door	Sliding Door
EM-750-2	800	12, 24, or dual 12/24	340mA/12VDC, 250mA/24VDC 500mA/12VDC, 250mA/24VDC	L-750	Z-300N	UBK-013	—
GL600-FS-IOTB  GL600M-FS-IOTB	600	12, 24, or dual 12/24	500mA/12VDC, 250mA/24VDC 500mA/12VDC, 250mA/24VDC	L-GL600-AL L-GL600	Z-GL600 LZ-GL600	—	L-GL600-F-AL
GL1200-FS-IOTB  GL1200M-FS-IOTB	1200	12, 24, or dual 12/24	500mA/12VDC, 250mA/24VDC 500mA/12VDC, 250mA/24VDC	L-GL1200FS-IOTB	Z-500N LZ-GL1200FS-IOTB	—	L-GL1200FS-IOTB

Notes:

Standard models are all unmonitored. Models with a letter **M** in the model number include a **bond sensor** (output NO/COM/NC). For more information on optional brackets or other mounting accessories, please refer to other GEM catalogues.

Warranty

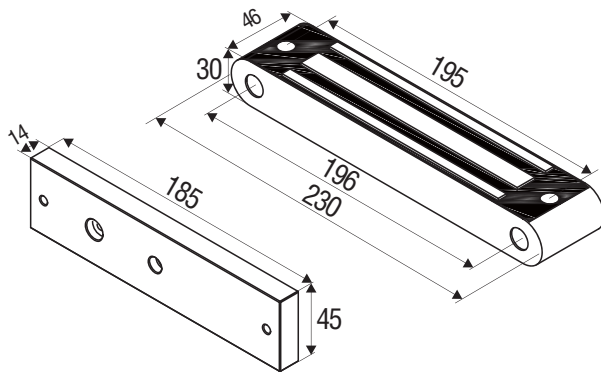
The product is warranted against defects in material and workmanship while used in normal service for a period of 5 years from the date of sale to the original customer. The GEM policy is one of continual development and improvement; therefore GEM reserves the right to change specifications without notice.

Dimensions

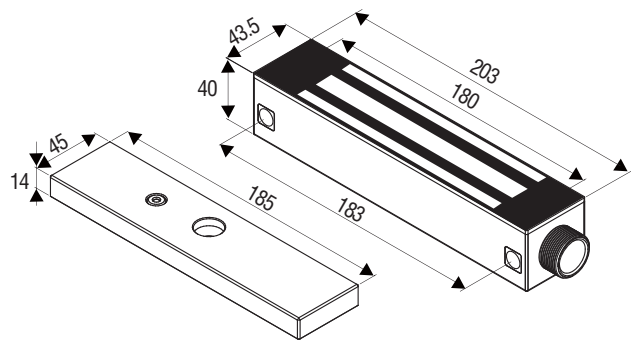
Face Mount/Surface Mount Electromagnetic Locks

All dimensions in mm

EM-750-2



GL600-FS-IOTB



GL1200-FS-IOTB

