

# Online Networked System / Standalone **ST-630E**

## Multi-Function Networked Access Controller



**ST-630E**  
Standalone/Online  
Proximity Keypad Controller



**485-T0-USB**  
Optional RS485  
Converter (For  
Computer USB port)



**485-T0-TCP/IP**  
Optional RS485  
Converter (For  
computer TCP/IP port)



**SMB-101-BA**  
**SMB-101-WI**  
ANSI Standard  
Single Gang Back Boxes  
(Option)

### ST-630E Features

- 1000 users, 4 digit PIN codes
- Auto rest function
- Security system settings enabled /disabled
- Synchronizes with security system
- Anti-passback
- 3 Access modes: Card **only**, Card **or** Card, and Card **with** Code
- Alarm outputs: Duress, Door Ajar, Forced Entry
- Red, green and yellow LEDs for status and programming feedback
- Request to Exit input and door sensor input
- Timed relay outputs or latching (on/off)
- Management system software included
- Mounts to ANSI standard surface or recessed single-gang boxes (boxes optional)

### ST-630E Specifications

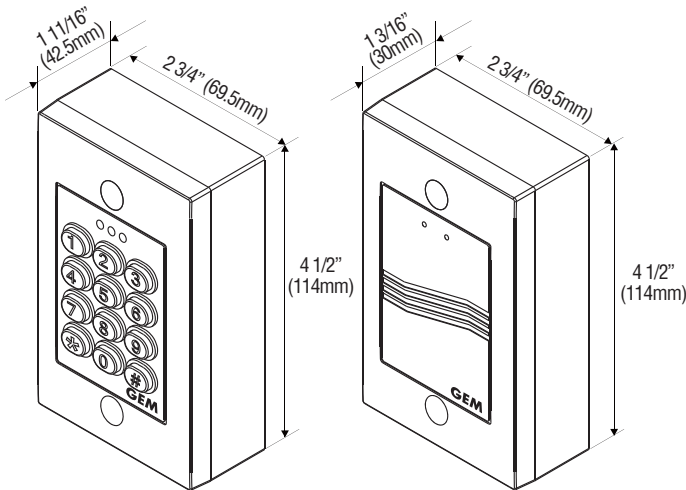
<b>Voltage</b>	12 VDC
<b>Keypad Output</b>	26-bit/34-bit Wiegand
<b>Read Range</b>	10 ~15 cm
<b>Proximity Frequency</b>	EM 125KHz
<b>Temperature</b>	23°F ~140°F (-5°C~+60°C)
<b>Humidity</b>	5% ~95% Non-condensing
<b>Color</b>	Black/White
<b>Dimensions</b>	Mortise mount: 2 3/4" x 4 1/2" x 3/8" (69.5 Wx114 Hx10 D mm) Surface mount: 2 3/4" x 4 1/2" x 1 9/16" (69.5 W x 114 H x 40 D mm)
<b>Interface</b>	RS485

# Optional Proximity Readers & Keypads

## Standard Prox Readers & Keypads

### GEMPROX-630EM-KP GEMPROX-630EM

- Voltage: 10~14 VDC
- Current: 50mA/12VDC
- Frequency: EM125 KHz (EM-400x chip compatible)
- Output: 26/34 bit Wiegand
- Read Range: 10 cm
- Housing Material: Plastic ABS
- Color: Black /White



**GEMPROX-630EM**  
Prox Readers



**GEMPROX-630EM-KP**  
Prox Keypads



**SMB-101-WI**  
**SMB-101-BA**  
ANSI Standard  
Single Gang Back Boxes  
(Option)

## Mullion Prox Readers

### GEMPROX-26M

- Voltage: 7~12VDC
- Current: 100mA/12VDC
- Frequency: Mifare 13.56 MHz
- Reader Output: 26 bit Wiegand
- Read Range: 7 cm
- Color: Black /White



**GEMPROX-26M**



**GEMPROX-E**



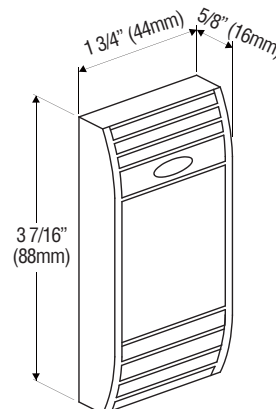
**714-60**

### GEMPROX-E

- Voltage: 12VDC
- Current: 50mA/12VDC
- Frequency: EM125KHz
- Reader Output: 26 bit Wiegand
- Temperature: -20~+70°C
- Humidity: 5~95% non-condensing
- Read Range: 6 cm
- Color: Black /White

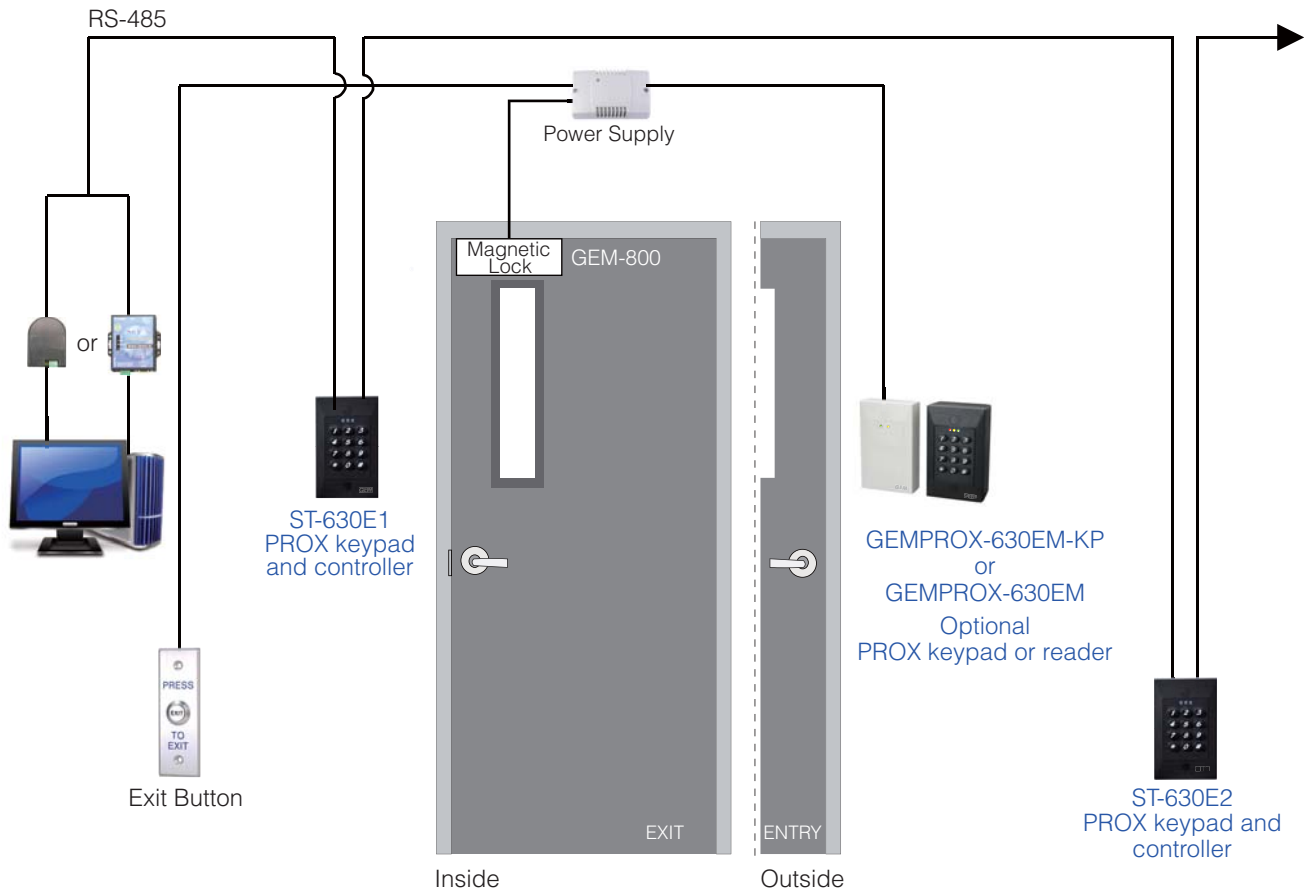
### 714-60

- Voltage: 5~13.6 VDC
- Reader Output: 26/34/44 bit Wiegand
- Frequency: Mifare 13.56 MHz
- Color: Black



# Networked Access Control System Architecture

ST-630E networked access control system is expandable and connects up to 254 ST-630E controllers with built-in RS485 interface. The maximum wiring distance is up to 500 meters.



## Warranty

The product is warranted against defects in material and workmanship while used in normal service for a period of 1 year from the date of sale to the original client. The GEM policy is one of continual development and improvement; therefore GEM reserves the right to change specifications without notice.