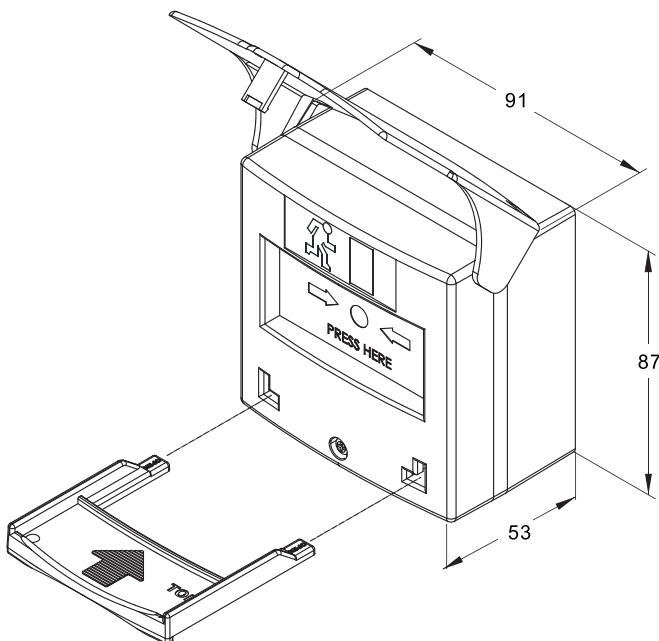




Dimensions

Unit:mm



Warranty

The product is warranted against defects in material and workmanship while used in normal service for a period of 1 year from the date of sale to the original client. The GEM policy is one of continual development and improvement; therefore GEM reserves the right to change specifications without notice.

Call Point CP-45BZ-LB

LED Backlight and Buzzer

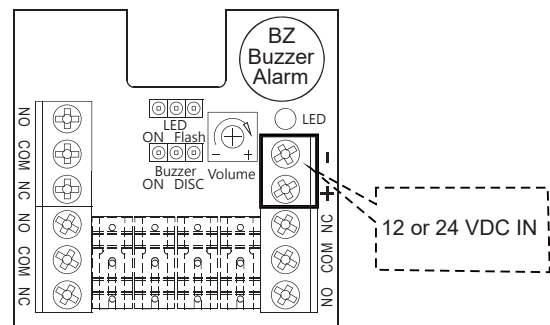
The GEM CP-45 Series Resettable Call Point features a visible exit sign with LED backlit and a reset mechanism that avoids glass shards, making it suitable for use in high traffic areas, such as schools, shopping malls, or commercial buildings.

It is designed with three sets of signal output which allows it to connect with electric locks and other accessories such as an alarm or exit button. The call point also features backlight illumination making it easy to identify in the dark.

The LED can be set to green or red or turned off. The buzzer is also volume adjustable and can be turned off if not needed.

Specifications

- Operating Voltage: 12/24VDC
- Dimensions: 87x91x53 mm (with clear cover)
- Contact Resistance: 100mΩ
- Switch Rating: 3A 125VAC / 1.5A 250VAC
- Three sets of signal output
- Backlight illumination: Green (normal state), Red (activated)
- Backlit exit sign (in sync with LED illumination)
- Built-in buzzer: 80 dB (Volume adjustable, can be turned off or set to intermittent)
- Plastic Case Color:
Green / Red / White / Yellow / Blue
- Reset key included



Settings

| Volume | Buzzer volume adjustment |
|--------|---|
| | <ul style="list-style-type: none"> Red LED continuous Green LED continuous |
| | <ul style="list-style-type: none"> Red LED flashing (one second interval) Green LED continuous |
| | <ul style="list-style-type: none"> Red LED OFF Green LED continuous |
| | <ul style="list-style-type: none"> Buzzer continuous Buzzer beeps at one second interval Buzzer OFF |

