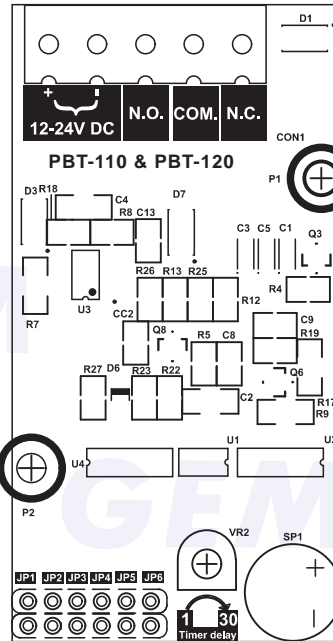


Specifications

Piezo-electric Request -To- Exit Switch PBT120 & PBT 110 Instruction Manual

Jumper Setting

Jumper	Setting	Function	Indicator
1	1 ■ ■	Relay Output COM.—N.C. (Pushed)	Relay Output COM.—N.O.
	1 ■ □	Relay Output COM.—N.O. (Pushed)	Relay Output COM.—N.C.
2	2 ■ ■	Stay on	
	2 ■ □	Flash	
3,4,5,6	3 ■ ■ ■ ■ ■ ■	No illumination (Pushed)	Red
	4 ■ ■ ■ ■ ■ ■	Red (Pushed)	No illumination
	5 ■ ■ ■ ■ ■ ■	No illumination (Pushed)	Green
	6 ■ ■ ■ ■ ■ ■	Green (Pushed)	No illumination
	3 ■ ■ ■ ■ ■ ■	Green (Pushed)	Red
	4 ■ ■ ■ ■ ■ ■	Red (Pushed)	Green



- Input Voltage: 12~24VDC
- Current Draw: 80mA/12VDC max
40mA/24VDC max
- Max. Rating: 2A/30VDC.
- Time Delay: 1 to 30 secs
- Operating Temperature: -20°C to +70°C
- Beeper sounds.
- Bi-color LED indicator (Green/Red)
- Relay output contact (COM, N.O., N.C.)

JP Setting:

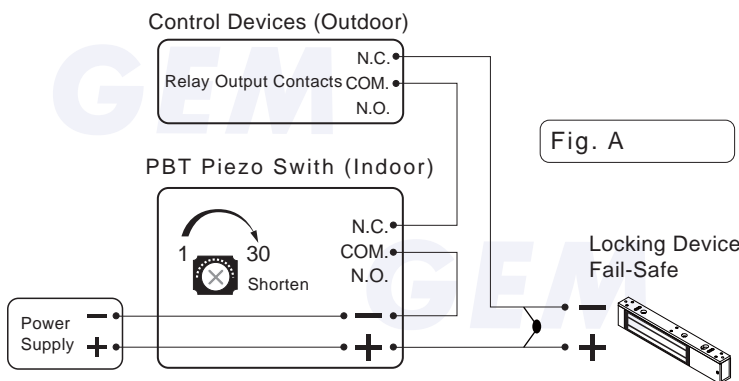
JP1: Relay Output Mode

JP2: LED Flash or Stay on setting

JP3 to JP6: Red or Green, lighting or standby

Connecting Diagram

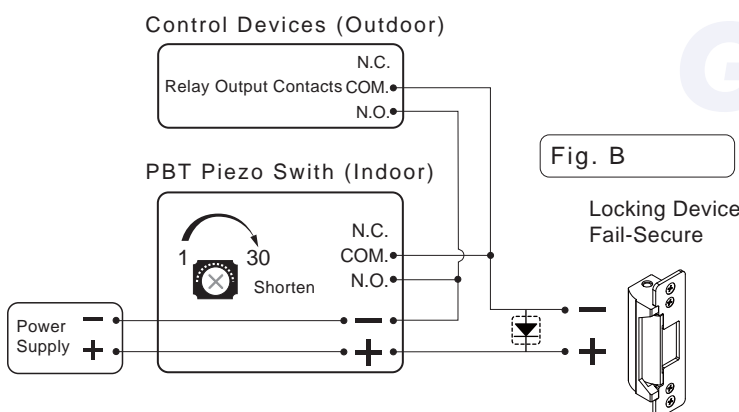
The following proposed instructions of PBT series are for security installations. The in-built N.O. & N.C. dry contacts can connect with other access control devices (electric lock, reader, digital keypad) by either parallel or series connection.



In Fig.A, The PBT controls in series with Fail-Safe electric lock. The time setting of PBT is the same as the unlocked time.

Precautions

- Please make sure the provided power is sufficient, otherwise repeated or incorrect actions might occur or internal relay might be inactive.
- Please be aware of the max. rating of the internal relay to avoid a crash or burn.
- Make sure the positive "+" and the negative "-" are connected correctly.
- Please add varistor or diode to absorb instant impact of EMF which is from shutting power off, otherwise the control circuits will be damaged.



In Fig.B, The PBT controls in parallel with Fail-Secure electric lock. The time setting of PBT is the same as the unlocked time.