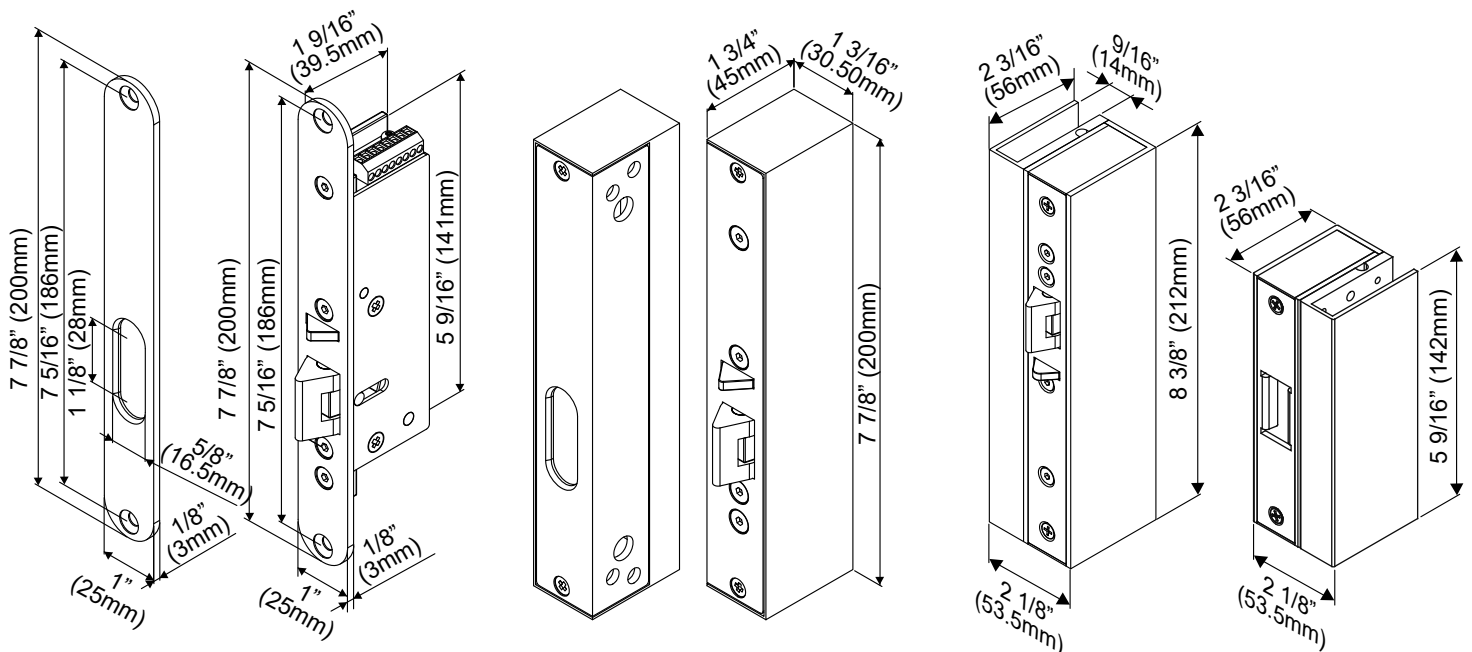


ML-350/360 Series Electric Lock Installation Instructions

Specifications

- Operating Voltage: 12/24VDC
- Voltage Tolerance: $\pm 10\%$
- Current Draw: 300mA/12VDC ; 150mA/24VDC
- Operating Temperature: $-10\sim 45^{\circ}\text{C}$
- Humidity: 0~95% non-condensing
- Solenoid Testing: Tested to over 250,000 cycles
- Preload: 500 lbs of pressure strength
- Finish: Stainless steel (Surface/Glass mount brackets: Anodized aluminum finish)
- Net Weight: ML-350M:673g, ML-360M:1380g
- Applicable to horizontal or vertical installations
- Locking Mode: Fail-safe locked
- Fire Resistance Test Conducted in Accordance with BSEN 1634-1: 2014 and BSEN 1363-1: 2012 (For ML-350M)

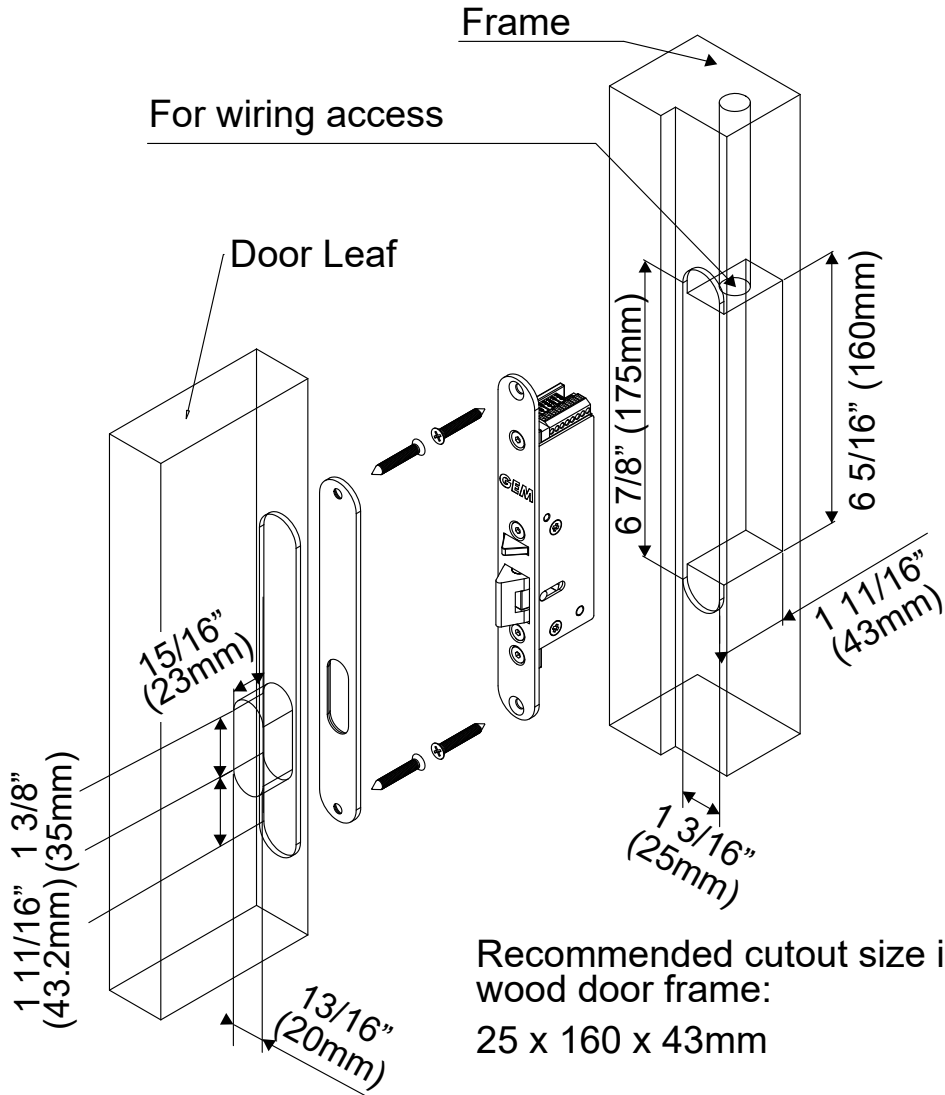
Dimensions



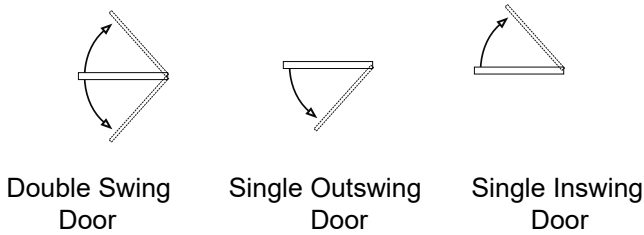
ML-350M

ML-360M

ML-350M/VGL

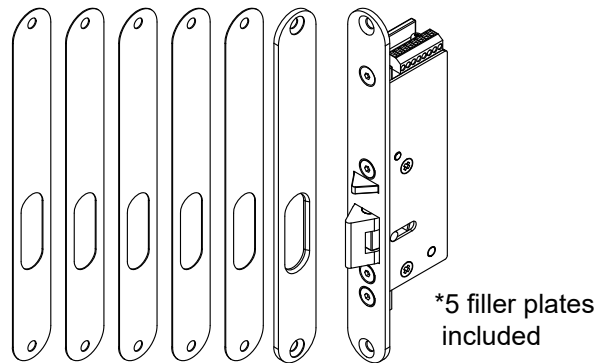


Swing Door Application



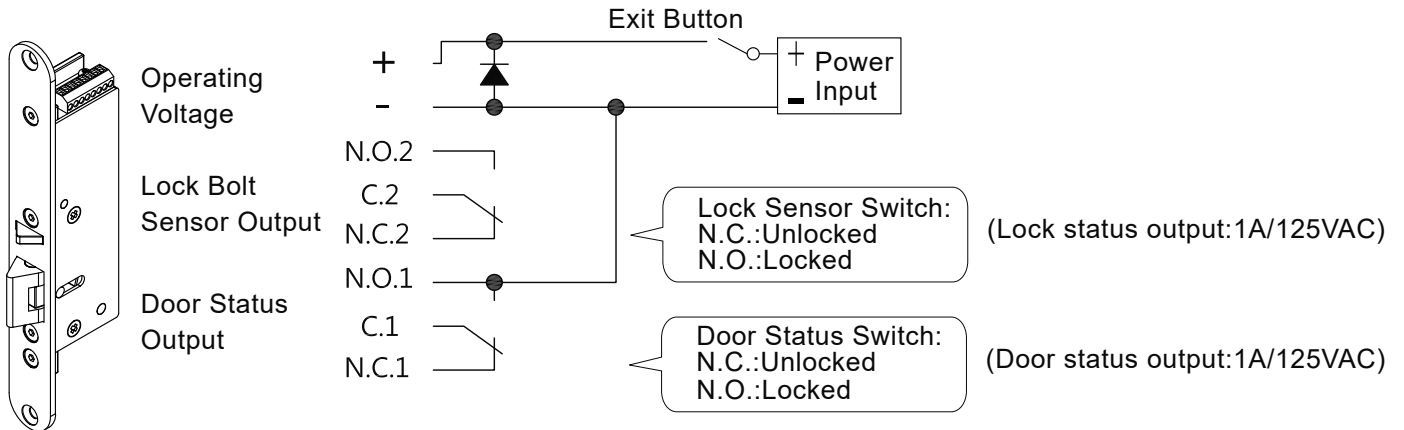
The ML-350/360 series can be installed on single or double action swing doors.

Filler Plate Installation (For ML-350M)



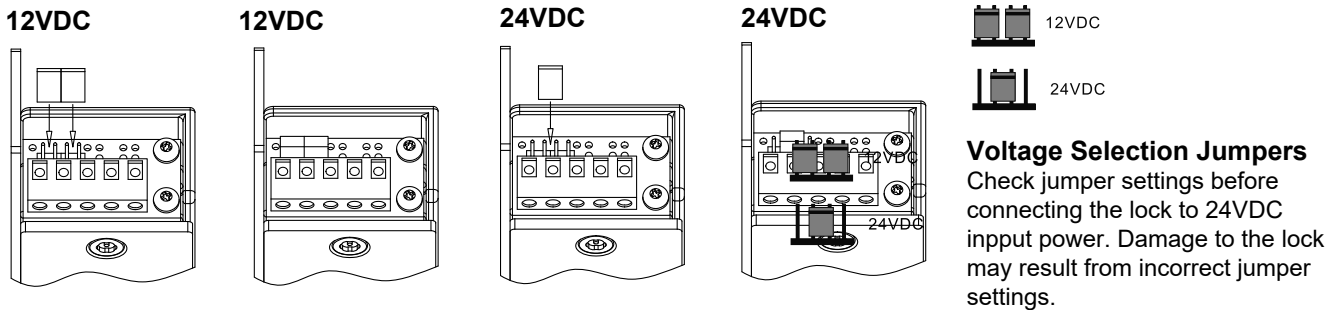
When door is closed and locked, the door gap needs to be less than 5 mm so the auxiliary deadlatch is properly depressed. Add filler plates to compensate for wide door gaps.

Wirina Diagram

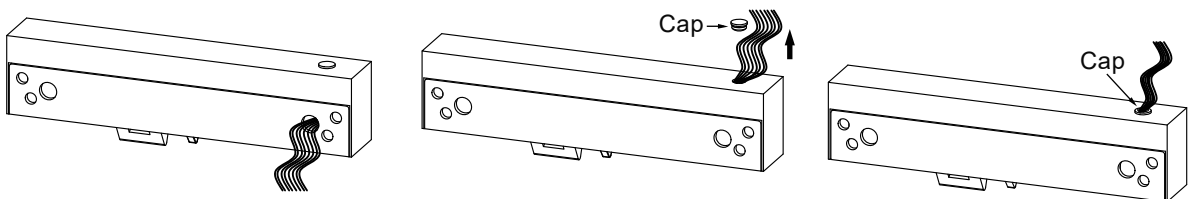


Note: N.O.1 & C.1 negative output

Voltage Selection



Changing the Wire Position (ML-360M)



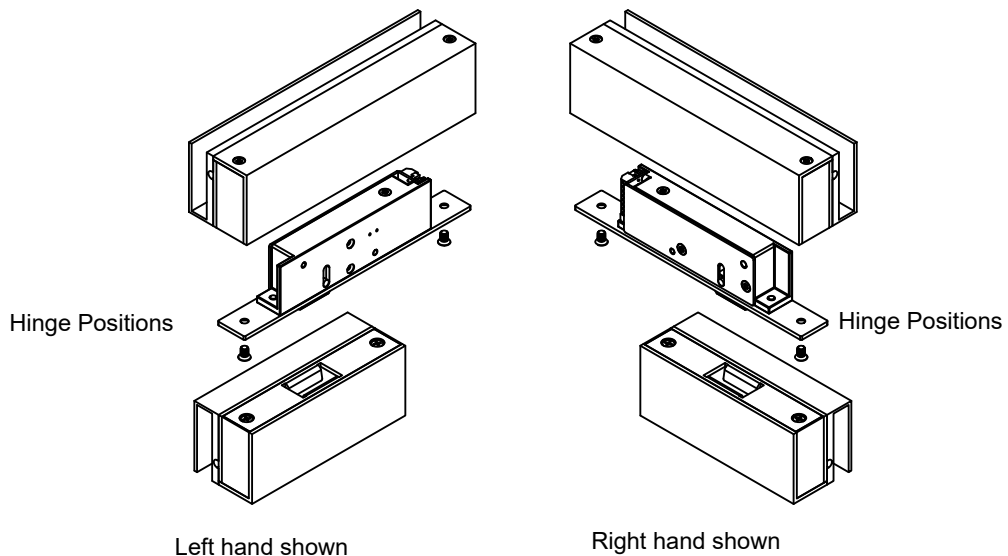
Change the position of the wires.

Take off the cap and pull out the wires.

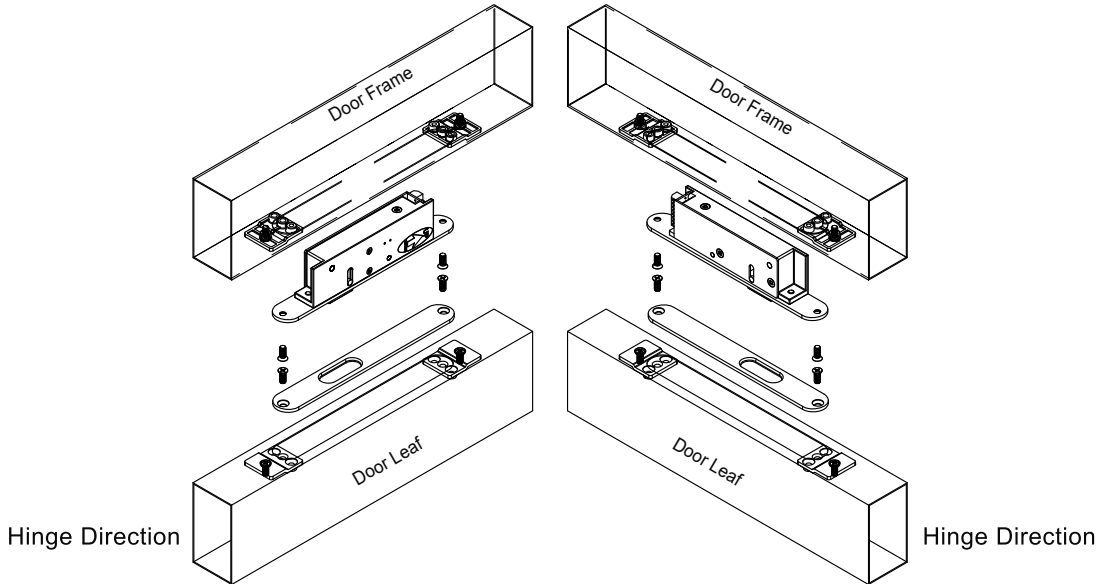
Put the cap back in around the wires for scratch resistance.

Installation

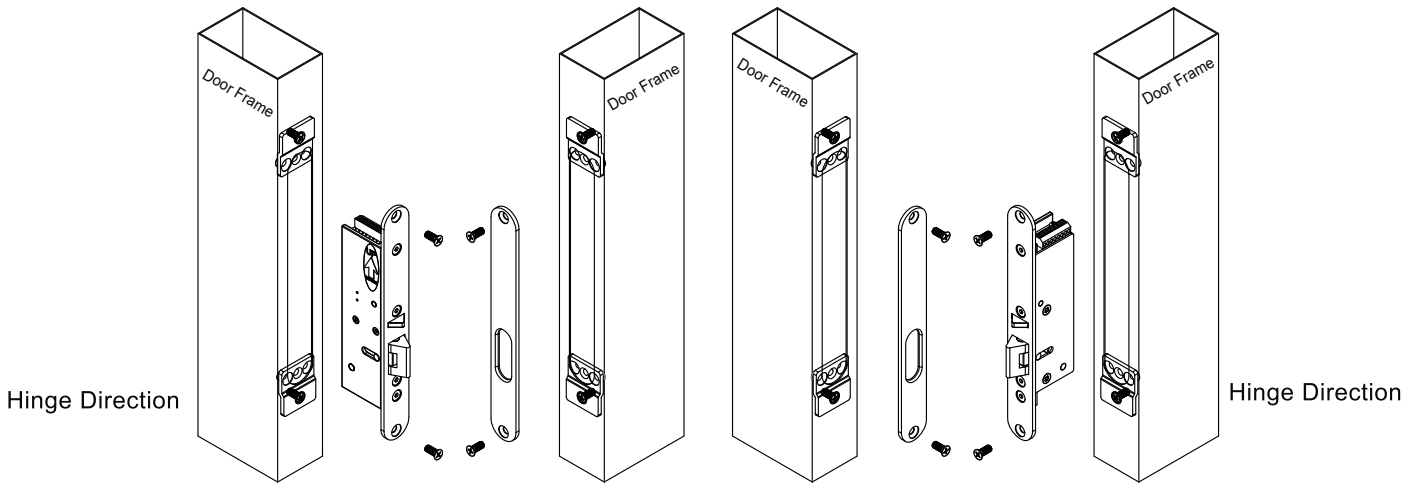
Glass Mount Installation (ML-350MVGL)



Mortise Mounted Horizontal Installation (ML-350M)



Mortise Mounted Vertical Installation (ML-350M)



Surface Mounted Installation (ML-360M)

