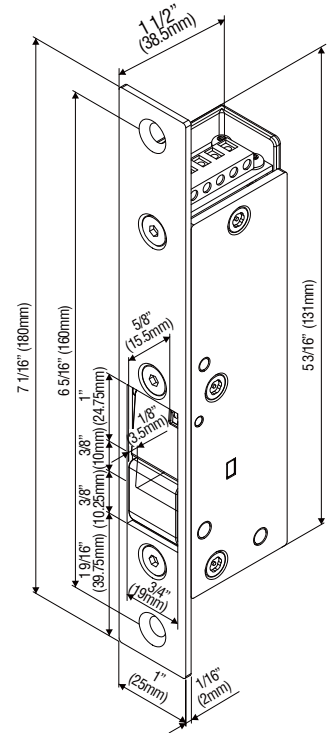
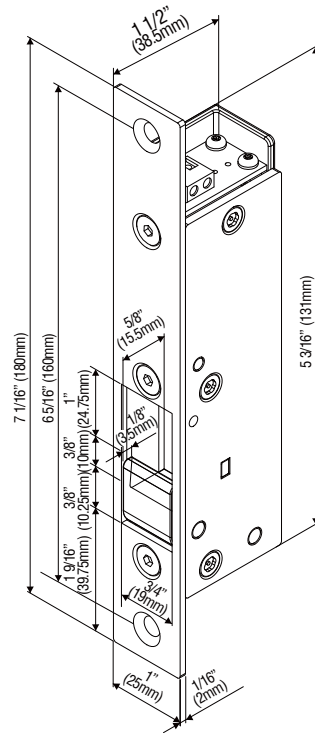


Electric Strike Installation Instructions

GK1900 Series

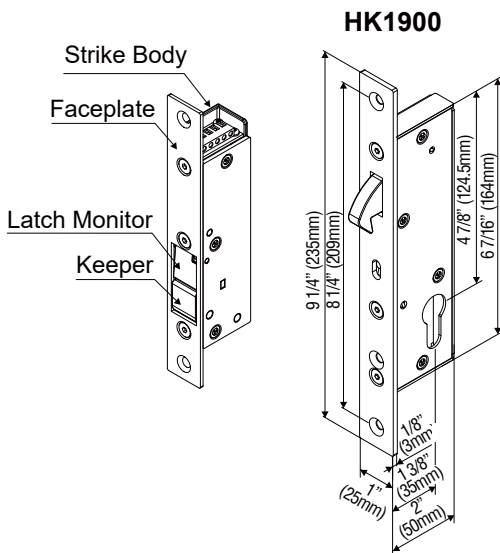
Specifications

Operating Voltage	12/24VDC
Voltage Tolerance	±15%
Current Draw	700mA/12VDC, 350mA/24VDC
Operating Temperature	-10~49°C
Humidity	0% to 85% Non-condensing
Application	Sliding doors
Lock Mode	Fail-secure
Cavity Depth	5/8" (15.5mm)
Keeper Width	3/4" (19mm)
Endurance	250,000 cycles
Static Strength	700 lbs
Preload	100 lbs



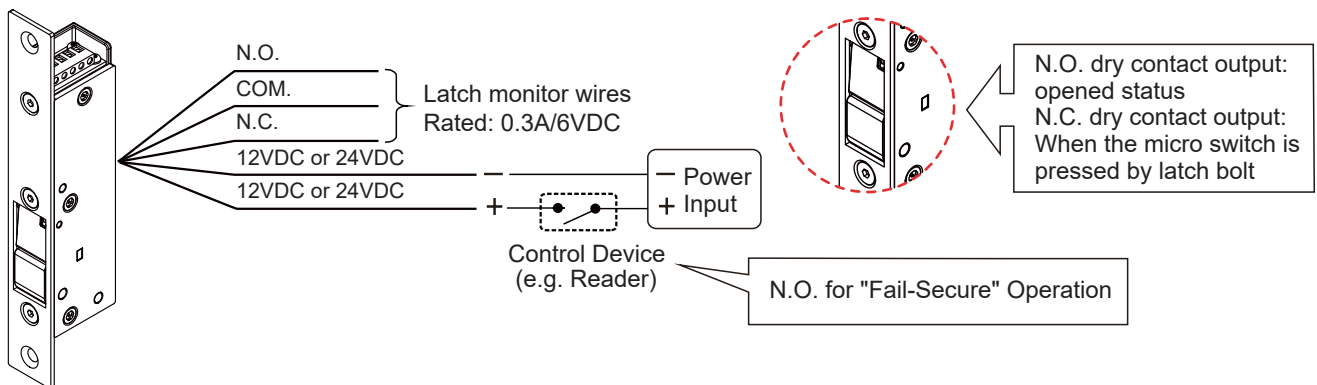
GK1900

GK1900M
(Model with Latch Monitor)



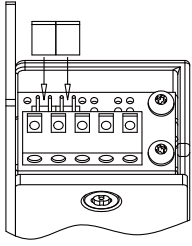
Connecting Diagram

Dual Voltage (12/24VDC)

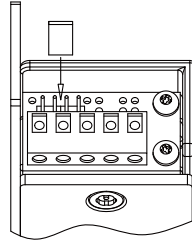


Voltage Selection

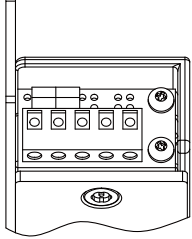
12VDC



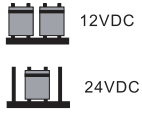
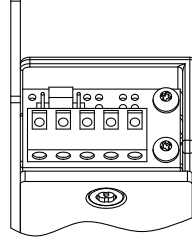
24VDC



12VDC



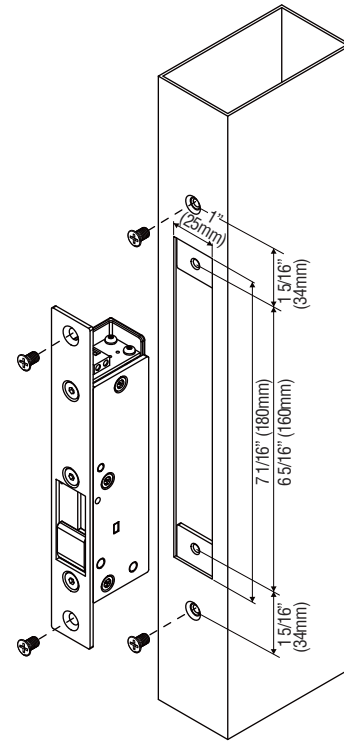
24VDC



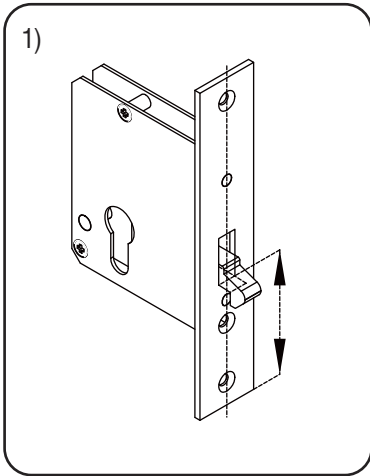
Voltage Selection Jumpers

Check jumper settings before connecting the lock to 24VDC input power. Damage to the lock may result from incorrect jumper settings.

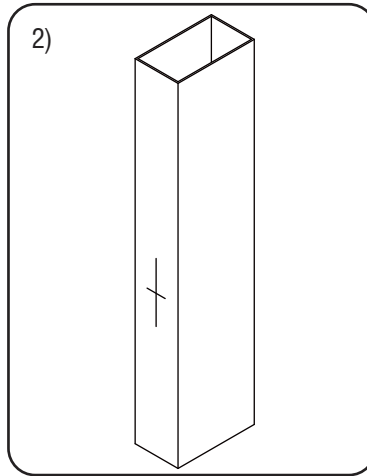
Hollow Metal Frame Installation



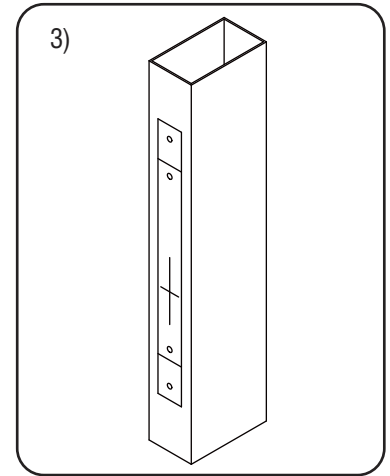
Installation Steps



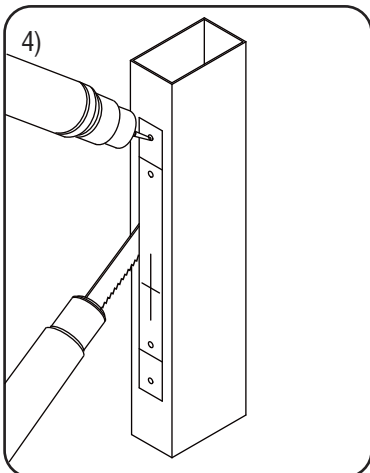
1) Measure the centerline of the latchbolt



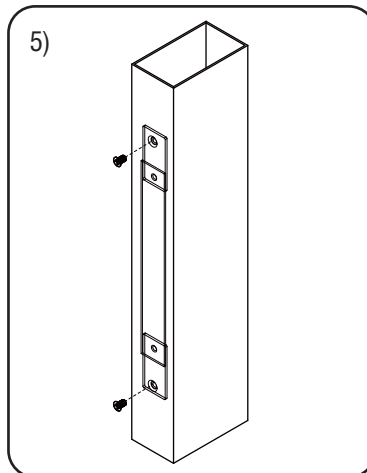
2) Align to the latchbolt's center position and mark on the frame



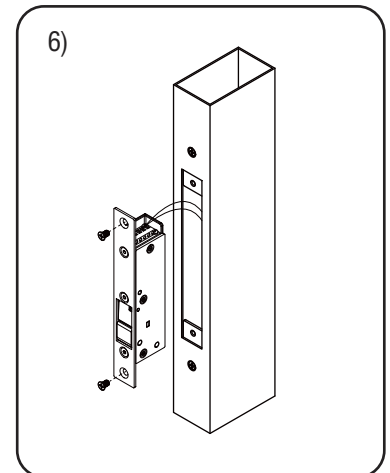
3) Attach the template to the marked position



4) Cut hole using template



5) Install the mounting tabs



6) Connect the wires, and install the strike