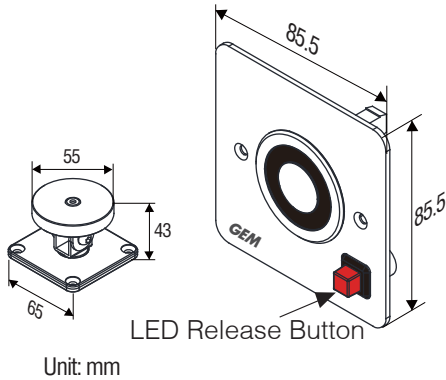
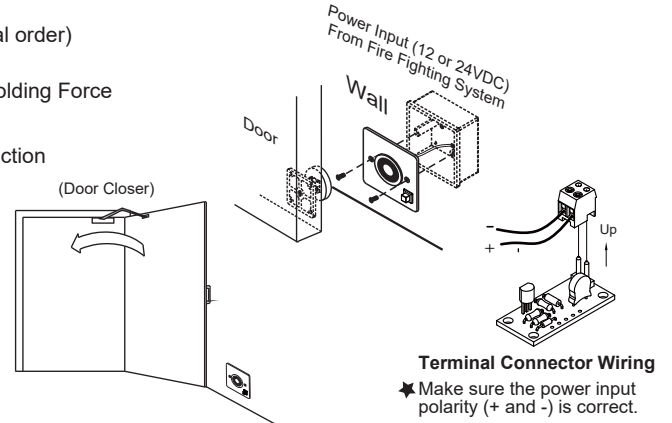


Electromagnetic Door Holder Installation Instructions

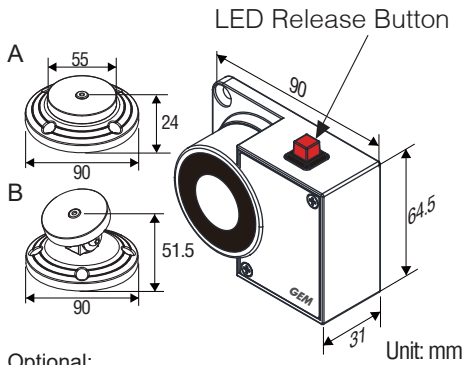
GD640S Wall Flush Mount



- Operating Voltage: 24 VDC (12VDC is available by special order)
- Current Draw: 60mA/24VDC
- Power Off Button: Release Holding Force
- Holding Force: 70 lbs
- Anti-Residual Magnetism Function
- Stainless Steel Faceplate
- LED Indicator

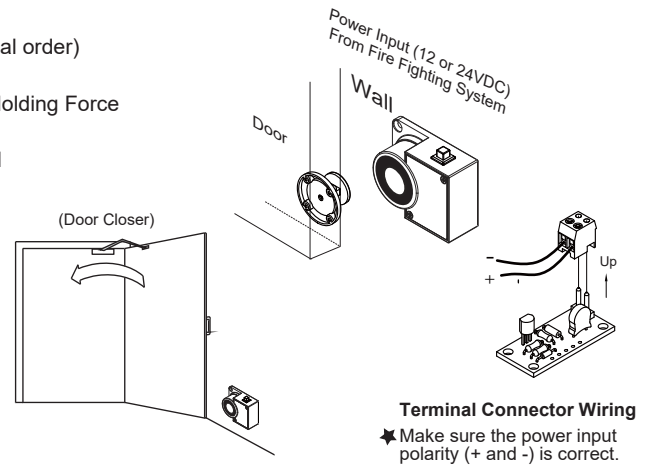


GD840S Surface Mount

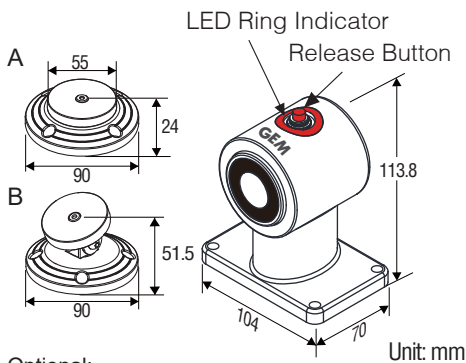


- Operating Voltage: 24 VDC (12VDC is available by special order)
- Current Draw: 70mA/24VDC
- Power Off Button: Release Holding Force
- Holding Force: Up to 80 lbs
- Finish: Black Powder Coated
- LED Indicator

Optional:
A → Self-Adjustable Armature Plate
B → Swivel Armature Plate
Color: Black

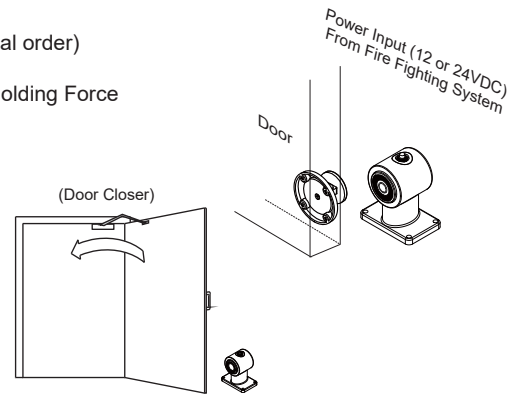


GD850F Floor Mount

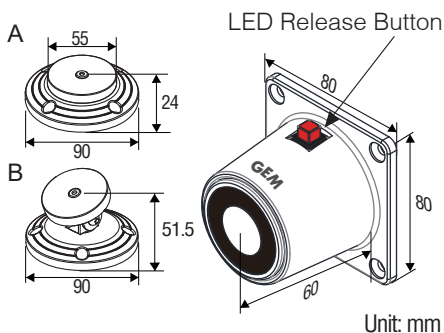


- Operating Voltage: 24 VDC (12VDC is available by special order)
- Current Draw: 90mA/24VDC
- Power Off Button: Release Holding Force
- Holding Force: Up to 80 lbs
- Finish: Black Powder Coated
- LED Ring Indicator

Optional:
A → Self-Adjustable Armature Plate
B → Swivel Armature Plate
Color: Black

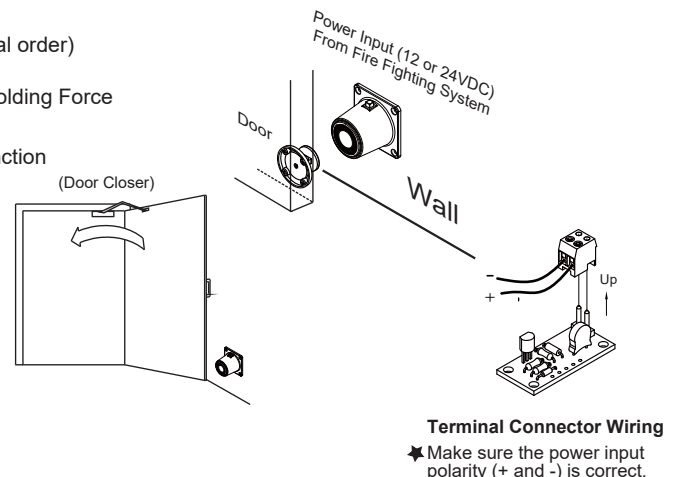


GD860S Surface Mount

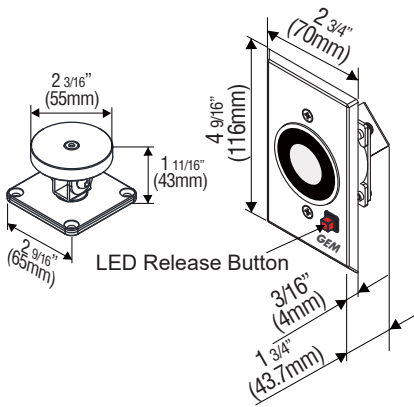


- Operating Voltage: 24 VDC (12VDC is available by special order)
- Current Draw: 70mA/24VDC
- Power Off Button: Release Holding Force
- Holding Force: Up to 80 lbs
- Anti-Residual Magnetism Function
- White Powder Coated
- LED Indicator

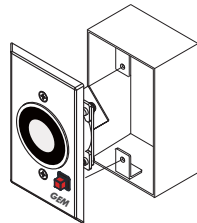
Optional:
A → Self-Adjustable Armature Plate
B → Swivel Armature Plate
Color: White



GD900WE Flush Mount



- Operating Voltage: 24 VDC (12VDC is available by special order)
- Current Draw: 60mA/24VDC
- Power Off Button: Release Holding Force
- Holding Force: 80 lbs
- For ANSI single-gang electric box (excluded)
- Stainless Steel Faceplate
- LED Indicator



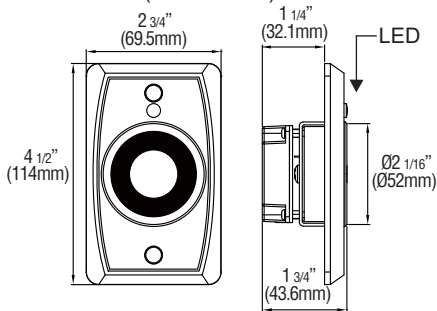
SMB-050
Surface Mount Box
(Optional)



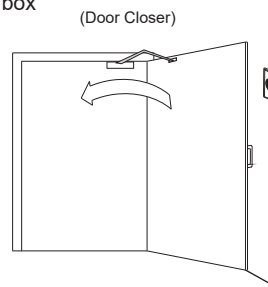
★ Make sure the power input polarity (+ and -) is correct.

GD950/950S

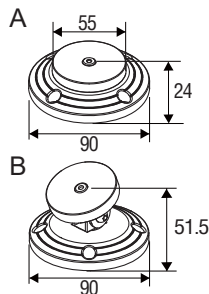
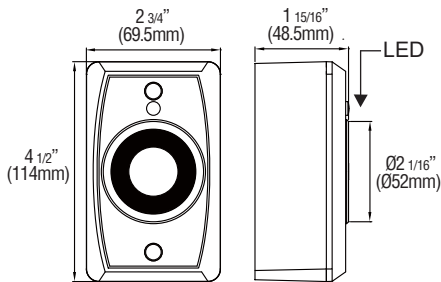
GD950 (Flush Mount)



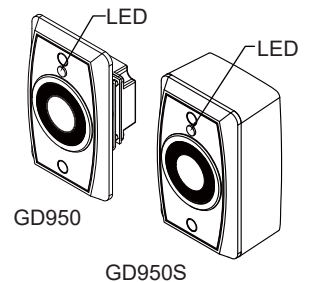
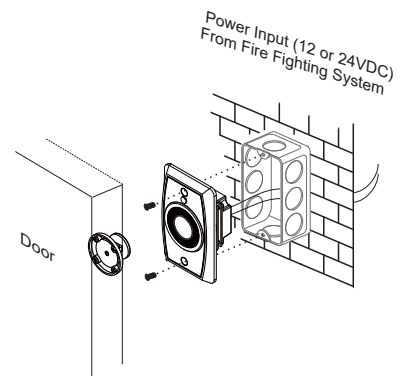
- Operating Voltage: 12~24 VDC
- Current Draw: 130mA/12VDC
80mA/24VDC
- Holding Force: Up to 80 lbs
- Anti-residual statement
- Aluminium Faceplate
- For ANSI single-gang electric box (excluded)
- Bond sensor output
- LED Indicator



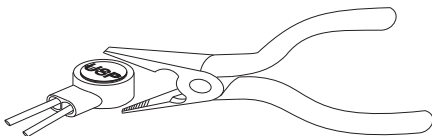
GD950S (Surface Mount)



- Optional:
 - A → Self-Adjustable Armature Plate
 - B → Swivel Armature Plate
- Color: Black / Silver

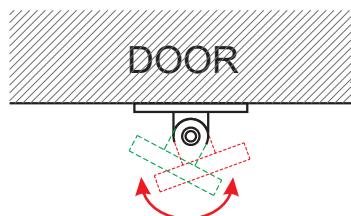
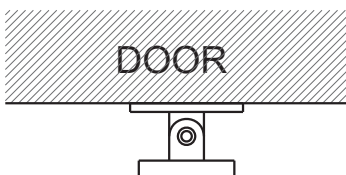


Installing the Crimp Connectors



Place the wire inside the connector and use pliers to press down on the head of the connector evenly.

Note



Adjust the direction of armature plate with a one-way movement in a single direction angle, so that the armature plate and magnetic locks can be closely integrated without gaps, in order to achieve maximum effect.

Adjust the direction of armature plate which is applicable with universal actions at all angles, so that the armature plate and magnetic locks can be closely integrated without gaps, in order to achieve maximum effect.