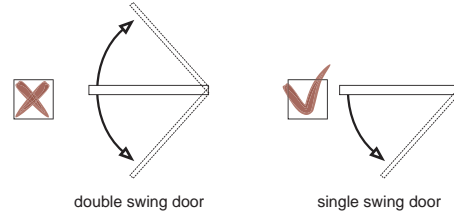


Electric Dropbolt Installation Instruction (Fail-Secure Series)

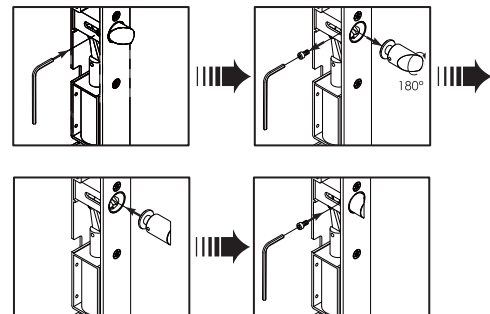
Specifications

	EB261 EB261M (Monitor)	EB265 EB265M (Monitor)
Operating Voltage	12~24VAC/DC (self-regulating)	
Voltage Tolerance	±10%	
Current Draw	1A/12VDC	
Operating Temperature	-10~+45°C	
Humidity	0~95%	
Lock's surface Temperature (when the power is on)	≥ current temp.+20°C	
Dimensions:mm	260x30x48mm	260x30x73mm
Lock:	100x46x1.5mm	100x46x1.5mm
Strike plate:		

Fail-Secure series of Electric Dropbolt Locks are not suitable for double swing doors. They are only suitable for either outswing or inswing doors.

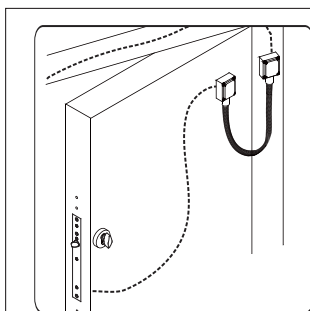
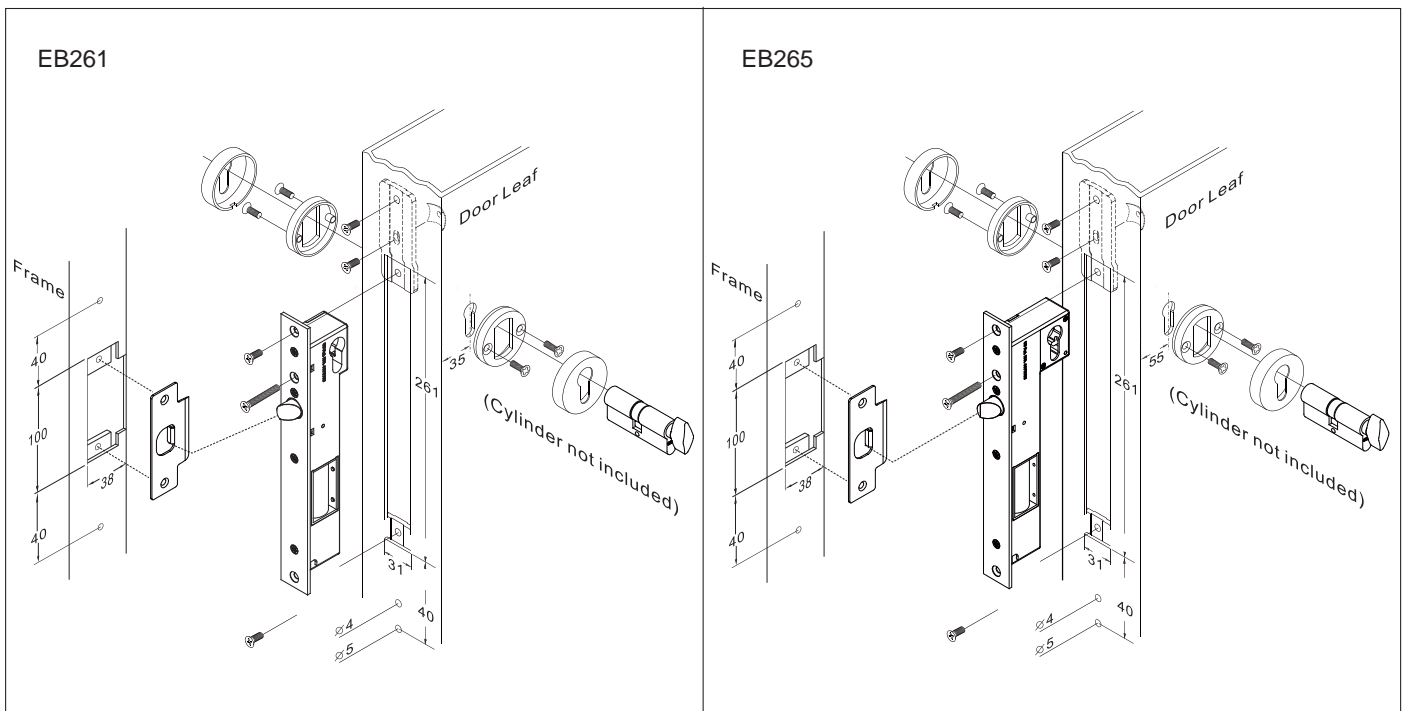


Please adjust the position of the latch bolt according to the door opening direction.



Installation Instructions

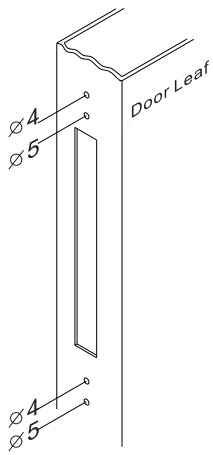
62mm (L) cylinder suits Max. 42mm (W) door leaf ; 72mm (L) cylinder suits Max. 52mm (W) door leaf



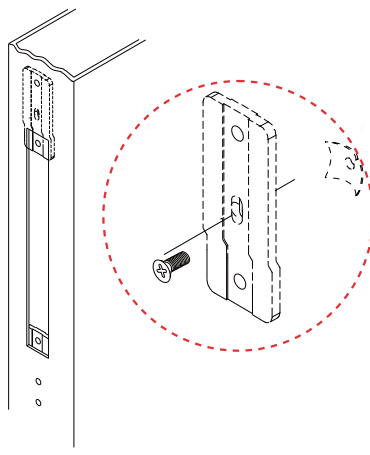
Door Loop (Optional)

The Door Loop is used for protection of extension wiring from damages for security reasons.

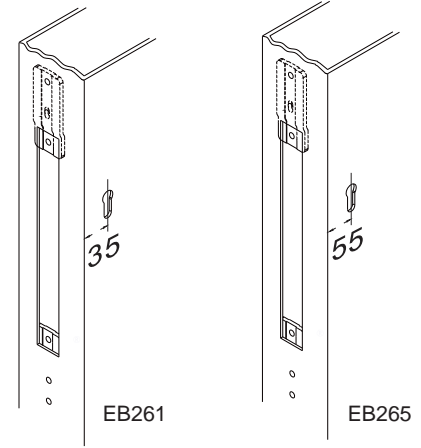
Installation Instructions



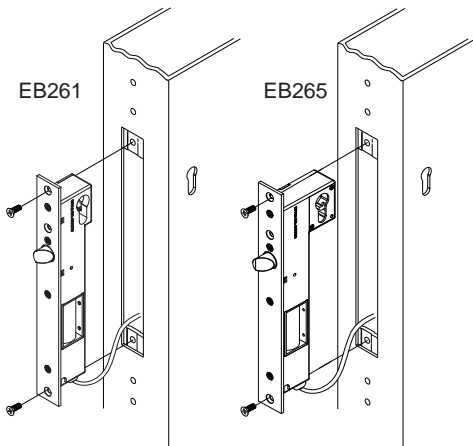
Drill and cut out as template indicates



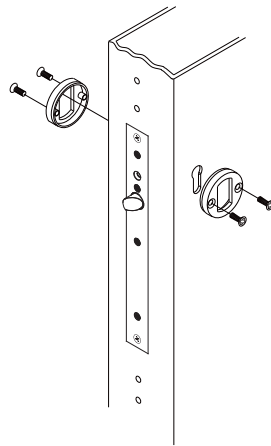
Fasten fixing Lugs



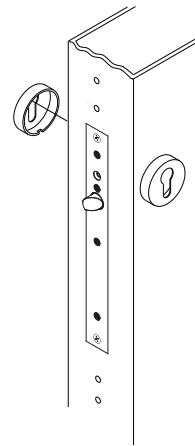
Cut door leaf out for cylinder installation



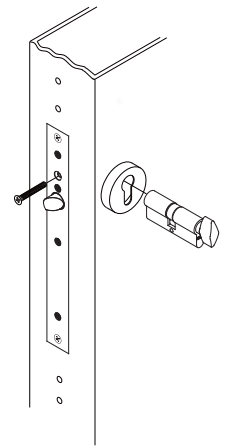
Connect power cable to electric dropbolt



Mount electric dropbolt and cylinder

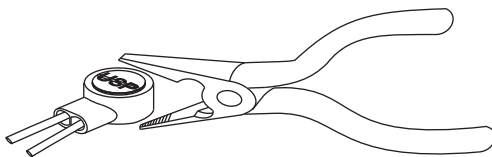


Fix cylinder's cover



Use 5x45mm screw to tighten the cylinder

Butt Splice (IDC) Connector

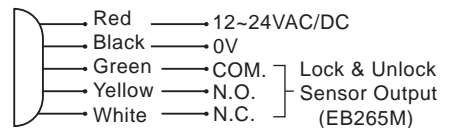


Use crimper or pliers to press the header of connector down to even position.

Caution:

Make sure that the "+" and "-" wires are connected correctly. Failure to observe polarity will result in a short circuit and is not covered by product warrant.

Voltage: 12~24VAC/DC



General Installation Instructions:

- ✦ Make sure the width and depth of the door frame and door leaf (hollow metal door) are wide and deep enough to install the lock and to place the wires.
- ✦ Before the electric dropbolt locks up, ensure the door returns back to correct position after it is opened.
- ✦ The door hinge/door operator is very important to facilitate door realignment.
- ✦ The electric dropbolt pulls in and consumes 1A/12VDC.
- ✦ Check if the regulated power supply provides the required power.

Warning:

- ✦ The connection of an incorrect voltage may result in damage and is not covered by the product warranty
- ✦ The selection of appropriate power supply cable is very important to ensure lock receives sufficient power to operate.
- ✦ This product is designed for use in weather protected areas and normal circumstances, hence it does not require any maintenance. DO NOT OIL OR LUBRICATE.
- ✦ This product must be used in conjunction a quality floor spring or door closer to ensure positive realignment on closing.