

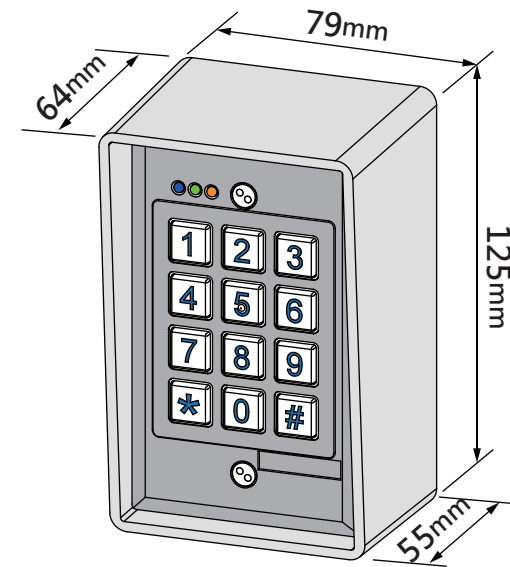
# DG-15LD

Digital Keypad Operation Manual



# DG-15LD

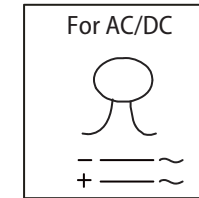
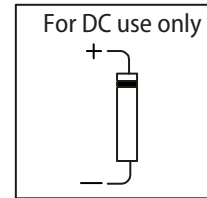
Digital Keypad Operation Manual



## Specifications

<b>Operating Voltage</b>	12~24 VDC
<b>Current Draw</b>	Active: 90mA/12VDC, Standby: 40mA/12VDC
	Active: 120mA/24VDC, Standby: 60mA/24VDC
<b>Keypad</b>	12-Key Keypad (0~9, *, #)
<b>LED Status Indication</b>	3 LED Indicators (Power: Blue, Relay 1: Green, Relay 2: Amber)
<b>Input</b>	1 Contact for Egress Pushbutton
	1 Contact for Door Sensor Reed Switch
<b>Output</b>	2 Relays (Dry contacts: N.O./N.C./Com.)
<b>Relay Output Time</b>	01~99 Seconds or Toggle Mode (00 Seconds)
<b>Relay Electric Current</b>	3A/24VDC
<b>Memory Volume</b>	200+10 PINs ( * 001~ * 210)
	Relay 1 is Controlled by Users * 001~ * 200 ( * 300 )
	Relay 2 is Controlled by Users * 201~ * 210 ( * 301 )
	Relay1( * 300); Relay2( * 301)
<b>EPROM</b>	Erasable Programmable Read Only Memory: Programmed data is stored on non-volatile memory to prevent data loss in case of power loss.
<b>Ambient Humidity</b>	0%~95% (Non-condensing)
<b>Operating Temperature</b>	-20°C~+70°C

\* The electric lock or relay must have a diode or varistor across the terminals of the electroc lock to suppress the back electromotive force (EMF) - failure to do so will damage the relay contacts and electronic components, and even cause the controller to burn out.



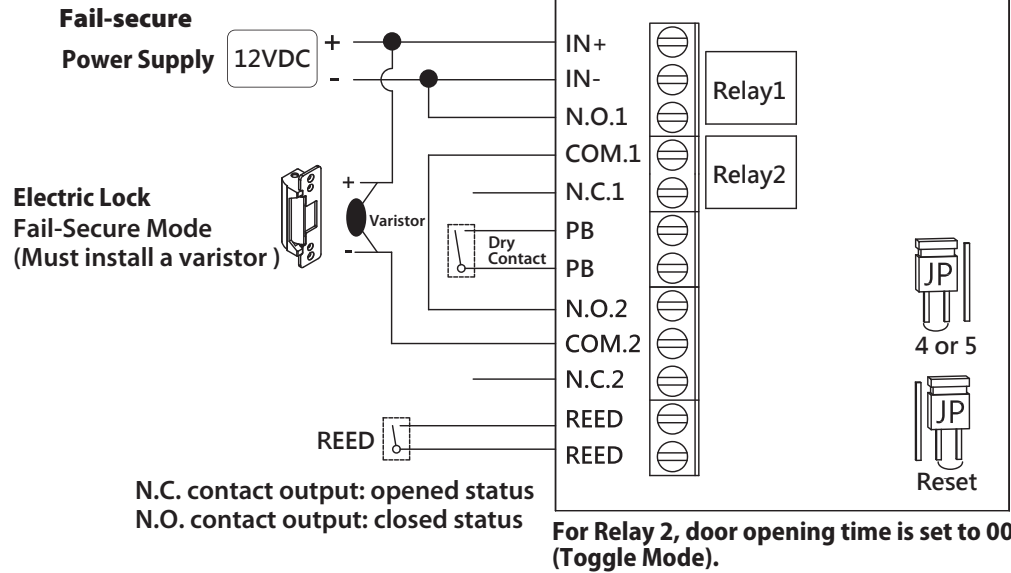
### Note:

**Anti-Tailgating Function:** Once the door is closed, the keypad will cut off the remaining relay output time and locks the door. For example: relay output time is set to 10 seconds and the door closes after 3 seconds. The door will lock once the door closes forgoing the remaining 7 seconds. This is for Relay 2 only and is unavailable when relay output time is set to 0 seconds (Toggle Mode).

### Warranty

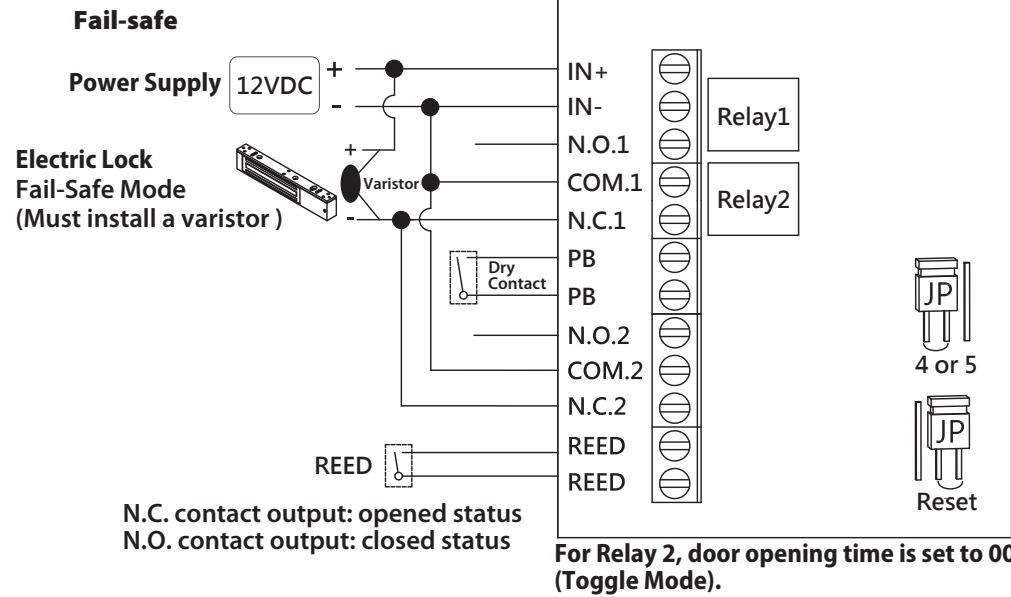
The product is warranted against defects in material and workmanship while used in normal service for a period of 1 (one) year from the date of sale to the original customer. Our policy is one of continual development and improvement and we reserve the right to change specifications without notice.

## Wiring Diagram



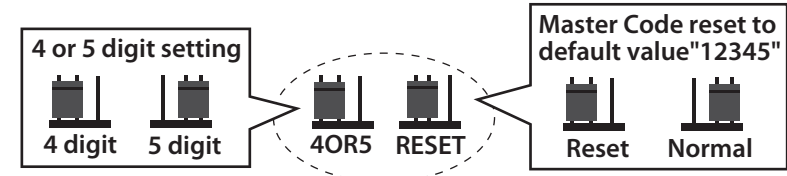
## LED Indicators & Keypad Sounds

<b>LED</b>	<b>Blue On</b>	Power on, keypad on standby
	<b>Green On</b>	Relay 1 active
	<b>Amber On</b>	Relay 2 active
	<b>Blue + Green + Amber</b>	In programming mode
<b>Beep</b>	<b>1 Beep</b>	Valid key press
	<b>2 Beeps</b>	Enter, exit programming mode
	<b>3 Beeps</b>	Incorrect operation
	<b>5 Beeps</b>	Master Code back to 12345 (All settings cleared)



## Operation Instruction

### Jumper Setting



- Default Master Code: "1234" for 4 digits, "12345" for 5 digits. It is recommended to clear all stored codes prior to a new setting.
- Reset Master Code to factory default "12345":
  - Insert the jumper into 1-2 (5 beeps)
  - Master Code reset to default value
  - Insert the jumper into 2-3
- Clear all PINs:
  - Reset Master Code to factory default (5 beeps indicates all PINs are cleared)
  - Insert the jumper into 2-3

#### **a - Enter Programming Mode**

Enter the Master Code twice (Default value: "1234" or "12345") to enter programming mode (2 beeps)

Note: 1. If there is no keypress for 60 seconds, the keypad will automatically exit programming mode.

2. The controller will be locked for 60 seconds upon 30 consecutive incorrect Master Code entries.

#### **b - Add New PINs**

1. Enter programming mode.

2. Enter slot position \* 001~ \* 210.

3. Enter the PINs (1 beep).

4. Repeat, or press "#" to exit programming mode.

Relay 1 is controlled by the slot position \* 001~ \* 200.

Relay 2 is controlled by the slot position \* 201~ \* 210.

Note: "00000", "1234", "12345" and the Master Code cannot be used as PINs.

#### **c - Set Relay Output Time**

1. Enter programming mode.

2. Press \* 300 (or \* 301).

3. Enter Relay Output Time between (01~99) (1 beep).

e.g. Press 05 will set the relay output time to 5 seconds, and 00 for Toggle Mode.

4. Press "#" to exit programming mode.

Note: In Toggle Mode, the Relay will switch between N.C. contact and N.O. contact by entering the PIN once.

#### **d - Delete PINs**

1. Enter programming mode.

2. Press \* 006 (if \* 006 slot position is to be deleted).

3. Press 0000 (or 00000) (1 beep).

4. Press "#" to exit programming mode.

#### **e - Change Master Code**

1. Enter programming mode.

2. Press \* 000.

3. Enter new Master Code (1 beep).

4. Press "#" to exit programming mode.

#### **f - Turning Buzzer Function ON/OFF (In programming mode)**

1. Enter Master Code twice (2 beeps).

2. Enter \*400 (1 beep).

3. Enter 0 (buzzer ON) or 1 (buzzer OFF) (1 beep)

4. Press "#" to exit programming mode.

#### **g - Delete Multiple PINs**

1. Enter Master Code twice (2 beeps).

2. Enter \*800 (1 beep).

3. Press the first slot position to be deleted (e.g. 006, 1 beep).

4. Press the second slot position to be deleted (e.g. 208, 1 beep).

5. Press "#" to exit programming multiple PINs or press # again to exit programming mode.

#### **h - Resetting Keypad**

1. Enter Master Code twice (2 beeps).

2. Enter \*900 (1 beep).

3. Enter 0 (Master Code is reset to 1234 or 12345) or Enter 1

(all parameters are reset to factory default; Relay 1 & 2 users are deleted)

5 beeps, and the keypad exits programming mode automatically