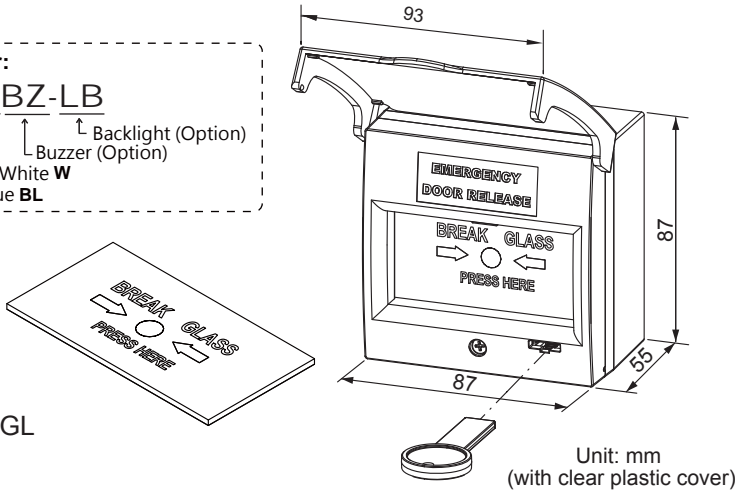


# CP-34 Series Call Point Instructions

## Specifications

- Dimensions: 87x93x55 mm (with clear plastic cover)
- Contact resistance: 100mΩ
- Contact Rating: Up to 1A 125VAC
- Plastic case: Green / Red / White / Yellow / Blue

**Part Number:**  
**CP-34XBZ-LB**  
 ↑ ↑ ↑  
 Green **G**/Red **R**/White **W** Backlight (Option)  
 Yellow **Y**/Blue **BL** Buzzer (Option)

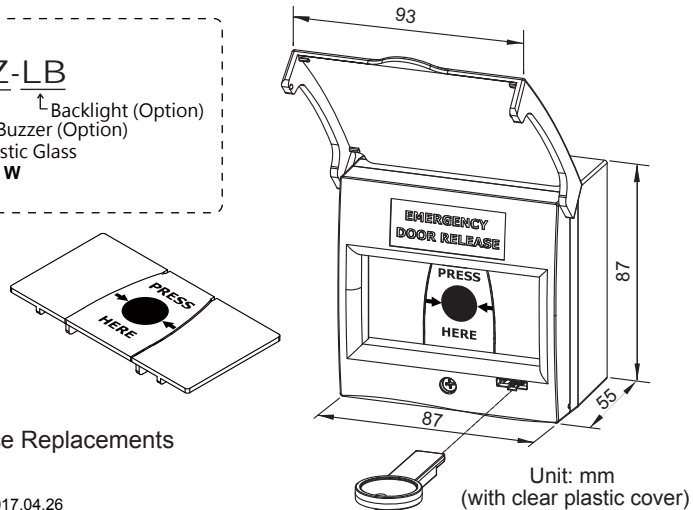


**Accessory**  
 Model: CP-21-GL  
 Break Glass

## Specifications

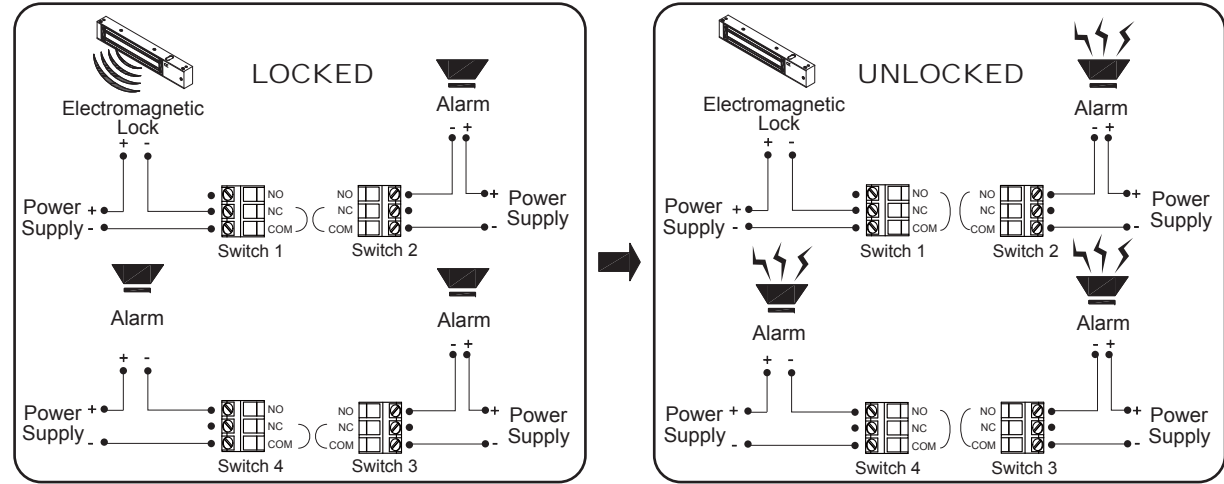
- Dimensions: 87x93x55 mm (with clear plastic cover)
- Contact resistance: 100mΩ
- Contact Rating: Up to 1A 125VAC
- Plastic case: Green / Red / White / Yellow / Blue

**Part Number:**  
**CP-34XPBZ-LB**  
 ↑ ↑ ↑  
 Green **G**/Red **R**/White **W** Backlight (Option)  
 Yellow **Y**/Blue **BL** Buzzer (Option)  
 Plastic Glass

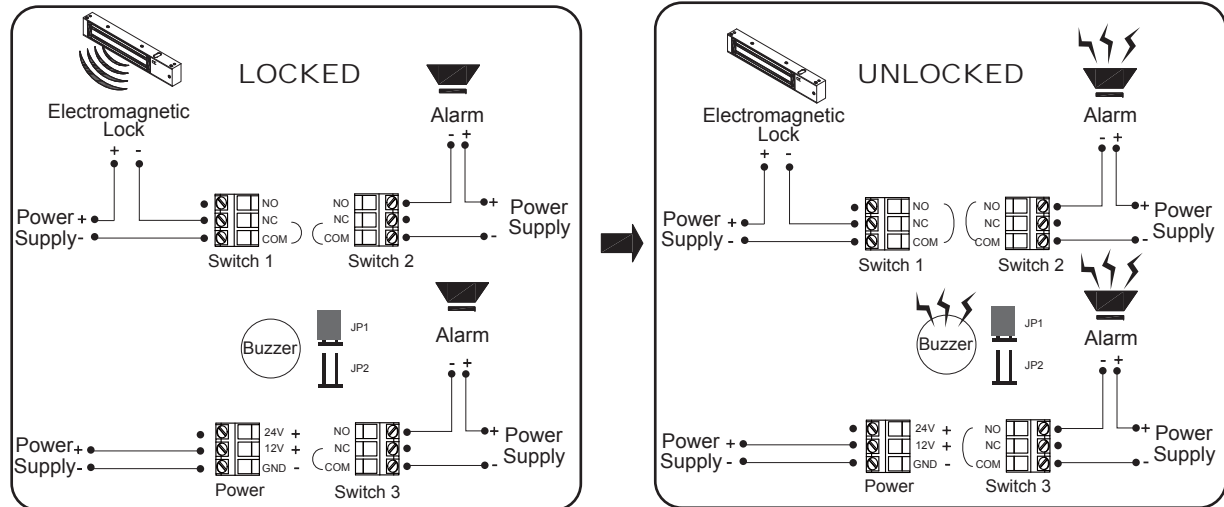


**Accessory**  
 Model: CP-31-PL  
 Plastic Glass: 4-piece Replacements

## Wiring Application for CP-34G/CP-34GP

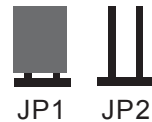


## Wiring Application for CP-34GBZ-LB/CP-34GPBZ-LB



## Jumper Settings for Backlight Illuminations

(For CP-34GBZ-LB/CP-34GPBZ-LB)



### Jumper at J1 Position

Backlight changes from blue to red after the glass or plastic element is broken.

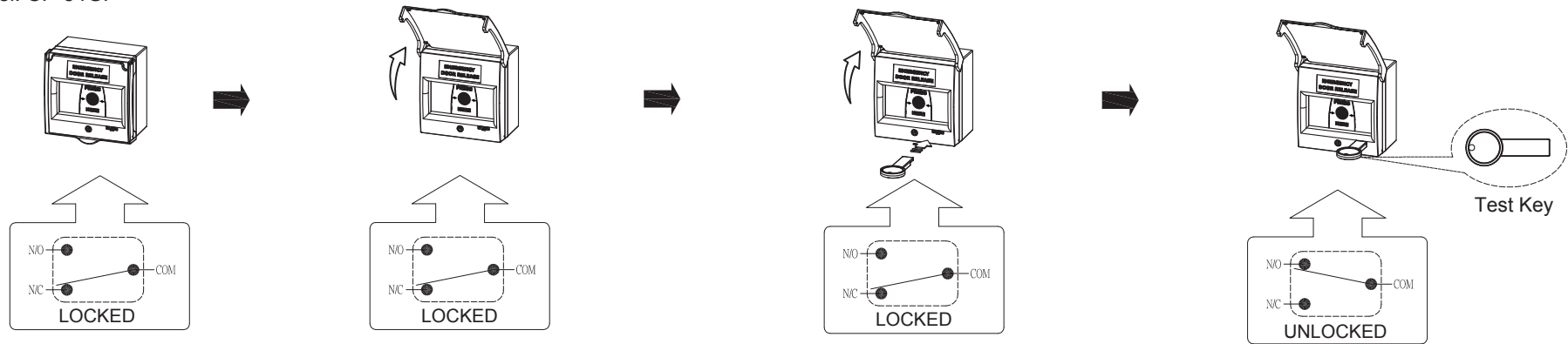


### Jumper at J2 Position

Backlight changes from blue to green after the glass or plastic element is broken.

### Routine Testing

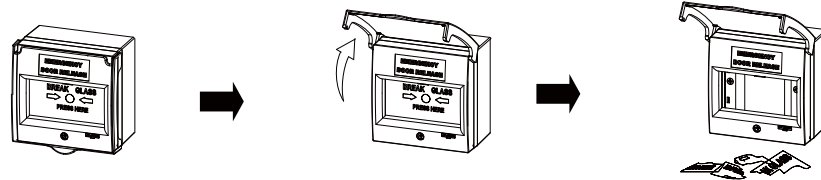
Model: CP-34GP



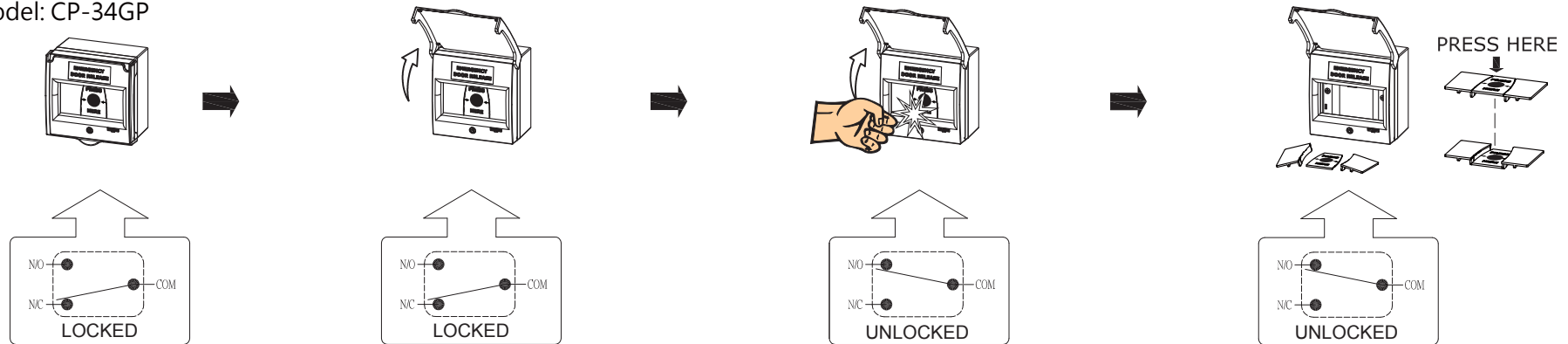
Open the clear plastic cover. Insert the test key into the hole so that the plastic glass will tilt to one side and the internal switches will then change status from NC to NO. Remove the test key so that the switches revert back to NC status.

### Operation Instructions

Model: CP-34G



Model: CP-34GP



Open the clear plastic cover. Press harder to break the plastic glass so that the internal switches will change status from NC to NO, triggering the connected devices.

\* Remove the screw in the front of the call point and replace the plastic glass. The switches will then revert back to NC status.