

CP-31 Call Points Series Instructions

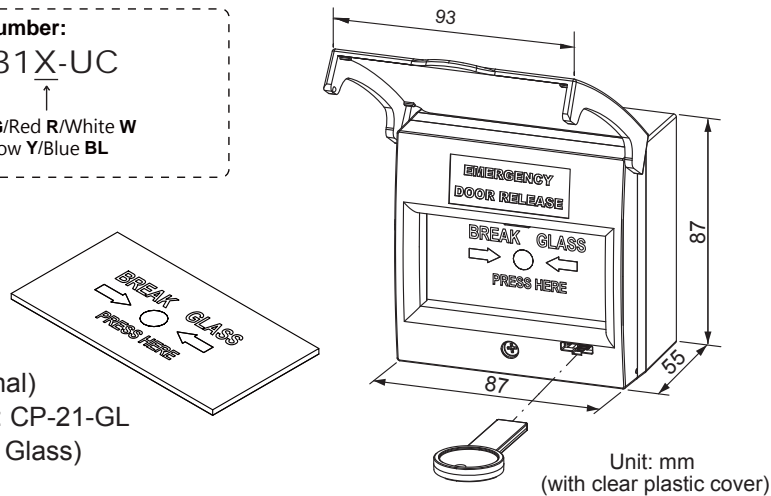
Specifications

- Dimensions: 87x93x55 mm (with clear plastic cover)
- Contact resistance: 100mΩ
- Contact Rating: Up to 5A 125/250 VAC
- Plastic case: Green / Red / White / Yellow / Blue

Part Number:

CP-31X-UC

Green G/Red R/White W
Yellow Y/Blue BL



(Optional)
Model: CP-21-GL
(Break Glass)

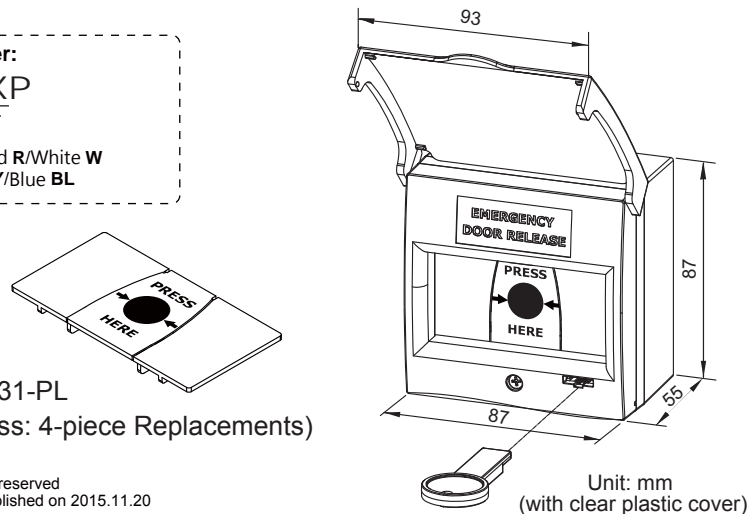
Specifications

- Dimensions: 87x93x55 mm (with clear plastic cover)
- Contact resistance: 100mΩ
- Contact Rating: Up to 5A 125/250 VAC
- Plastic case: Green / Red / White / Yellow / Blue

Part Number:

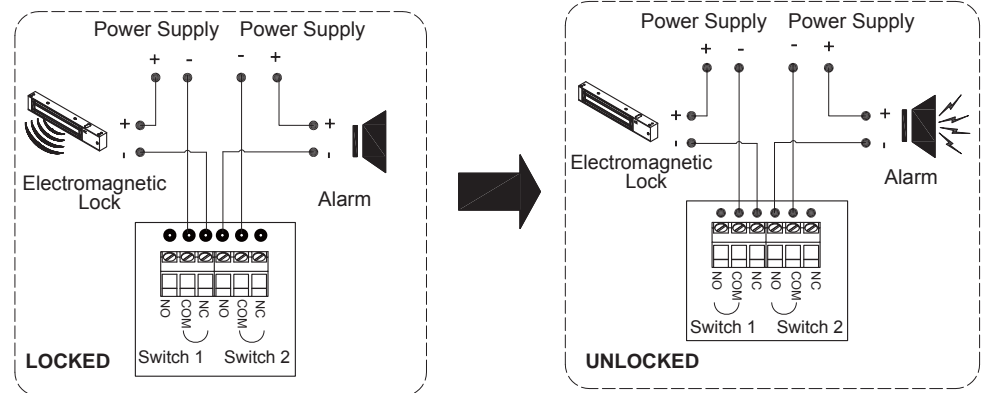
CP-31XP

Green G/Red R/White W
Yellow Y/Blue BL

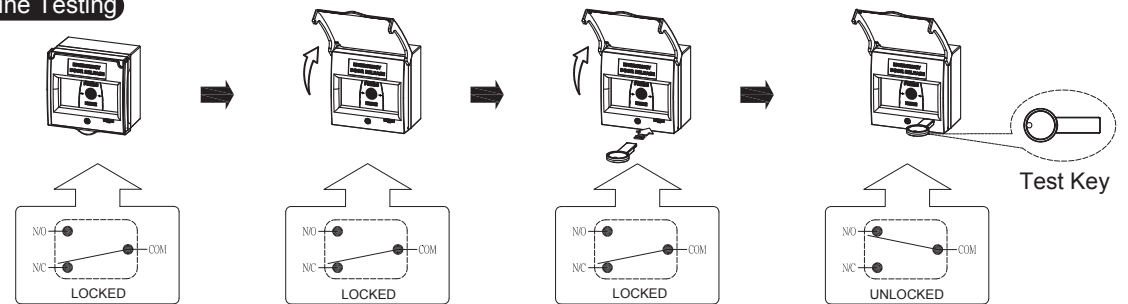


(Optional)
Model: CP-31-PL
(Plastic Glass: 4-piece Replacements)

Application

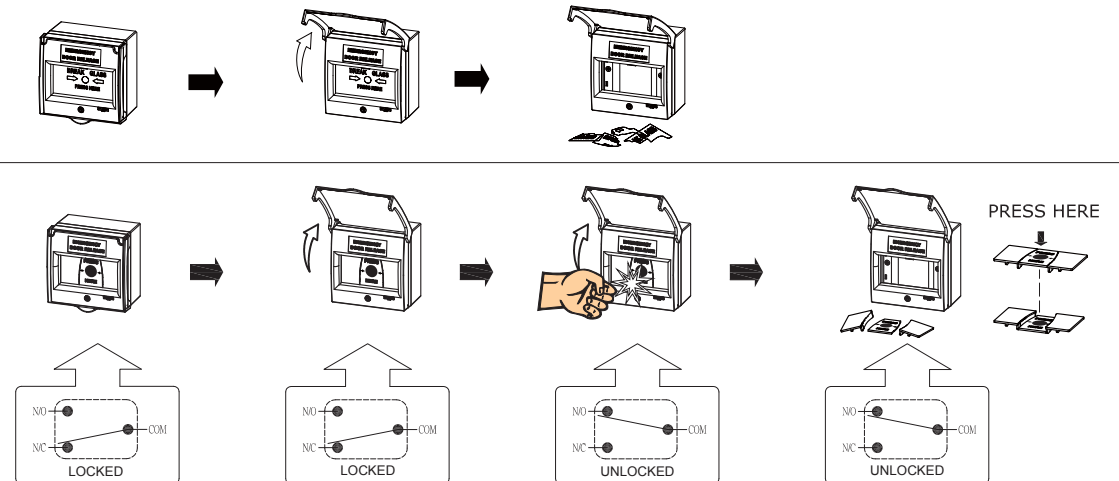


Routine Testing



Open the clear plastic cover. Insert the test key into the hole so that the plastic glass will tilt to one side and the switch will then change status from NC to NO. Remove the test key so that the switch reverts back to NC status.

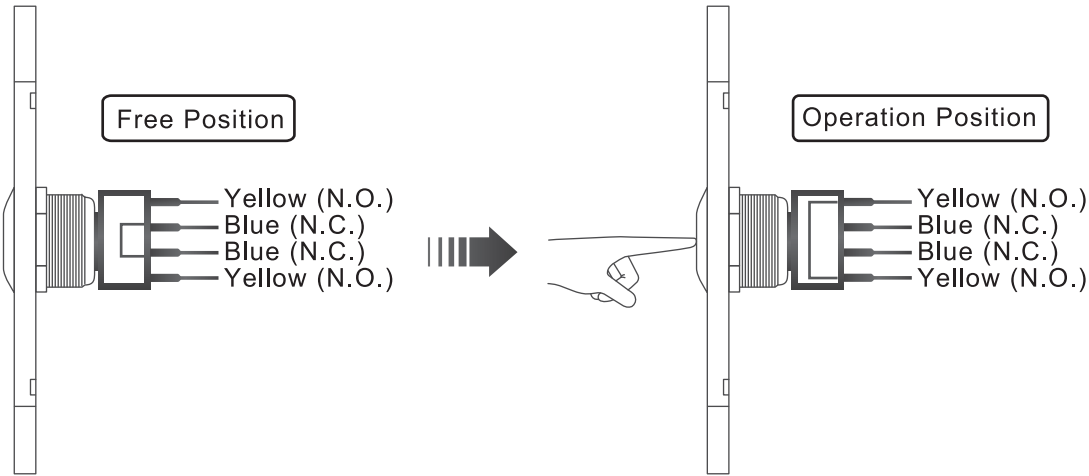
Operation Instructions



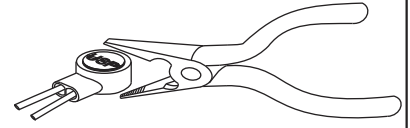
Open the clear plastic cover. Press harder to break the plastic glass so that the switch will change status from NC to NO, triggering the connected device.

* Remove the screw in the front to replace the plastic glass, and the switch will revert back to NC status.

Wiring Diagram



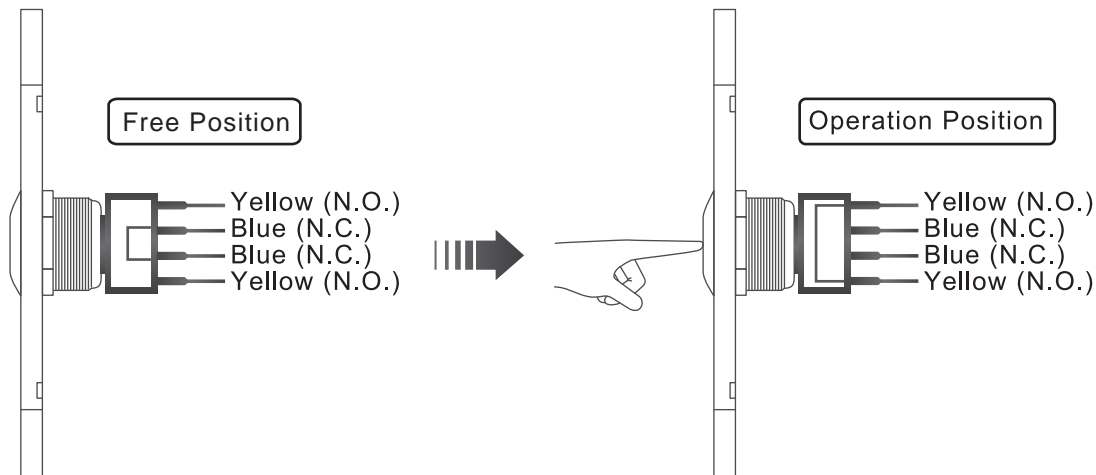
Butt Splice (IDC) Connector



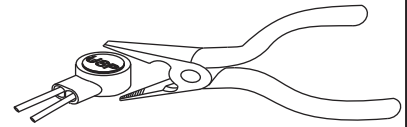
Using crimper or pliers and pressing the header of connector down to even position

Copyright © All rights reserved.
P-MU-CT-PBT200-4 Ver.B Publish: 2011.08.11

Wiring Diagram



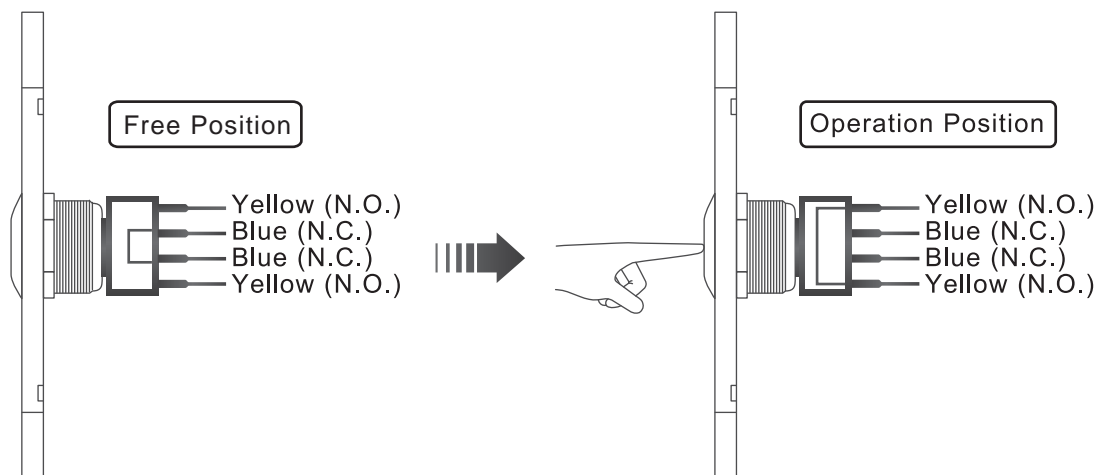
Butt Splice (IDC) Connector



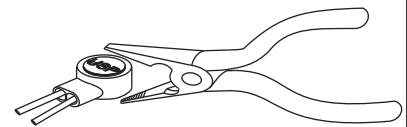
Using crimper or pliers and pressing the header of connector down to even position

Copyright © All rights reserved.
P-MU-CT-PBT200-4 Ver.B Publish: 2011.08.11

Wiring Diagram



Butt Splice (IDC) Connector



Using crimper or pliers and pressing the header of connector down to even position

Copyright © All rights reserved.
P-MU-CT-PBT200-4 Ver.B Publish: 2011.08.11