

BTS Touch Exit Button Installation Instruction

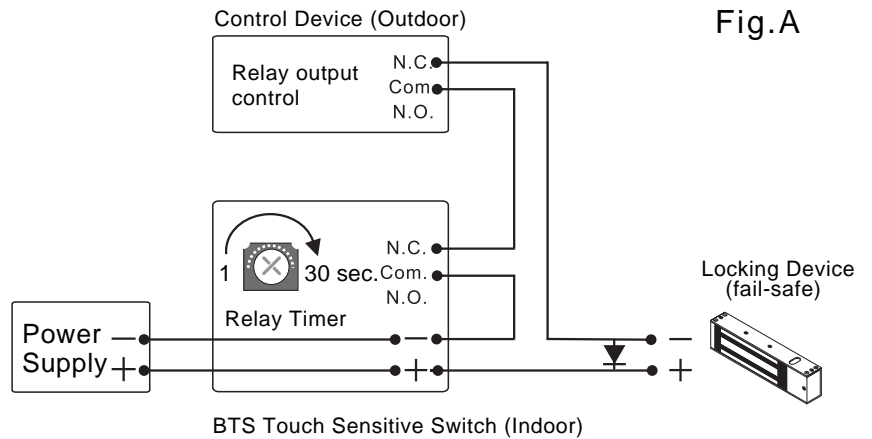
Specifications

Mode	BTS-100	BTS-115-ANSI,115-S	BTS-85UK	BTS-400ANSI,300	BTS-486
Operating Voltage	12~24VDC	12~24VDC	12~24VDC	12~24VDC	12~24VDC
Current Draw	30~60mA/12VDC 40~80mA/24VDC	30~50mA/12VDC 40~60mA/24VDC	20~40mA/12VDC 20~50mA/24VDC	60~100mA/12VDC 80~120mA/24VDC	30~60mA/12VDC 40~80mA/24VDC
Relay contact output	Com,N/C,N/O	Com,N/C,N/O	Com,N/C,N/O	Com,N/C,N/O	Com,N/C,N/O
Relay rating	3A/30VDC	3A/24VDC	3A/24VDC	3A/24VDC	3A/24VDC
Relay strike time	1~30 seconds	1~30 seconds	1~30 seconds	1~30 seconds	1~30 seconds
LED status indication	Green(Relay)	Green(Relay)	Green(Relay)	2x6 levels of LED indicator	2x6 levels of LED indicator
Temperature	-20~+70°C	-20~+70°C	-20~+70°C	-20~+70°C	-20~+70°C
Other					N/O,N/C output setting

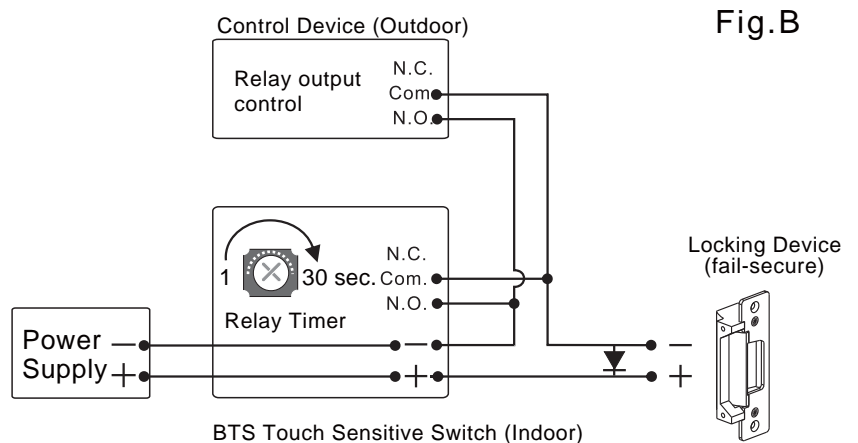
Wiring Diagram

The BTS touch sensitive exit button has N.O. and N.C. contact output and can be connected directly to a electromagnetic lock or a proximity reader in series (or in parallel).

In Fig.A, BTS controls the fail-safe locking device directly by series connection. BTS relay time is door-opening time.



In Fig.B, BTS controls the fail-secure locking device directly by parallel connection. BTS relay time is door-opening time.

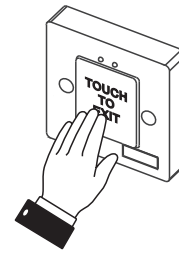
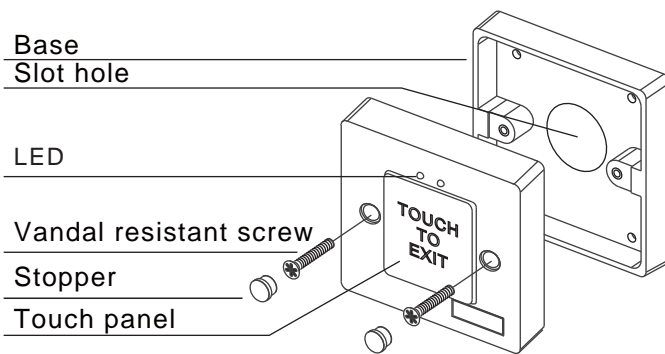


Note:

1. Make sure that the power input and relay rating output (3Amp/24VDC) are correct.
2. Make sure that the "+" and "-" wires are connected correctly.
3. The door strike or relay must have a varistor or a diode across the door strike terminals to suppress the back EMF of the strike. Failure to do so will damage the relay contacts and electronic components, or even burn the controller.

Illustration

BTS Touch Exit Button

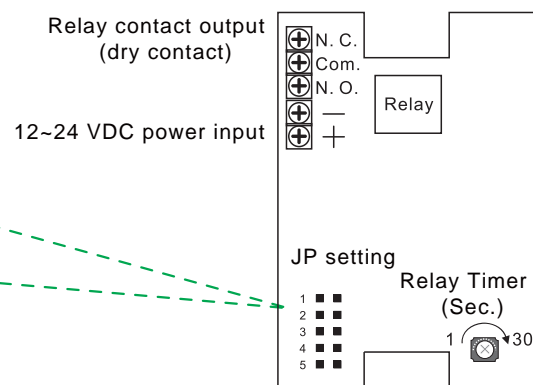


The relay will send the signals from N.C. into N.O. contact after your finger or a metal object touches the touch panel. Time delay can be adjusted from 1 to 30 seconds.

JP setting

1 ■■	Relay output Com.—N. C.	(Touch)	Relay output Com.—N. O.
1 ■■	Relay output Com.—N. O.	(Touch)	Relay output Com.—N. C.
2 ■■	(Light stay on)		
2 ■■	(Light flash)		
3 ■■ 4 ■■ 5 ■■	(Green)	(Touch)	(Red)
3 ■■ 4 ■■ 5 ■■	(Red)	(Touch)	(Green)
3 ■■ 4 ■■ 5 ■■	(Green)	(Touch)	(Off)
3 ■■ 4 ■■ 5 ■■	(Off)	(Touch)	(Green)
3 ■■ 4 ■■ 5 ■■	(Red)	(Touch)	(Off)
3 ■■ 4 ■■ 5 ■■	(Off)	(Touch)	(Red)

BTS-400-ANSI,300,486



Warranty

The product is warranted against defects in material and workmanship while used in normal service for a period of 1 year from the date of sale to the original customer. The GEM policy is one of continual development and improvement; therefore GEM reserves the right to change specifications without notice.