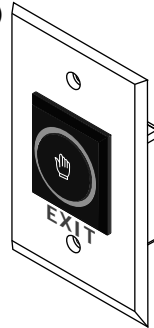


RTS-1000/1100A/2600 Infrared Sensor Exit Button Installation Instructions

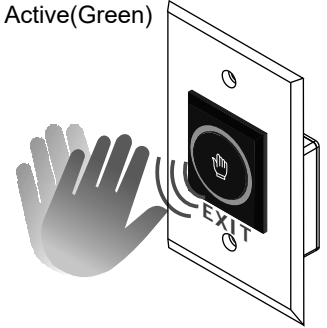
Specifications

- Operating Voltage: 12/24VDC
- Current Draw: Pull in 40mA; Holding 15mA
- Operating Temperature: -20~+55°C (-4°F~+131°F)
- Contacts: NO/ COM/ NC
- Relay Rating: 3A/12~28VDC
- Sensor Range: 1/16"~3 15/16" (0.1~10 cm)
- Operating Humidity: 0~95% (non-condensing)
- Faceplate Finish: Brushed stainless steel
- Dual LED, illuminated sensor ring indicates status:
Standby (Blue), Active (Green)

Standby (Blue)

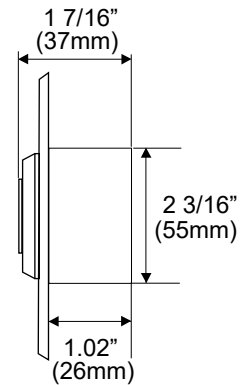
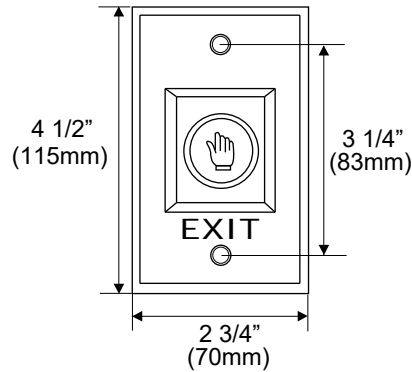


Active (Green)

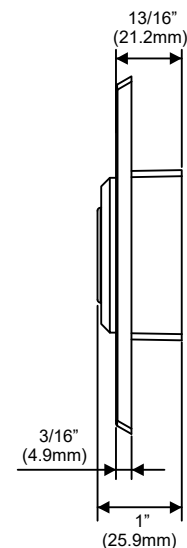
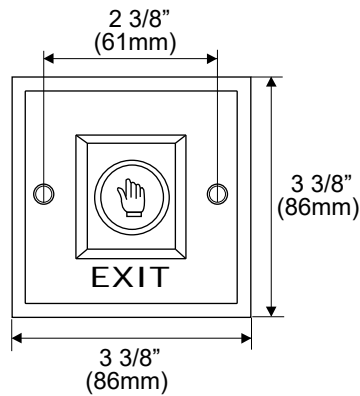


Dimensions

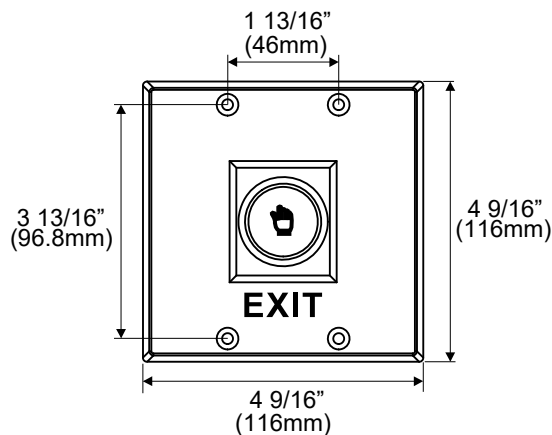
[RTS-1000]



[RTS-1100A]



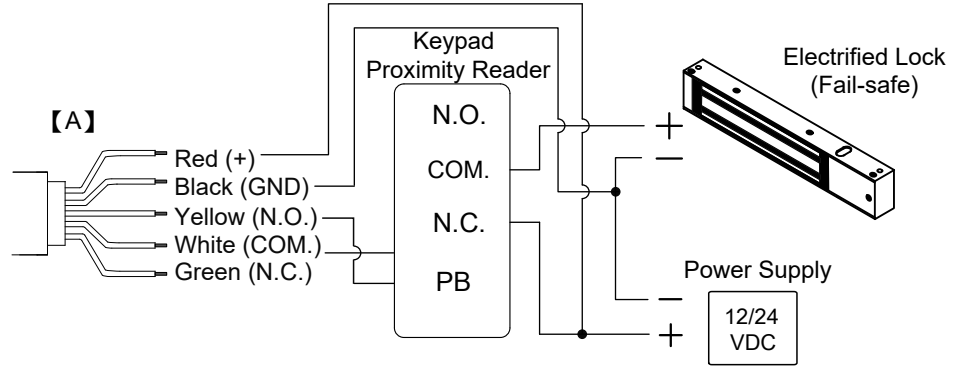
[RTS-2600]



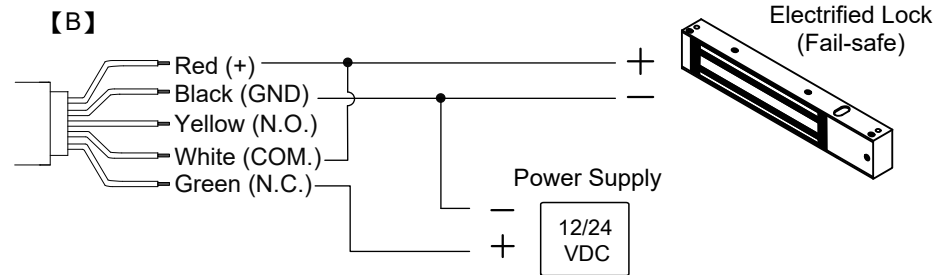
Wiring Diagrams

The RTS Infrared Sensor Exit Button includes one set of output contacts NC/NO/COM. It can directly control electrical devices (i.e. electrified locks) or can be compatible with digital keypads or proximity readers. Please refer to the wiring instructions below.

In Figure A, the RTS connects to the Request-to-Exit input contact. Relay output time can be set as 0.5 seconds.



In Figure B, the RTS controls a fail-safe locking device. If it controls a fail-secure lock, the contact will be in a N.O. position. Relay output time is door opening time.



Caution:

To avoid wire burning, do not exceed maximum relay rating: 3A/28VDC.