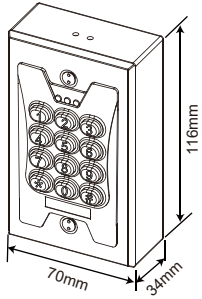
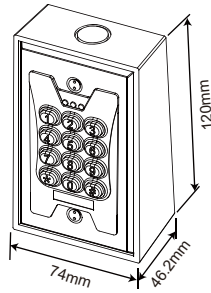


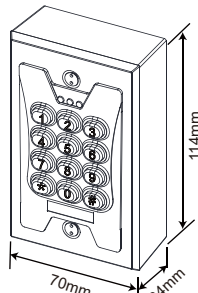
■ PSM-35-D Series can be matched with controller



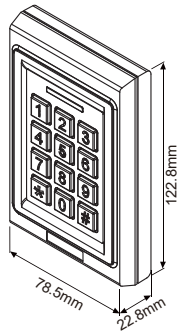
DG-350A



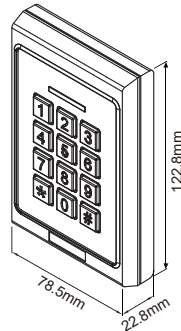
DG-350B



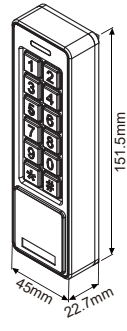
DG-350C



DG-700



DG-750



DG-760



DG-770-TP

■ Optional power cord



P-CB-AS-1.8



P-CB-EU-1.8



P-CB-UK-1.8



P-CB-US-1.8

PSM-35 Switching Power Supply with Battery

■ Features

- ◆ Detachable design allow user replaced batteries
 - ◆ Compatible non-protected 18650 Lithium-ion* rechargeable cell
 - ◆ Fully Input and Output Protections
 - ◆ LED Indicator for AC Power ON, Normal DC Output and Battery Charging
- (*Operating temperature has not been verified by CE)

■ Specification

- ◆ Input:
 - Rated Voltage (VAC): 100 – 240
 - Voltage Range (VAC): 90 – 264
 - Rated Frequency (Hz): 50 / 60
 - Frequency Range (Hz): 47 – 63
 - Current (A): ≤ 0.8
 - No Load Power Consumption (W): ≤ 0.5
 - Energy Efficiency (%): ≥ 84 at full load

- ◆ Output:
 - Rated Voltage (VDC): 12.5V
 - Voltage Range (VDC): 12.25 – 12.75V
 - Rated Current (A): 2.8
 - Current Range (A): 0 – 2.8
 - Ripple and Noise (mVp-p): 120 max.
 - Rise Time (ms): ≤ 80 at full load
 - Hold Up Time (ms): ≥ 50 at full load

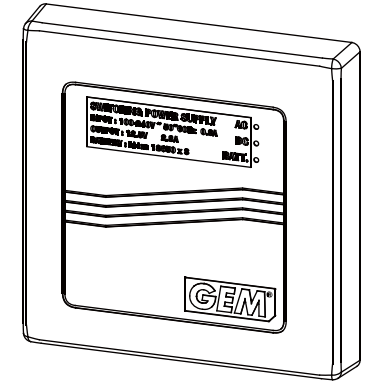
- ◆ Lithium battery users purchase reference:
 - Battery Recharge Time: Approx. 7 hours to fully recharge a completely exhausted battery at 25°C ambient temperature
 - Battery Charging Current (A): 0.2 – 0.3
 - Rated Power (W): 40 max.

- ◆ Protection:
 - AC Input: Current fuse protection
 - Output Short-Circuit: Hiccup mode occur and auto-recover without damage when fault conditions are removed.
 - Output Over Voltage (V): 15 – 18
 - Output Over Current (A): 3.3 – 3.9
 - Over Temperature (°C): 110 \pm 10 (output shutdown, reset by recycle AC input)
 - Battery Low-Voltage (V): 9.0 \pm 0.5

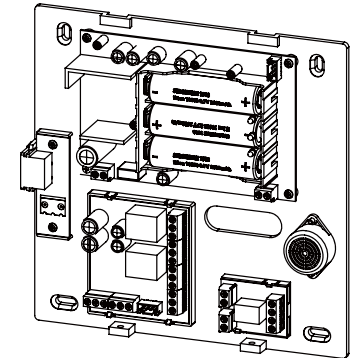
- ◆ Environment Specification:
 - Operating Temperature Range (°C): -20 ~ +40
 - Operating Humidity (%): 5 ~ 90 RH
 - Storage Temperature (°C) / Humidity (%): -25 ~ +70 / 5 ~ 90 RH

- ◆ Led Indicator:
 - AC / DC: Lit when AC input normal and DC output normal
 - BATT: Lit when the battery is charging, Off when the battery has been fully recharged or AC input fault

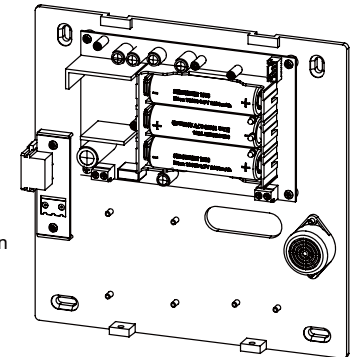
- ◆ Others:
 - Dimensions (mm): 196.5(L) \times 196.5(W) \times 43(H)



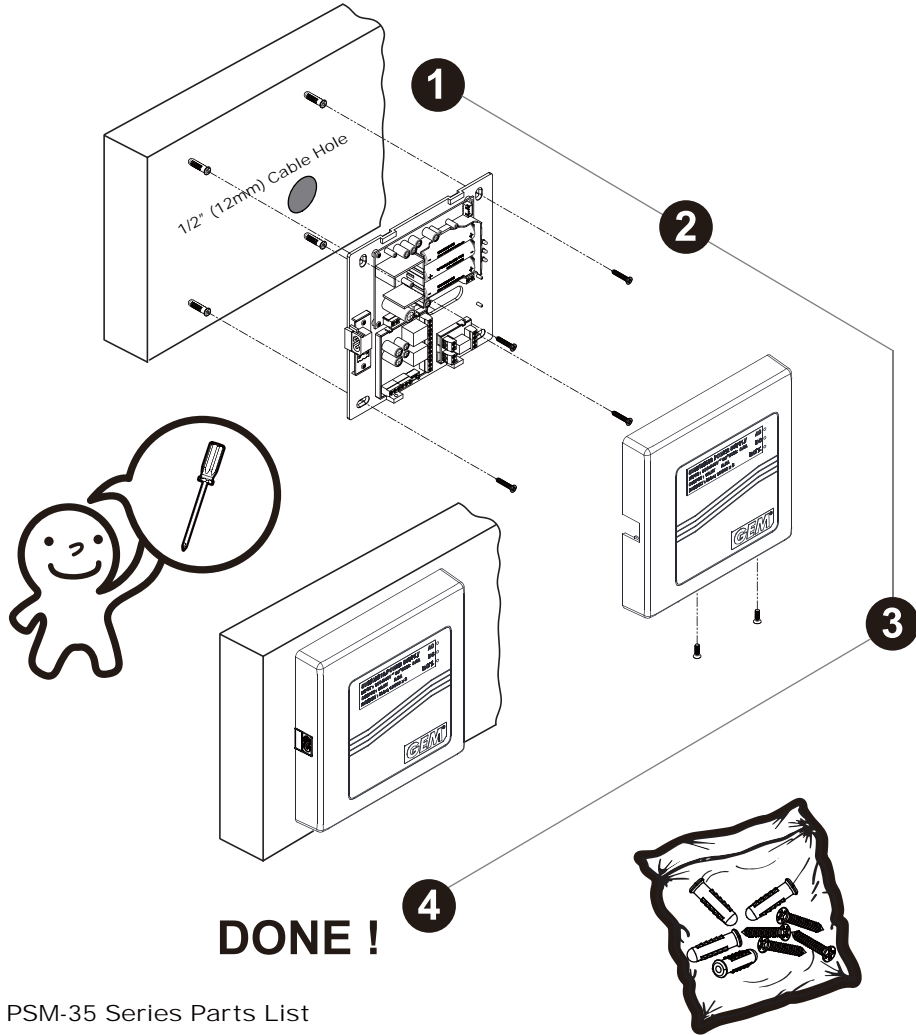
■ PSM-35-D Series





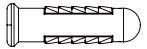
■ PSM-35-X Series



■ PSM-35 Series Installation



■ PSM-35 Series Parts List

Flat head phillips screws , Cone point	Anchor bolts
  X4	 X4

■ PSM-35-D Series Wiring

