

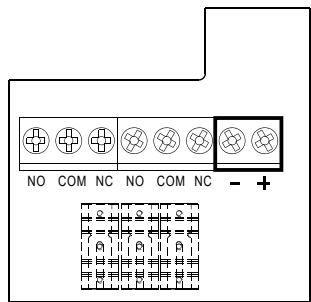
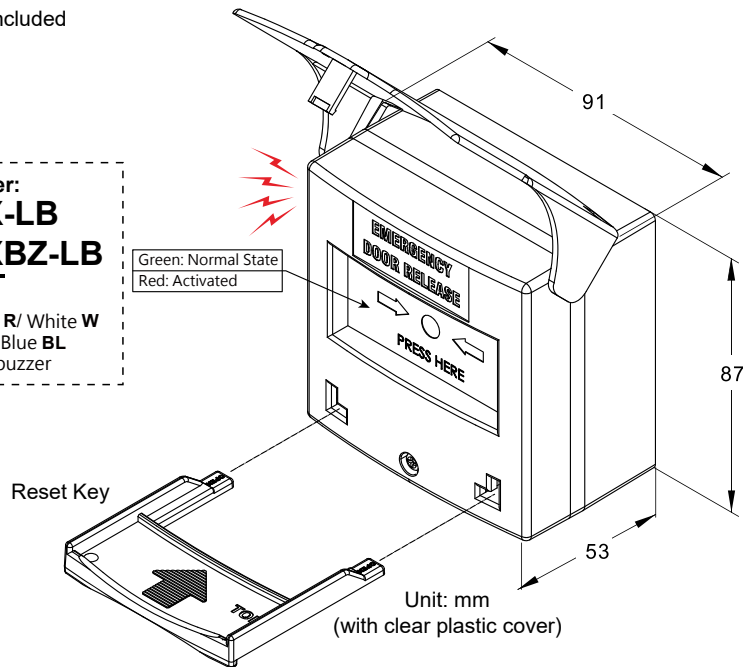
CP-42-LB,CP-42BZ-LB Series Resettable Call Point Instruction Manual (Green/Red Backlight & Built-in Buzzer)

- Operating voltage: 12/24VDC
- Dimensions: 87x91x53 mm (with clear plastic cover)
- Contact resistance: 100mΩ
- Rating: Up to 3A 125VAC / 1.5A 250VAC
- Limit switch contact output
- Backlight illumination: Green (normal state), Red (activated)
- Built-in buzzer: 80 dB (For CP-42BZ-LB)
- Plastic case: Green / Red / White / Yellow / Blue
- Reset key included

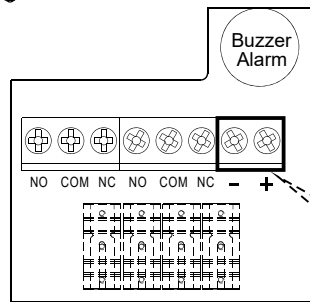
Part Number:
CP-42X-LB
CP-42XBZ-LB

Green G/ Red R/ White W
Yellow Y/ Blue BL
BZ for buzzer

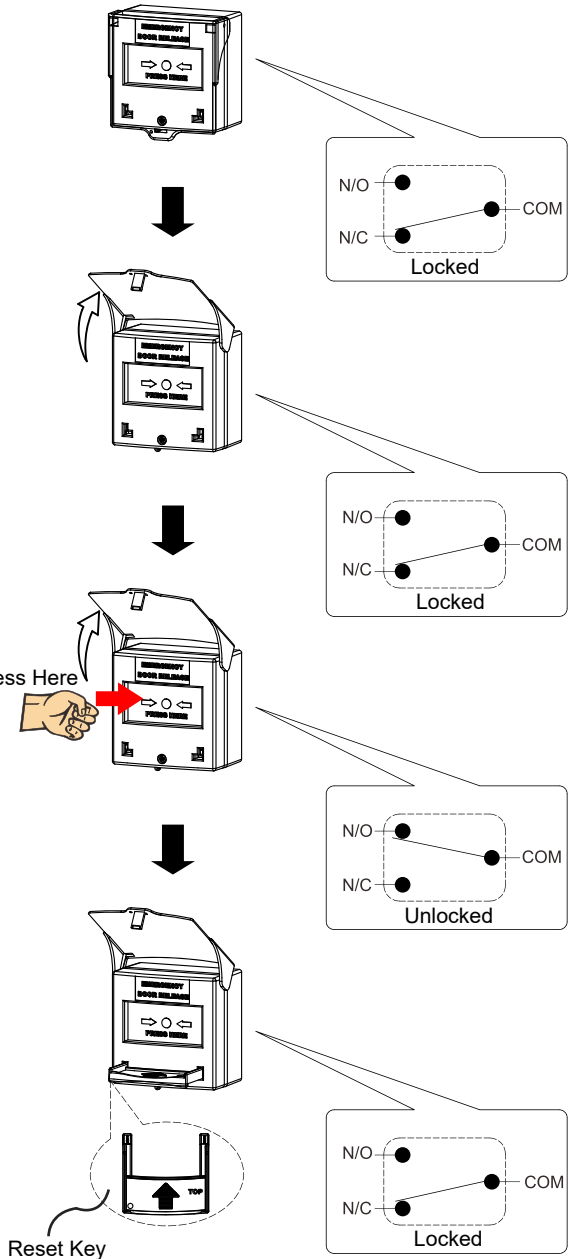
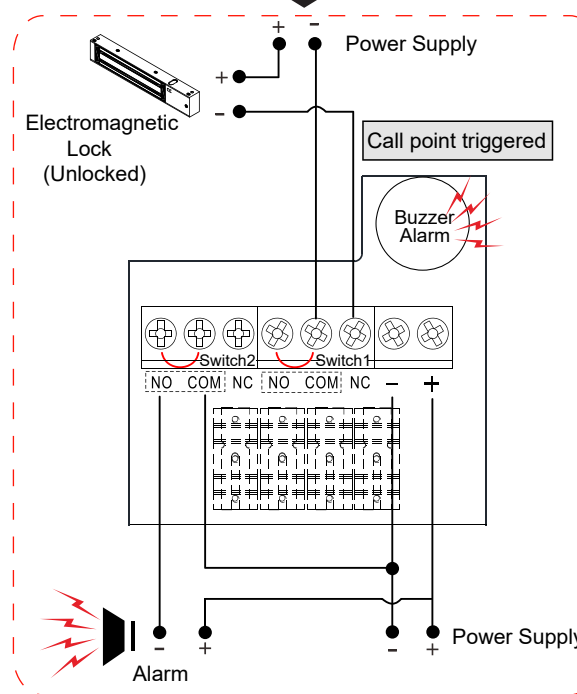
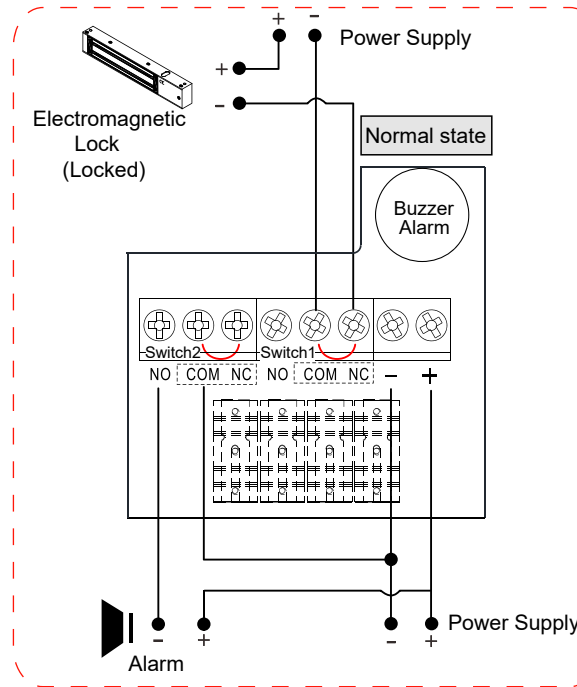
Green: Normal State
Red: Activated



CP-42X-LB

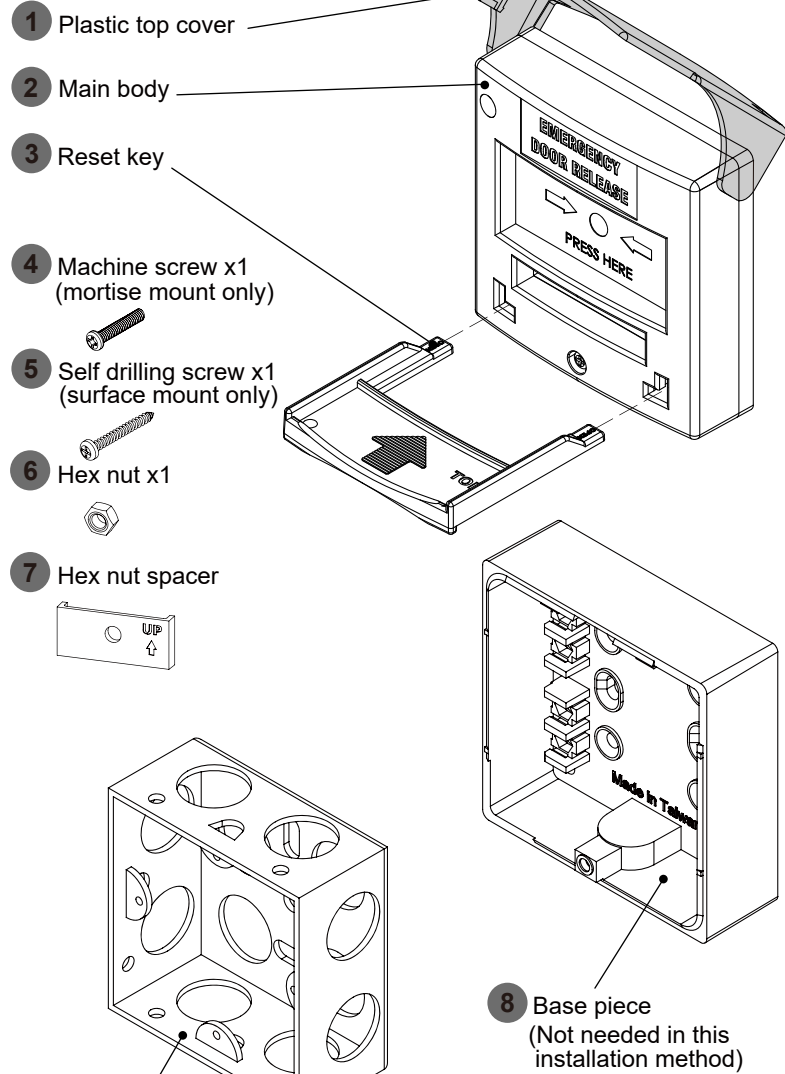


CP-42XBZ-LB



CP-42 Series Mortise Mount Installation Instructions

CP-42 Components



Recommend using 1 gang flush mount box conformed to BS4662 (Not included)

