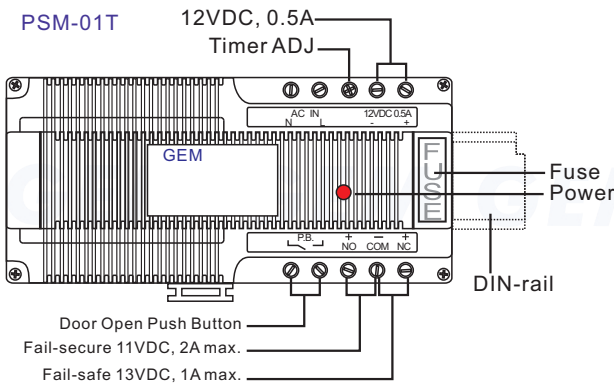


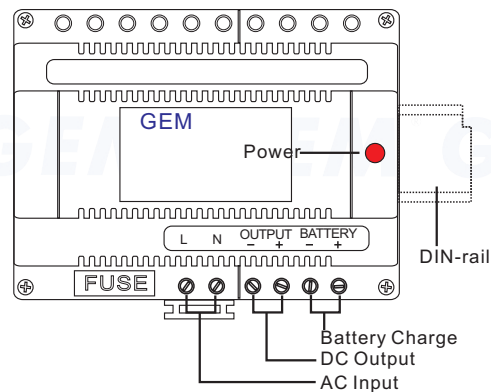
DIN-Rail

Specifications

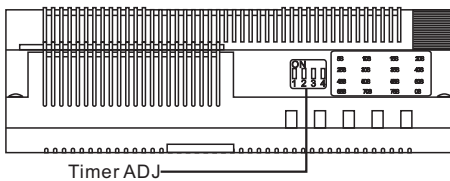
Model	Input	Output	Battery Charge	Power	Timer Delay	Fuse	Weight Size
PSM-01T-4	230 VAC	Regulated :12VDC 0.5A Output 2 :11VDC 2A	×	24W	0~75 seconds	T0.35AL 250V	157.5*99*68 mm 1 Kg
PSM-01T	230 VAC	Regulated :12VDC 0.5A Output 2 :11VDC 2A	×	24W	0~60 seconds	T0.35AL 250V	157*99*67 mm 1 Kg
PSM-02	110 (or 230) VAC	12VDC 1.5~2A 12VAC 0.5A	×	24W	×	T0.63AL 250V	157*99*68 mm 950 g
PSM-112S	100~240 VAC	13.8VDC 1A	14.5VDC / 280mA	13.8W	×	T1AL 250V	122*100*68 mm 250 g
PSM-312S	100~240 VAC	13.8VDC 3A	14.5VDC / 280mA	41.4W	×	T2AL 250V	122*100*68 mm 340 g
PSM-512S	100~240 VAC	13.8VDC 4.35A	14.5VDC / 280mA	60W	×	T3.15AL 250V	122*100*68 mm 354 g



PSM-112S, 312S, 512S



PSM-01T-4



Jumper setting = Protect (default)
 Not Protect

Warranty

The product is warranted against defects in material and workmanship while used in normal service for a period of 1 year from the date of sale to the original customer. The GEM policy is one of continual development and improvement; therefore GEM reserves the right to change specifications without notice.

GIANNI INDUSTRIES, INC.