

● Features

- Holding force up to 1200 lbs (545 kg) static strength
- Strengthened mounting plate perfectly secures maglock
- Suitable for harsh environment
- Stainless steel vandal resistant casing
- Anti-Residual Magnetism (ARM) function
- Optional bond sensor output

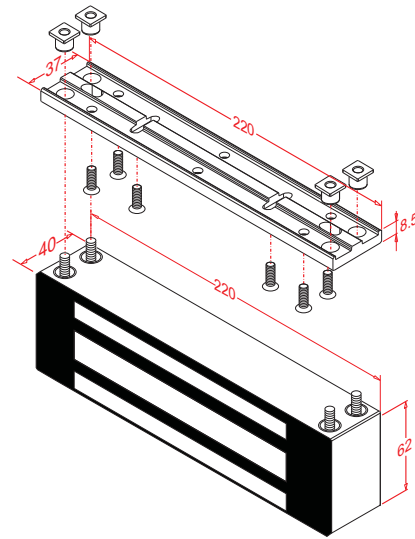
● Statement

N10010ST is designed for surface mount on out-swing doors. The retention of maglock is strong due to deeper screw holes in the mounting plate. With stainless steel housing, it is suitable for outdoor applications and severe weather conditions. Both N10010STM comes with magnetic bond sensor indicating locked and unlocked status.

● Specifications

- Operating Voltage: Single Voltage: 12 or 24VDC
Dual Voltage: 12/24VDC
- Current Draw:
Single Voltage: 460mA/12VDC, 250mA/24VDC
Dual Voltage: 500mA/12VDC, 250mA/24VDC
(at temperature 20°C)
- Bond sensor output
(N10010STM):
SPDT rated: 0.2A/15VDC
(N10010STR):
SPST rated: 0.5A/20VDC
- Operating temperature: -10~55°C (14~131°F)
- Humidity: 0~95% non-condensing
- Holding force: Up to 1200lbs (545Kg)
- Dimensions:
Magnet:(L) 220, (W) 62, (D)40 mm
Armature plate:(L) 185, (W) 61, (D) 16 mm
- Special finishes for magnet and armature plate:
Zinc plated
- Epoxy potting compound: E87252 (S), UL94V-0
- Weight(Approx.):5.1kg

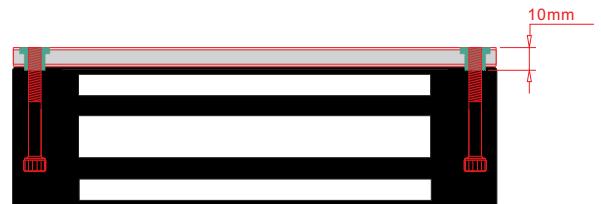
● Dimension



Unit: mm

● New style mounting plate

10mm thickness to increase immobility and strength.



GIANNI INDUSTRIES, INC.

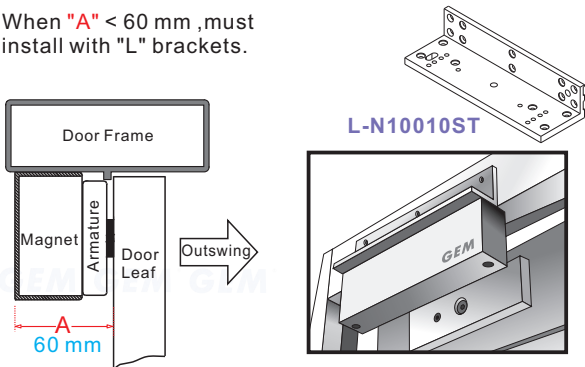
No. 13, Zhongxing Rd., Tucheng Dist., New Taipei
City 236, Taiwan (R.O.C.)
Tel: 886-2 2267 7986 / Fax: 886-2 2267 9876
E-Mail: inquiry@gianni.com.tw
Website: gianni.tw

Optional Brackets

The choice of an appropriate bracket is important to fully coordinate with the magnetic lock. Brackets are selected according to the direction of door swing and the thickness of door frame.

L-bracket for narrow door frames

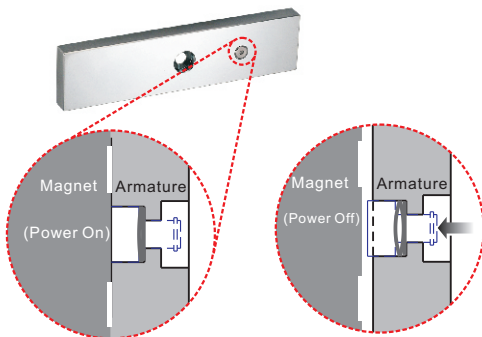
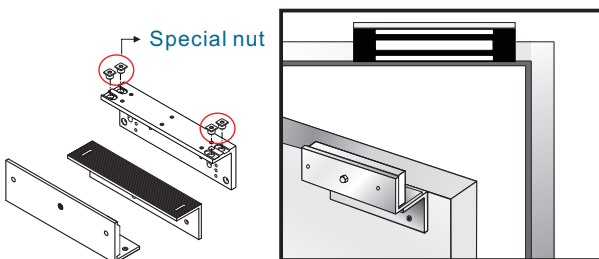
When "A" < 60 mm, must install with "L" brackets.



This series of Waterproof Magnetic Lock is protected by epoxy potting compound. Also, GEM Waterproof Series Magnetic Locks have been proved to withstand water with the test procedures of IPX7, IPX8 by a trusted third party. Therefore users need not worry that the lock will rust or spark, if the lock is in outdoor applications and installed in confined space where inflammable gases are stored.

LZ-bracket for inswing doors

LZ-N10010ST



Anti-residual statement

Our electromagnet locks feature Anti-Residual Magnetism (ARM) which ensures the door can be opened without any resistance from left over magnetism imparted to the armature plate

Warranty

The product is warranted against defects in material and workmanship while used in normal service for a period of 5 years from the date of sale to the original customer. The GEM policy is one of continual development and improvement; therefore GEM reserves the right to change specifications without notice.