



Patents
M338884(Taiwan)

Features

- Easily Changeable control version
- Long life solenoid
- For double swing door

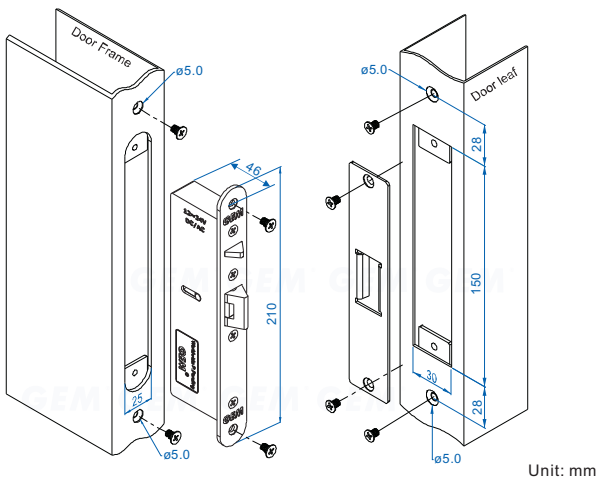
Statement

ML-210N-SW series of electromechanical locks operate on a solenoid valve. The locks can be horizontally or vertically installed on double-swing doors. It's also easy to change between fail-safe and fail-secure modes in the field. The faceplates of ML-210N-SW series are merely 25-mm wide and suitable for any width of door-leaf.

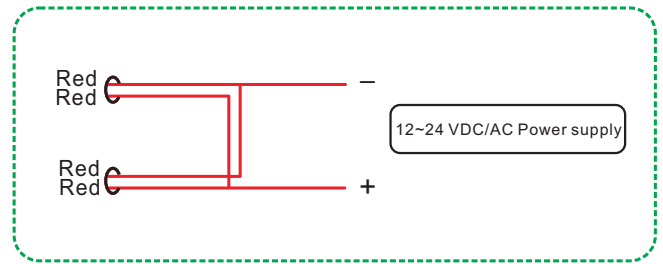
Specification

- Operating Voltage : 12~24VDC/AC
- Current Draw : 210mA/12VDC; 150mA/24VDC
- VersionChangeable: Fail-Safe or Fail-secure
- Operating Temperature: -10~45°C
- Humidity: 0~95% non-condensing
- Lock Bolt Sensor Switch Output: SPDT rated 3A/125VAC
- Solenoid testing: Tested up to 1,000,000 cycles
- Net Weight: 594g
- Applicable to horizontal and vertical installation

Dimension

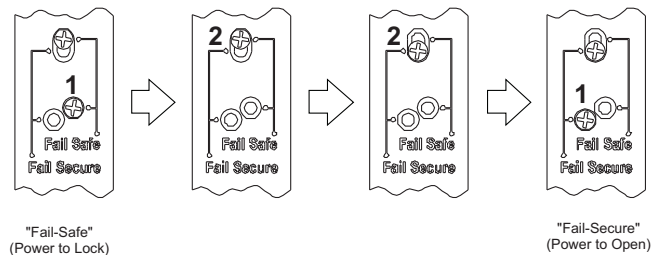


Lock bolt sensor status output

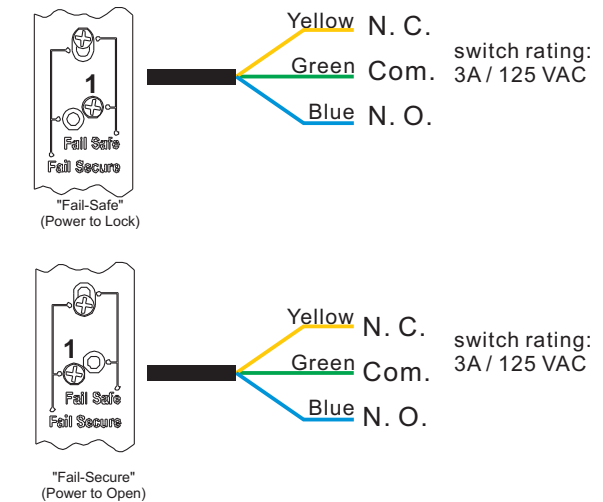


Switchable Version

The Electromechanical Lock is easily changed between fail-safe and fail-secure modes.

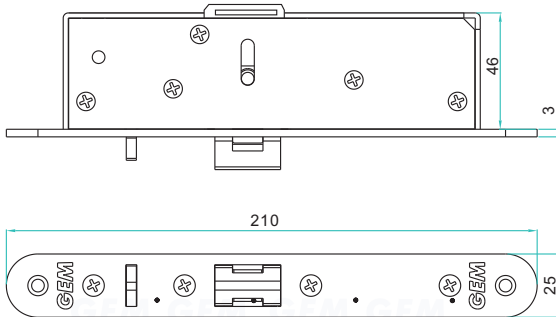


Lock bolt sensor switch output



● Breakthrough in innovation ideas

Slim lock body can be flush mounted directly into metal such as door mullions. The electromechanical Lock is very lightweight. 25 mm wide faceplate is designed for installation in virtually all types of doors and frames.



Unit: mm

● Long life solenoid

Special solenoid is designed for strength and long life and guarantees a lifetime operating for at least 1,000,000 times.

● Warranty

The product is warranted against defects in material and workmanship while used in normal service for a period of 1 year from the date of sale to the original customer. The GEM policy is one of continual development and improvement; therefore GEM reserves the right to change specifications without notice.

GIANNI INDUSTRIES, INC.

No. 13, Zhongxing Rd., Tucheng Dist., New Taipei
City 236, Taiwan (R.O.C.)
Tel: 886-2 2267 7986 / Fax: 886-2 2267 9876
E-Mail: inquiry@gianni.com.tw
Website: gianni.tw