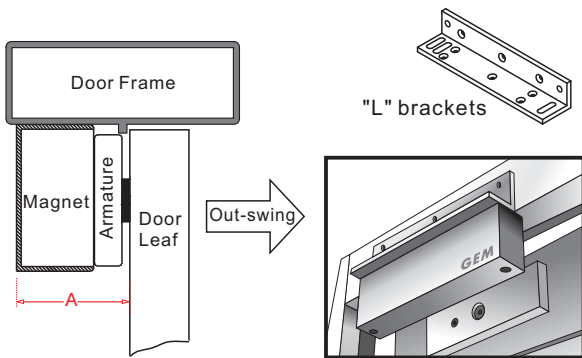
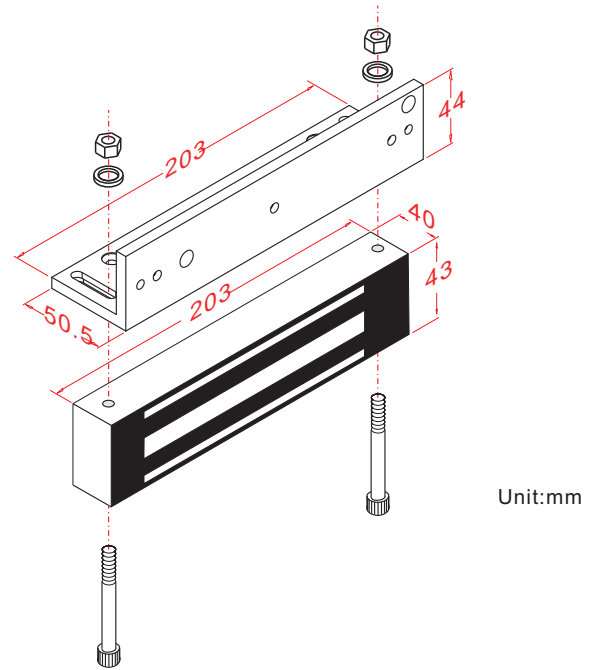
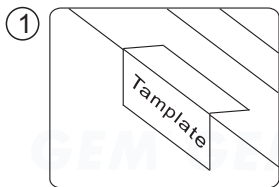


Application for the Electromagnet: GL600-S

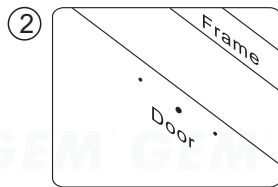


L-bracket for narrow door frames
When "A" < 60 mm ,must installed with "L" brackets.

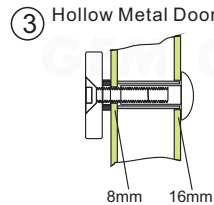
Installation of L bracket on Out-swing Doors



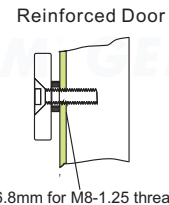
1 Fold the mounting template 90° angle along the dotted line.



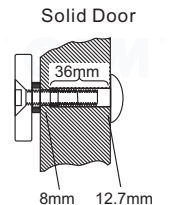
2 Drill the holes marked on the template.



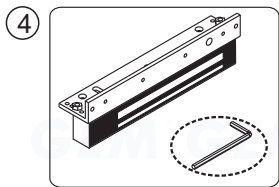
3 Hollow Metal Door
Drill a hole 8 mm in diameter through the door. Enlarge the hole to 16 mm from outside.



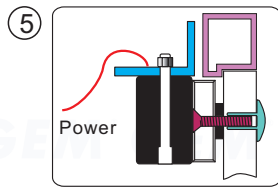
3 Reinforced Door
Drill a hole 6.8 mm in diameter from inside. Screw with a M8-1.25 thread.



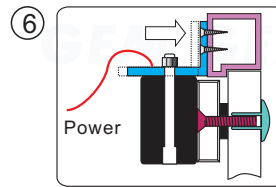
3 Solid Door
Drill a hole 8 mm in diameter through the door. Enlarge the hole to 12.7 mm from outside. The thickness of the door is 36 mm.



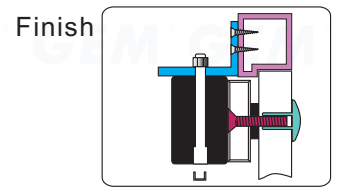
4 Assemble the electromagnet and L bracket with an Allen wrench.



5 Turn on the power of electromagnet. Let the electromagnet and the armature plate bond together. Press L bracket against the door frame.



6 Fasten L bracket on the door frame.



Finish Test the unit. Tap the plugs into the electromagnet