

● Features

- Up to 16 controllers
- one controller for 2 doors (one serving as entry, the other as exit); one controller for 1 door (serving as both entry and exit)
- User friendly software
- 8 Access control levels
- 5 Time zones per access level
- Up to 2000 users
- Full reporting facility
- User defined fields
- Secure reader technology
- Built-in backup/restore/repair facility
- The software is required for all programming of the system, downloading transactions and printing reports.



● Statement

The system is based on a controller that supports two readers which can be mounted up to 50 meters away from the controller with a simple 3-wire connection. The controller can be configured to operate a single one-entry-and-exit door or two independent doors.

The controller has a RS-232 connection allowing single controller systems a simple means of connecting to a PC provided that the cable run is less than 30 meters. The controller also has a RS-485 connection that will support up to 16 controllers connected in a RS-485 network to a PC thus allowing the control of up to 32 doors.

In this configuration the PC will require a 311 RS-232/485 Interface/Repeater to interface with the RS-485 network. The Secure Card readers are fully potted and suitable for mounting outdoors. Tampering with these readers will not impair the systems security.

The security is further enhanced by using the Secure Card technology which prevents third party from duplicating cards to operate on the system. The controller has a 4-way dip switch to set each unit to a unique address in the range 0-15.

This address added to the reader identification (reader A or B) uniquely identifies each reader for programming and transaction reporting. Access Parameter settings are used to define access rights at each of the readers. Programming is done from a PC using the KeyProx Plus Windows software.



655-20
Controller



656-20-1
Secure Mini Reader



311-30
RS-485 to RS-232
converter

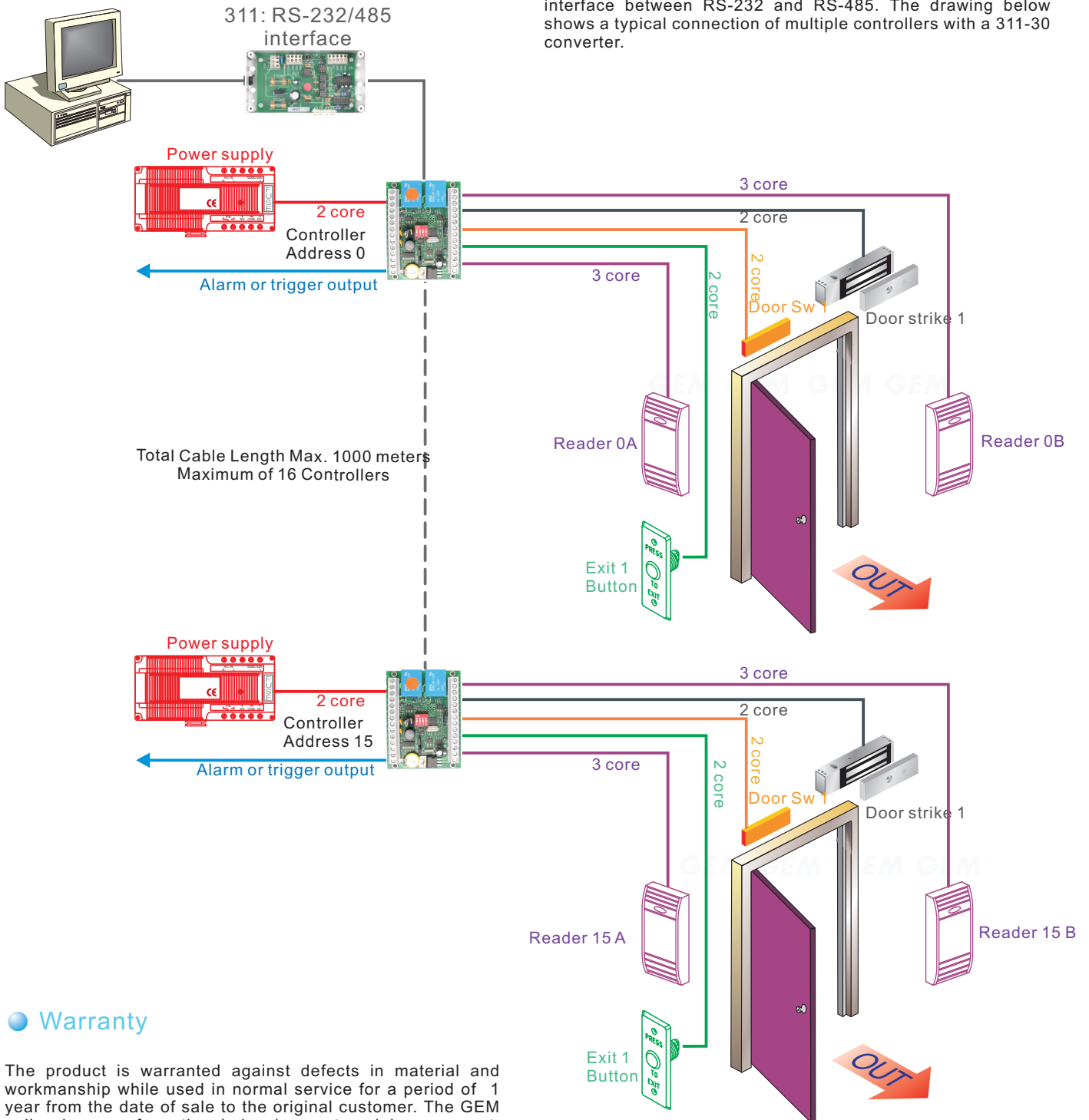


657-20-1
ANSI-sized Reader

GIANNI INDUSTRIES, INC.

Multi-Controller System

RS-485 must be used where the distance between the controller and the PC is greater than 30 meters or for installation of multiple controllers. The PC will require a 311 converter to interface between RS-232 and RS-485. The drawing below shows a typical connection of multiple controllers with a 311-30 converter.



Warranty

The product is warranted against defects in material and workmanship while used in normal service for a period of 1 year from the date of sale to the original customer. The GEM policy is one of continual development and improvement; therefore GEM reserves the right to change specifications without notice.

Gianni supplies all accessories for access control application including maglock, electric bolt lock, electric strike, exit button, power supply, prox cards or fobs.

GIANNI INDUSTRIES, INC.

No. 13, Zhongxing Rd., Tucheng Dist., New Taipei City 236, Taiwan (R.O.C.)
Tel: 886-2 2267 7986 / Fax: 886-2 2267 9876
E-Mail: inquiry@gianni.com.tw
Website: gianni.tw