



Waterproof Test:
Reference to IEC 60529 Edition 2.1: 2001-02-IPX7

Features

- High reliability
- Dual voltage 12 or 24 VDC (selectable)
- MOV provides spike and surge protection
- Anti-Residual magnetism function
- Holding force up to 1200lbs

Statement

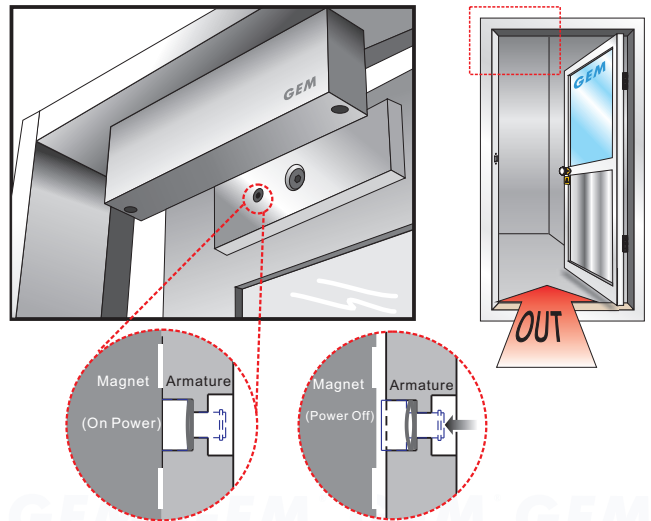
The Electromagnetic Locks are totally sealed in an epoxy filled stainless steel case for water-resistant and vandal-resistant purpose. A threaded conduit fitting ensures weather resistant protection of the wiring therefore it is ideal for indoor and outdoor applications, even in severe weather.

With up to 1200 pounds holding force with 12V DC power input (24V DC or 12/24V DC dual input voltage available by special order), it is the best choice for electronic security industry and system integrators.

Specifications

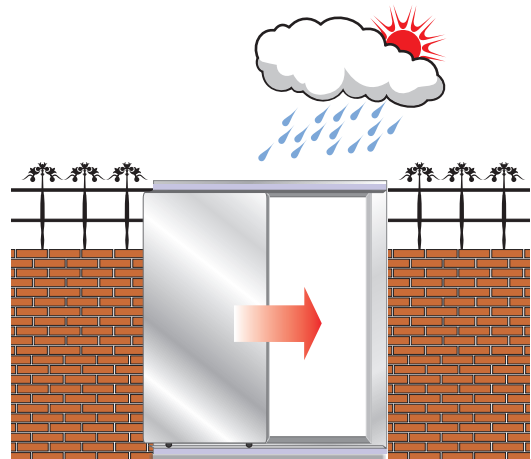
- Operating Voltage: 12/24VDC
- Current Draw: 500mA/12VDC , 250mA/24VDC (at temperature 20°C)
- Bond sensor output (GL-1200R): 0.5A/20VDC
- Operating Temperature: -10~55°C (14~131°F)
- Humidity: 0~95% non-condensing.
- Holding Force: Up to 1200 lbs (545 Kg)
- Dimensions:
 - Magnet: (L) 202, (W) 62, (D) 40 mm
 - Armature Plate: (L) 185, (W) 62, (D) 16 mm
- Special Finishes for magnet and armature plate: Zinc plated
- Epoxy Potting Compound: E87252 (S), UL94V-0
- Net Weight : 4.8 Kg

Regular Installation



Anti-residual statement

Our electromagnet locks feature Anti-Residual Magnetism (ARM) which ensures the door can be opened without any resistance from left over magnetism imparted to the armature plate



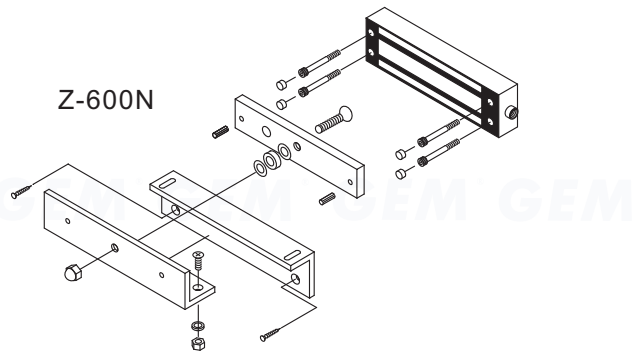
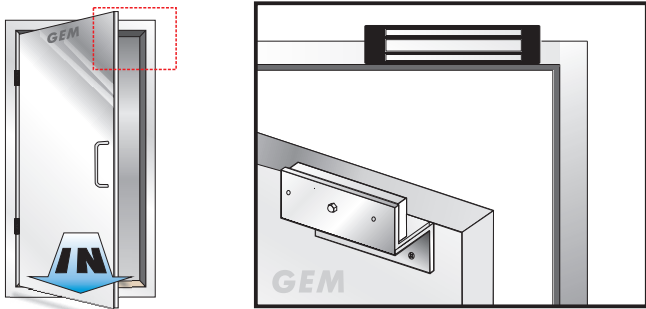
This series of Waterproof Magnetic Lock is made with epoxy potting compound and is protected by this compound. Also, GEM Waterproof Series Magnetic Locks have been proved to have withstood a water resistance as established in accordance with the test procedures of IPX7, IPX8 through a trusted third party. Therefore users need not worry that the lock will be rusted or sparked, if the lock is using in outdoor applications and installing in confined space where any inflammable gas.

Warranty

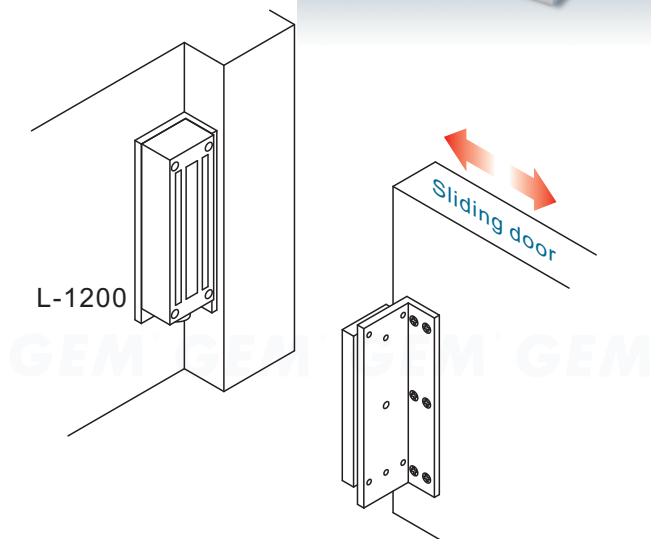
The product is warranted against defects in material and workmanship while used in normal service for a period of 5 year from the date of sale to the original customer. The GEM policy is one of continual development and improvement; therefore GEM reserves the right to change specifications without notice.

GIANNI INDUSTRIES, INC.

Optional Brackets With Z-bracket for inswing doors



With L-bracket for sliding door



GIANNI INDUSTRIES, INC.