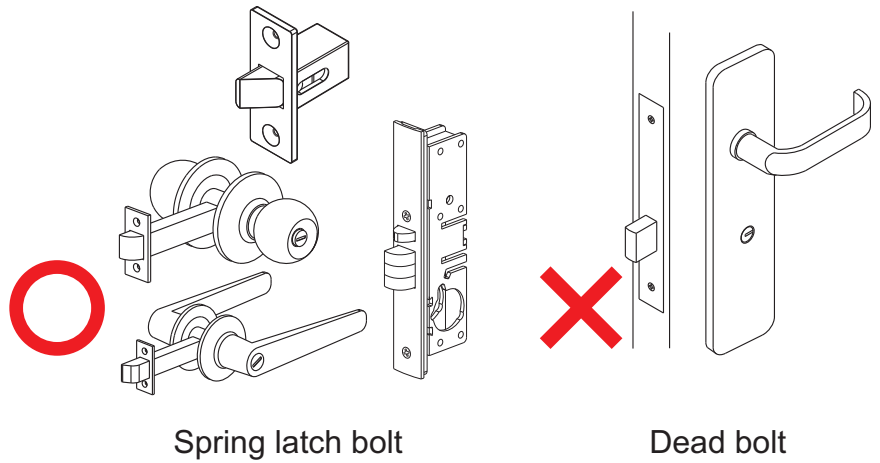


Electric Strike vs Mechanical Lock Set

The Electric Strike can be operated automatically and manually if used with mechanical lock set. Please refer to the following illustration for electric strike and the lock set application.

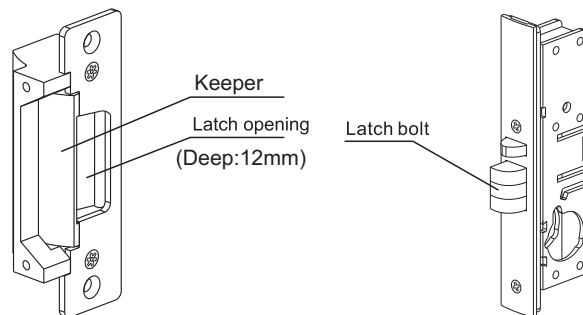
1

GK300 series electric strikes are designed for spring latch or lockset (e.g. cylindrical locks) while dead bolts are used with special designed electric strikes.



2

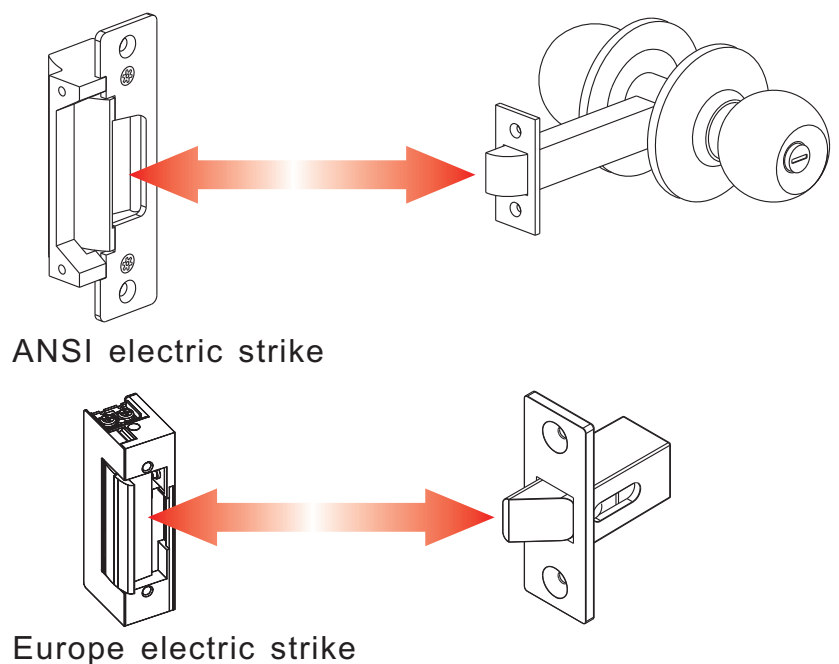
GK300 series electric strikes control the movement of keeper allowing the latch bolt to fix and the door to lock. The latch opening is 12mm in depth, same as the length of latch bolt.



3

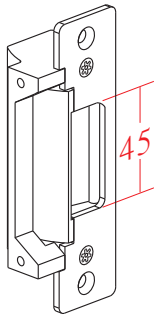
The latch opening of ANSI strike is wider and suits to most of the spring latches or mechanical latch bolts.

European size strike has narrower latch opening and suits only to narrow latch bolt.

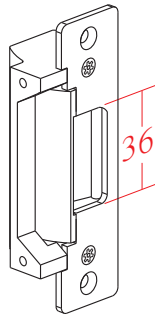


Electric Strike vs Mechanical Lock Set

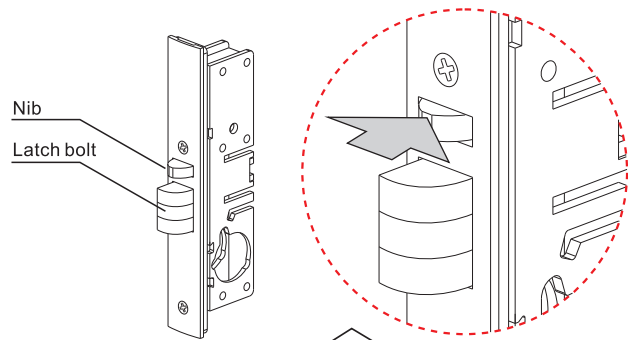
4



GK300 series



GK310 series



What is a Nib?
When the door is closed, the Nib makes the latch a dead bolt. The latch bolt locks into the keeper of the door frame to make sure that it is closed.

GK300 series electric strikes are suitable for use with the mechanical lock set (with a Nib) to match with the latch opening (36mm).

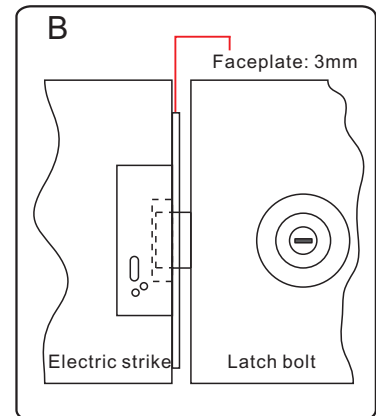
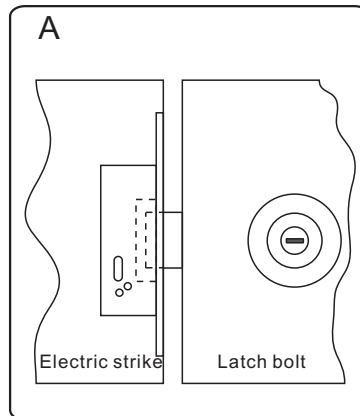
5

Door gap and different installation affects the depth of storing the latch bolt in the electric strike.

(e.g. Drawings)

A. 「Fully mortise」 mount, the strike with faceplate entirely installed inside the door frame.

B. 「Semi mortise」 mount, only the strike main base installed, the faceplate is outside of the frame and allow 3mm thickness.



6

Gk300 series electric are recommended for installation on metal door frame for its short faceplate (124mm) while GK301 are installation on wood door frame for the long faceplate.

