



STANDARD FEATURES

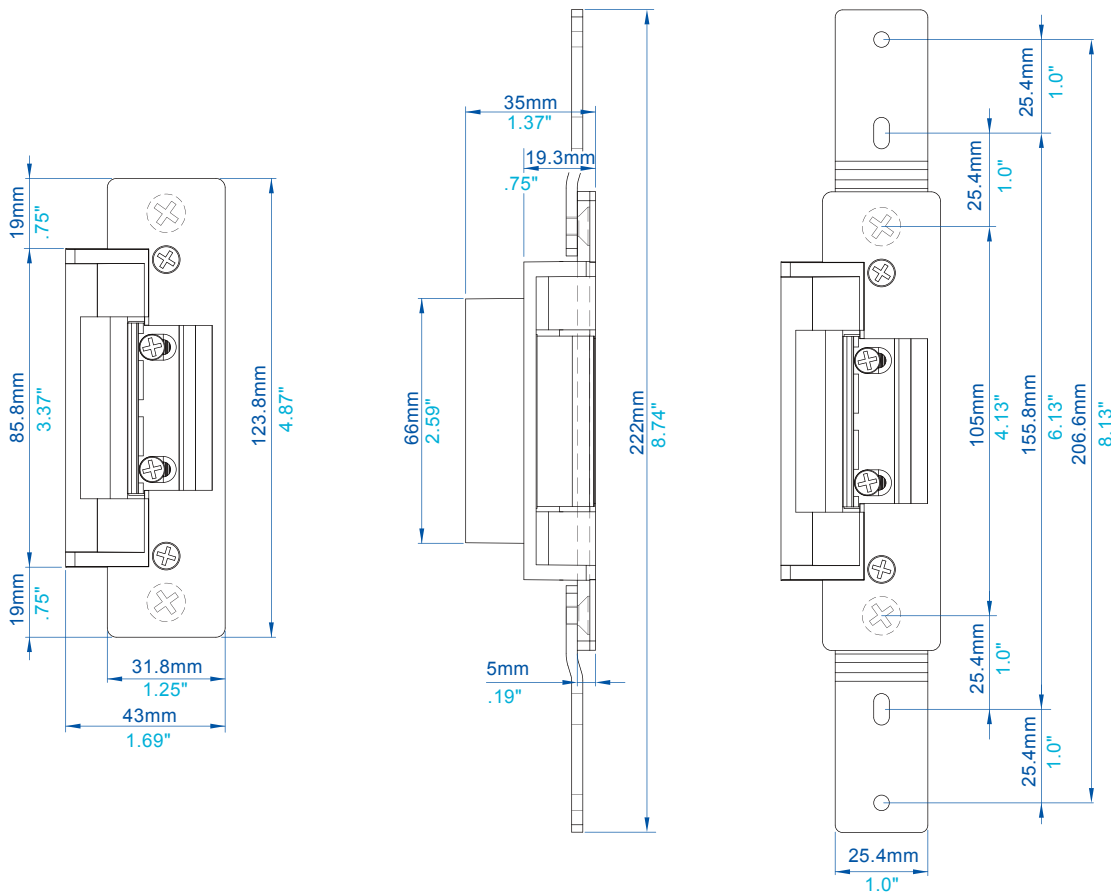
01. **Electric strikes** for use with mortise and cylindrical locksets.
02. For Commercial and Residential, New or Retrofit Uses.
03. Retrofits into the most popular prep in the industry!
04. Stainless steel ANSI size Faceplate.
05. Frame Type- Hollow Metal, Aluminum, or Wood.
06. Corrosion- Resistant case and moving parts.
07. Cycle Test 500,000 cycles.
08. Max. latch throw: 16mm (5/8") , width: 44.5mm
09. Strike Depth 1.37" Overall.
10. Reversible - Non Handed.
11. Adjustable Keeper (Max.3mm).
12. Limited Warranty - **36Months**.



STAINLESS STEEL FACEPLATE

P-FP-S-GK580-ST

ANSI FACEPLATE 1 1/4" x 4 7/8"



GIANNI INDUSTRIES, INC.

Available in the following Voltages:

● Fail-Safe

GK580-001=12VDC (Continuous Duty)

GK580-002=24VDC (Continuous Duty)

● Fail-Secure

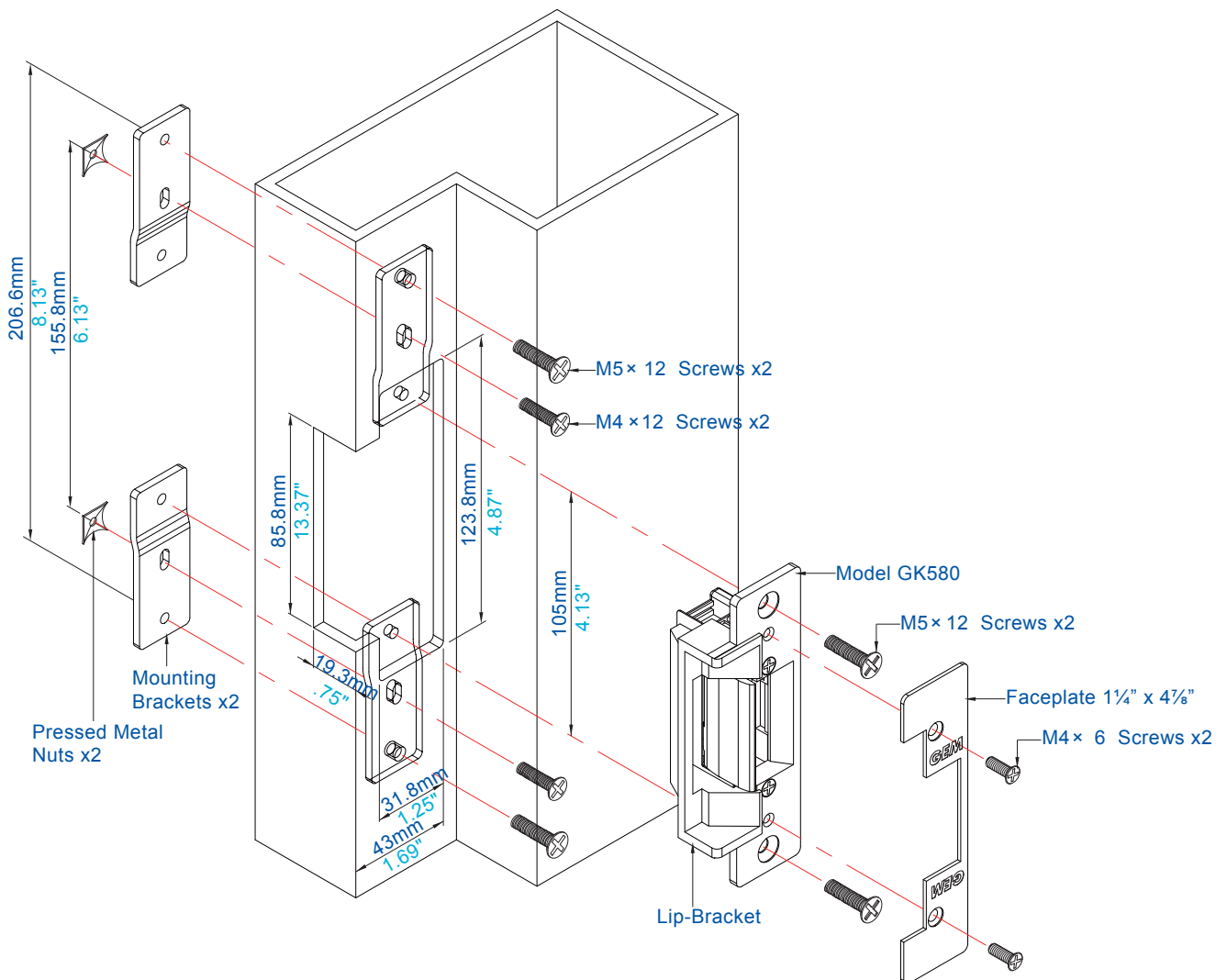
GK580-101=12VDC (Intermittent Duty)

GK580-102=24VDC (Intermittent Duty)

GK580-151=12VDC (Intermittent Duty)

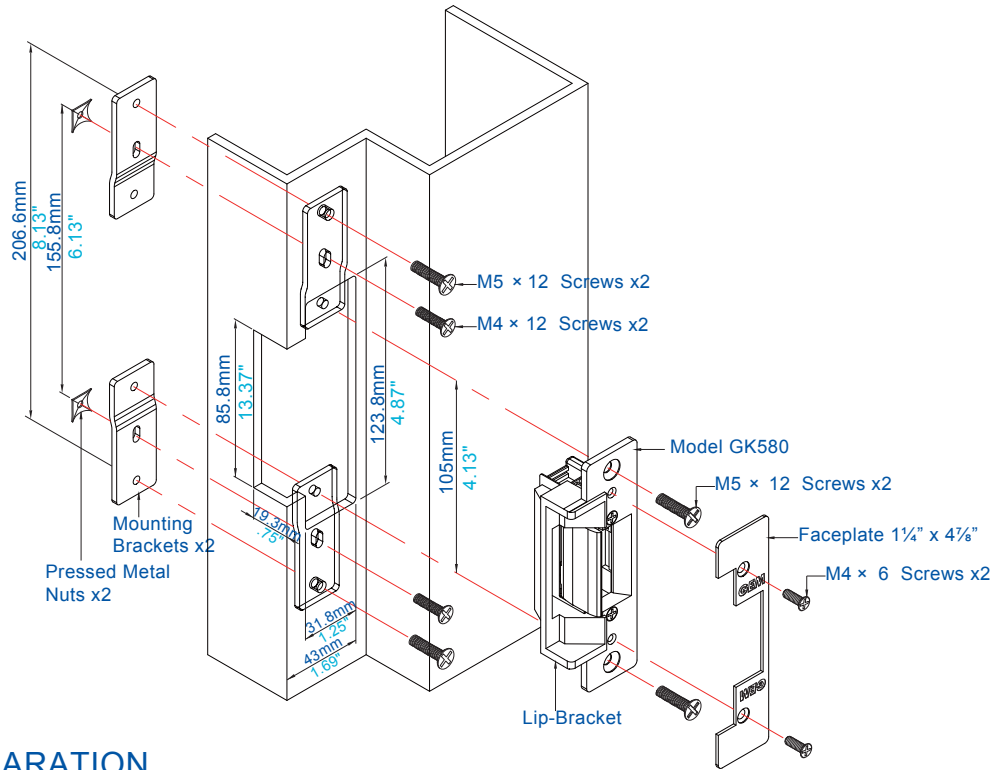
GK580-152=24VDC (Intermittent Duty)

ALUMINUM JAMB PREPARATION INSTALLATION

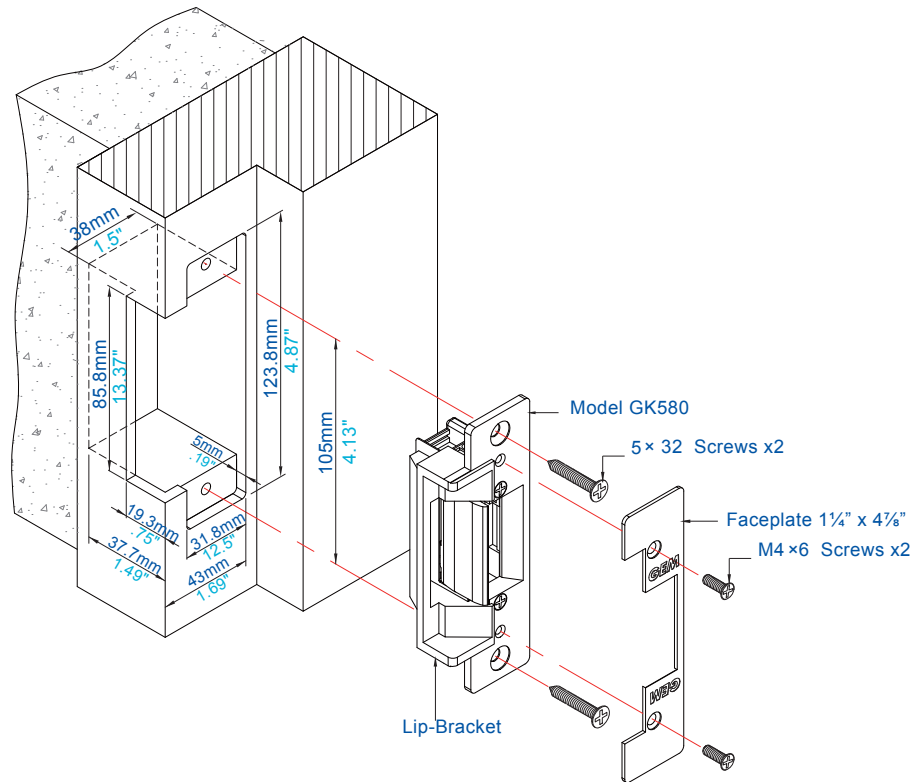


GIANNI INDUSTRIES, INC.

HOLLOW METAL JAMB PREPARATION INSTALLATION



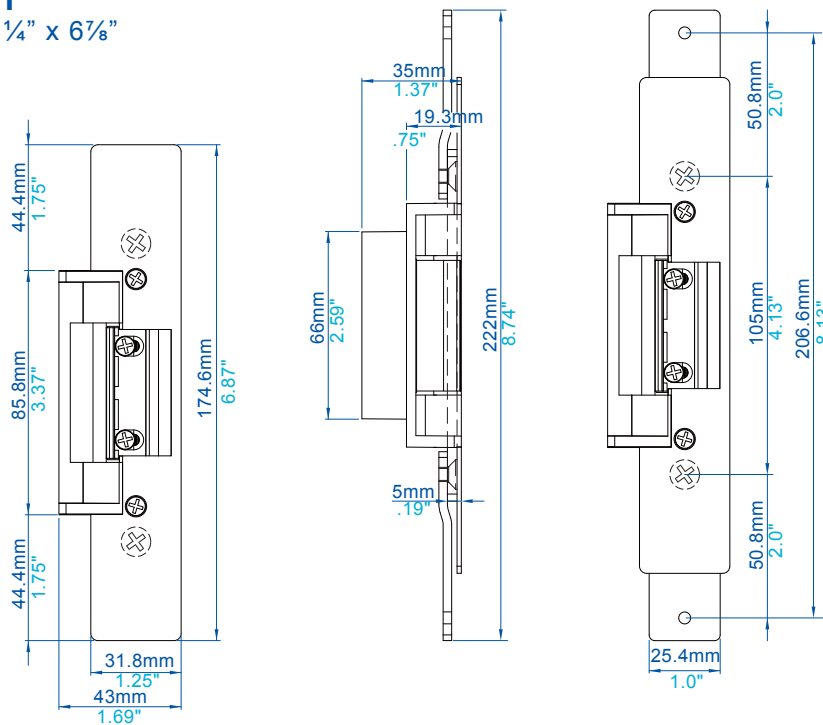
WOOD JAMB PREPARATION INSTALLATION



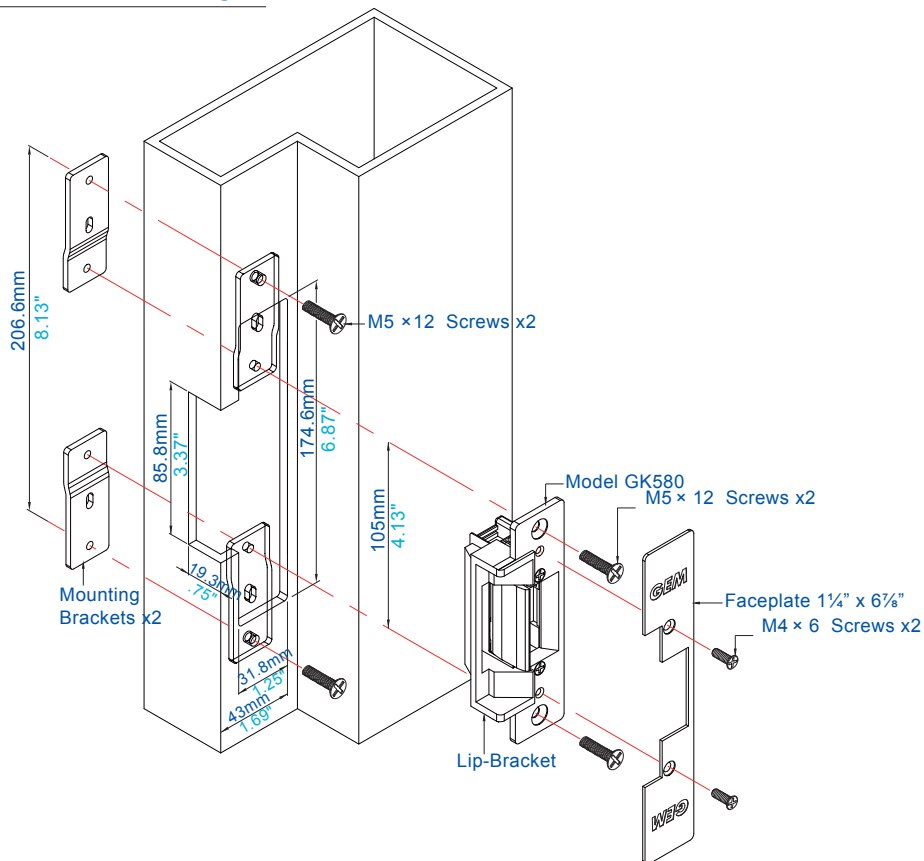
STAINLESS STEEL FACEPLATE

P-FP-M-GK580-ST

ANSI FACEPLATE 1 1/4" x 6 7/8"



ALUMINUM JAMB PREPARATION INSTALLATION

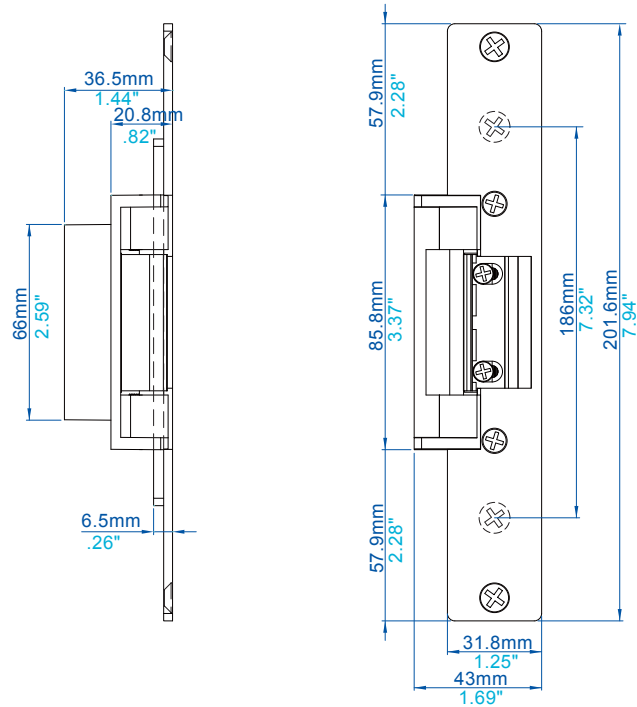


GIANNI INDUSTRIES, INC.

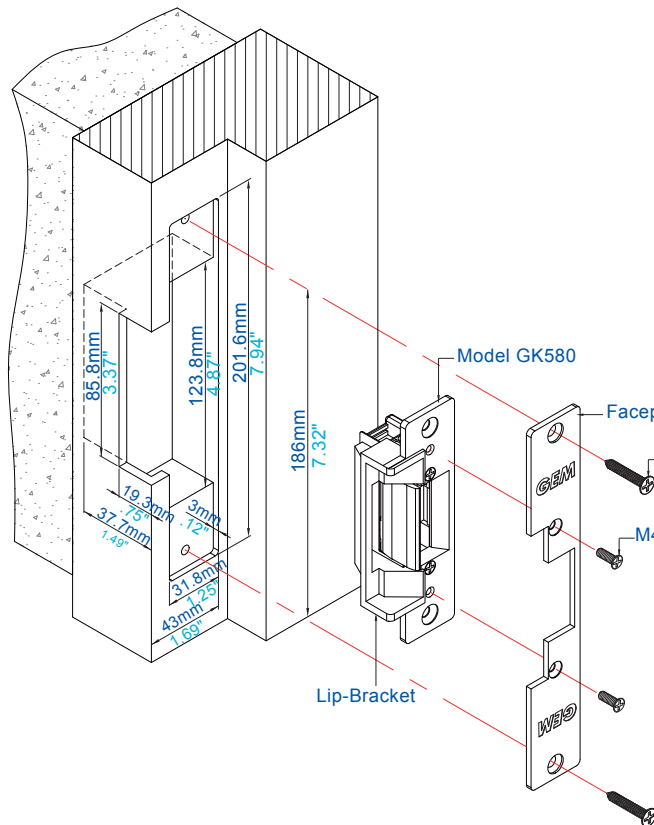
STAINLESS STEEL FACEPLATE

P-FP-L-GK580-ST

ANSI FACEPLATE 1¼" x 7⅞"

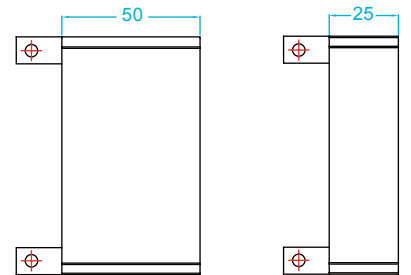


WOOD JAMB PREPARATION INSTALLATION



OPTIONAL ACCESSORY

Lip extension brackets for the wide jamb.



LP-GK580-050

LP-GK580-025

GIANNI INDUSTRIES, INC.