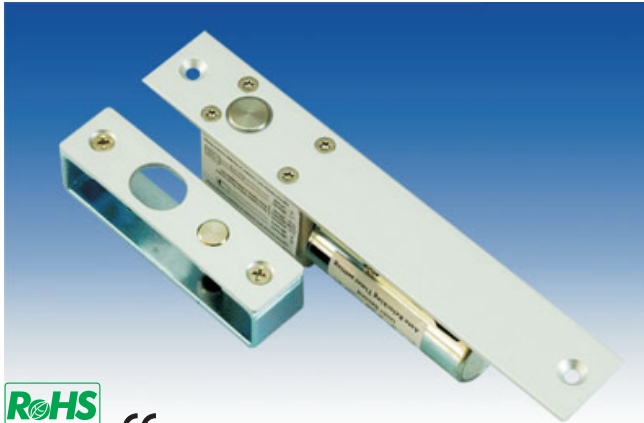


New Improvement with Door Status Monitoring.



Statement

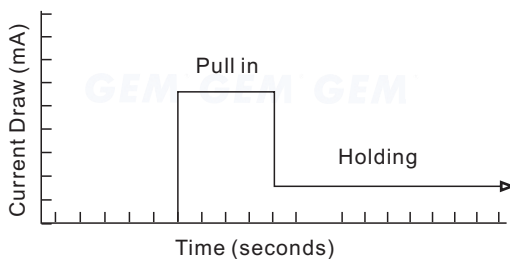
The EB200NLW electric dropbolt is one of the most economical choices and has optional accessories. The faceplates of EB200NLW are either 32 mm or 38 mm wide. For the surface mount application, the dropbolt can be used with SMB-200N housing. Also, after the door is installed with the UBK-200N-38 glass clip, the lock can be applied on frameless glass doors and glass walls.

Specification

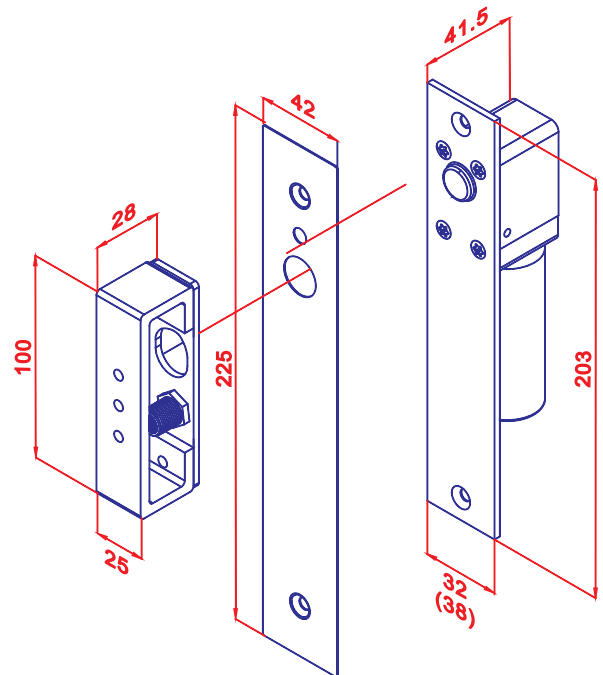
- Fail-Safe Version (Power to Lock)
- Operating Voltage: 12 VDC
- Current Draw: pull in: 0.9A, holding: 0.3A/12VDC (at 20°C)
- Operating Temperature: -10~+45°C
- Door position status output: Reed rated 0.25A/30VDC
- Relock Time Delay: 0,3,6,9 seconds
- Solenoid Test: over 500,000 times
- Faceplate Material: aluminum alloy
- Net Weight: 800g

Energy Saving Design

After the dropbolt is completely locked, the current draw changes from 0.9A to 0.3A to prolong its life.



Dimensions

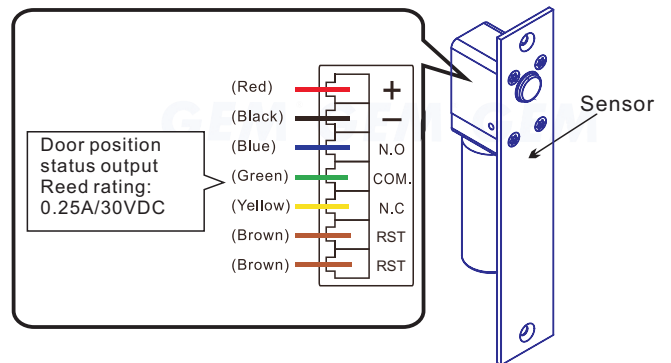
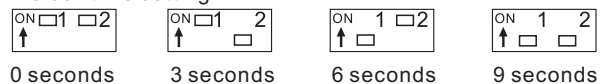


Unit: mm

Relock Time Delay

Adjustable Time Delay of 0,3,6,9 seconds with 2 way DIP switch. (Default Value: 0 sec.)

Relock time setting

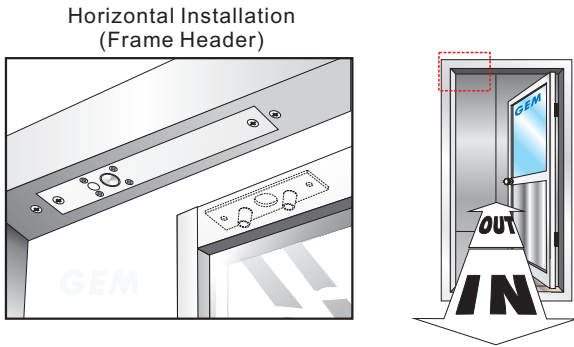


GIANNI INDUSTRIES, INC.

No. 13, Zhongxing Rd., Tucheng Dist., New Taipei City 236, Taiwan (R.O.C.)
 Tel: 886-2 2267 7986 / Fax: 886-2 2267 9876
 E-Mail: inquiry@gianni.com.tw
 Website: gianni.tw

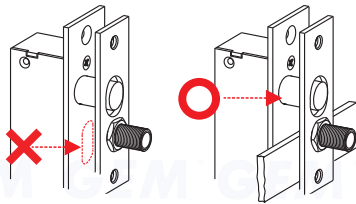
Horizontal or vertical installation

GEM's electric dropbolts can be installed either horizontally at the top or bottom of the door frame or vertically on the side of the door frame.



Vandal Resistant Circuitry

The vandal resistant circuitry means the door position sensor can't be fooled into projecting the electric dropbolt unless the door is actually closed. The reed sensor automatically disconnects after the bolt is projected to enhance security of the lock.

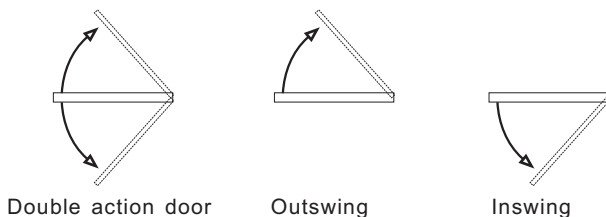


Long life solenoids

The specially designed solenoid aims for strength and long life. The solenoid is guaranteed 500,000 times of operations.

Double Action Doors

EB200NLW electric dropbolt is especially designed for double swinging doors. It can also be installed on both outswing and inswing doors.

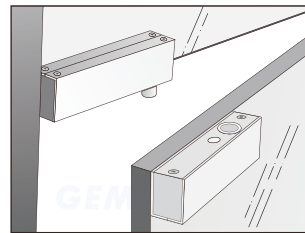


Optional Brackets

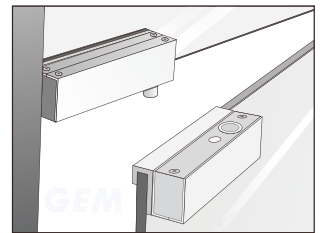


The unit may also be fitted semi-flush with the use of the SMB-200N completed housing. Or the EB200NLW may also be fitted to a full glass door and glass frame, using 2pcs of the SMB-200N housing and 2pcs of the UBK-200N-38 mounting brackets (EB200NVGL). The thickness of glass is 10~12 mm.

Surface Installation

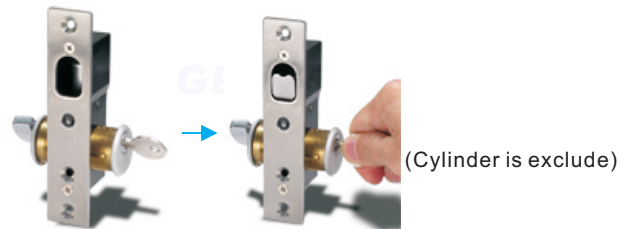


Installation on Full Frameless Glass Door



Optional Accessory

The KR-140 Key switch is also available to be installed together with fail-safe Electric Dropbolt Locks, which provides manual release of the door in case of emergency that may disable the Electric Dropbolt Locks.



Warranty

The product is warranted against defects in material and workmanship while used in normal service for a period of 1 year from the date of sale to the original customer. The GEM policy is one of continual development and improvement; therefore GEM reserves the right to change specifications without notice.

GIANNI INDUSTRIES, INC.

No. 13, Zhongxing Rd., Tucheng Dist., New Taipei City 236, Taiwan (R.O.C.)
Tel: 886-2 2267 7986 / Fax: 886-2 2267 9876
E-Mail: inquiry@gianni.com.tw
Website: gianni.tw