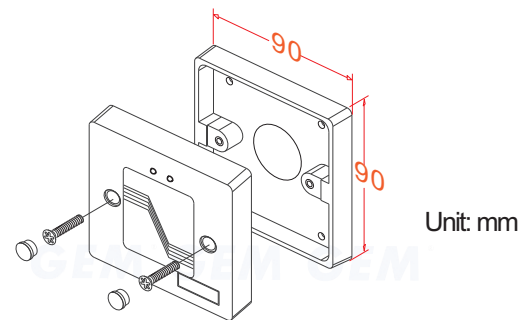


● Dimensions



● Statement

The Easiprox stand-alone proximity reader is low cost programmable access control system which reads EM400x proximity tags and cards. The system can store 2000 codes. Adding and deleting tags is done by a Master Tag. The optional Tag Simulator / Programming Unit allows the programming to add and delete tags. The relay can operate in Pulse or Toggle mode.

● System Features



A capacity of 2,000-card memory meets common community or company needs.

● Specification

- Operating Voltage: 12 VAC/DC
- Current Draw: Pull in: 70mA/12VDC ; Holding :45mA/12VDC
- RF Frequency: EM 125KHz
- Input: 1 contact for request-to-exit button
- Relay rating: MAX . 3A/24VDC
- Memory Volume: 2000 Proximity cards or tokens
- Read Range: 10~15 cm (Depending on local installation Conditions)
- Relay Strike Time: 0.7~42 seconds
- Visual Signals:
 - Yellow: Power on
 - Green: Add Tags
 - Red: Delete Tags
 - Yellow/Red: Clear Memory
 - Yellow (flash): strike mode and timer adjustment
- Operating Temperature: -20°C~70°C
- Ambient Humidity: 5~95% relative humidity (non-ondensing)
- Case Material: ABS (UL94V0)
- Color: Black
- Dimension: (L)86*(W)86*(D)21 mm

Master Card

Field proven unique Master card adds or deletes cards or tags. Easy to operate for everyone.

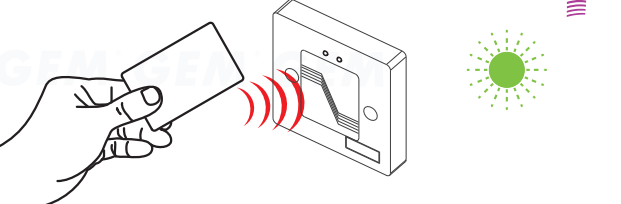


Optional, **TS-980** tag simulator allows adding and deleting cards from the reader memory.

GIANNI INDUSTRIES, INC.

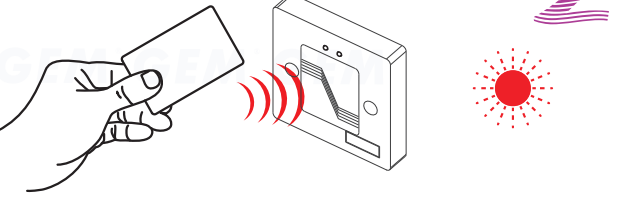
● Easy Programming

ADD mode
Read the Master Card once



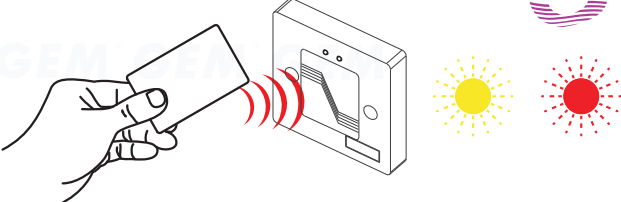
- 1.Green LED flash
- 2.Read new cards
- 3.Read master card again , back to standby mode.

Delete mode
Read the Master Card twice



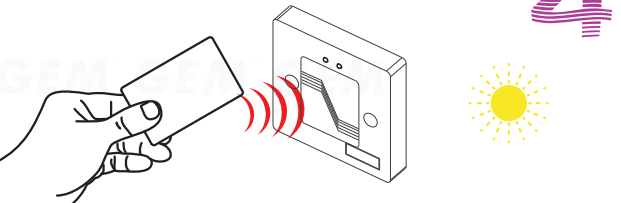
- 1.Red LED flash
- 2.Read the cards you want to delete
- 3.Read master card again ,back to standby mode.

Clear mode
Read the Master Card three times



- 1.Yellow and Red LEDs flash
- 2.Read any card (Except master card)
- 3.Memory of all cards + Master card is cleared. (included master card are clear)

Relay Strike Time
Read the Master Card four times



- 1.Each LED flash indicates the opening time is 0.7 seconds.
- 2.The longest opening time is 42 seconds.

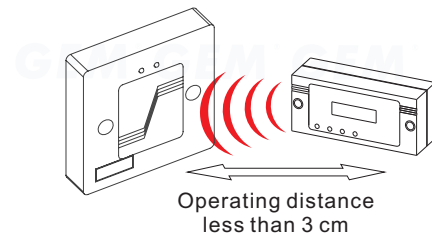
● Optional Accessory

The TS-980 Tag Simulator allows and removing any card/tag information from the reader memory when the tag is lost or not available. The unit can be utilized at different sites but for security reasons it will operate only in conjunction with the Master Card.



TS-980 simulator

- Dimension : 120 L x 54 W x 38 H mm
- Weight : 180 g
- Operating distance : less than 3 cm
- Battery : PP3 - 9V



● Warranty

The product is warranted against defects in material and workmanship while used in normal service for a period of 1 year from the date of sale to the original customer. The GEM policy is one of continual development and improvement; therefore GEM reserves the right to change specifications without notice.

GIANNI INDUSTRIES, INC.