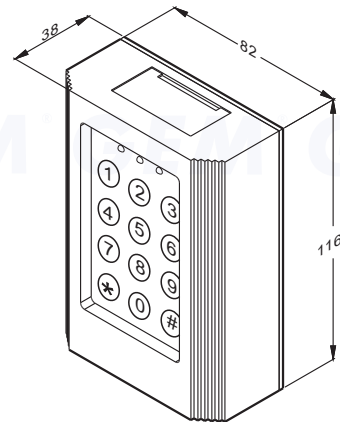




Dimension



Unit: mm

Features

- ✓ Touch Panel Keypad
- ✓ Allows up to 49+50 PIN codes
- ✓ Dual relays output for multi-control
- ✓ Additional Input for Anti-Tailgating
- ✓ 3 LED display with audible indication
- ✓ Non-Volatile Memory & Invalid PIN Lock-out
- ✓ Metal casing with vandal resistant screws
- ✓ Fully Programmable via keypad

Statement

The DK-502 is a dual relay digital code-operated for access control keypad with up to 49+50 individual user PINs, to ensure that all functions controlled to authorized persons only. The door reed switch Input is used to time out the timer when door is moved for Anti-Tailgating. The touch panel keypad is a new generation version of keypad with twelve sense buttons. It offers a key beep function with back light in order to provide its users with ease of use in the dark.

Logical memory can prevent unauthorized persons from gaining PIN code entry by trial and error. The system will shut down for 60 seconds while 32 codes of incorrectly Master Codes enrolled or PIN codes attempted (None beeper signal of keypad activations). Metal die casting housing with vandal resistant screws to seize every security measure of the unit; an elegant contour dedicated with fashion coating which leads DK-502 for matching up-to-dated door stile for compensable application to the worldwide trend. The DK-502 is highly reliable, warranted for life and capable of providing the best read range in its class.

Specifications

- Operating Voltage: 9~12 VAC / DC
- Current Draw: 15~60mA/12VDC
- Input: request-to-exit, time out reed switch contact
- Output: Dual relays, N.O./N.C./Com. Output (free voltage contact)
- Relays Electric Current: 2A/30VDC, 0.4A/120VAC
- Relay Activation Time: (* 100 、 * 200)
Strike Time: 1~99 seconds
Strike mode: Access Timer or Latch
- Memory Volume: 49+50 PIN codes
Relay 1 is controlled by user 001~049
Relay 2 is controlled by user 050~099
- PIN codes: 5 digit codes only
- Operating Temperature: -20~+70°C
- Ambient Humidity: 5~95% relative humidity non-condensing
- Factory Master Code: 12345
- Invalid PIN Lock-out: The system will shut down for 60 seconds while 32 codes of incorrectly Master Codes enrolled or PIN codes attempted (None beeper signal of keypad activations)
- Weight (Approx): 240g
- Color: Beige White

Warranty

The product is warranted against defects in material and workmanship while used in normal service for a period of 1 year from the date of sale to the original customer. The GEM policy is one of continual development and improvement; therefore GEM reserves the right to change specifications without notice.

GIANNI INDUSTRIES, INC.