

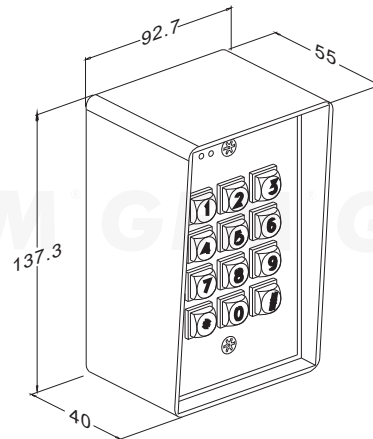


DG-27WP
(Waterproof Keypad)

DG-27



GEM GEM



Unit: mm

● Features

- Allows up to 49+50 PIN codes
- Dual relays output for multi-control
- Door Reed Switch Input for Anti-Trailing
- Fully Programmable via keypad and master code
- 3 LED display with audible indication
- Non-Volatile Memory
- Invalid PIN Lock-out
- Durable Stainless Steel Faceplate
- With vandal resistant screws
- Optional with Water-proof Keypad

● Statement

The **DG-27** is a dual relay digital code-operated for access control keypad with up to 49+50 individual user PINs, user access PINs ensure that all functions controlled to authorized persons only. The door reed switch Input is used to time out the timer when door is moved for Anti-Trailing.

Logical memory can prevents unauthorized persons from gaining PIN code entry by trial and error, The system will shut down for 60 seconds while 32 codes of incorrectly Master Codes enrolled or PIN codes attempted (None beeper signal of keypad activations) .Stainless steel die casting housing with vandal resistant screws to seize every security measures of the unit; an elegant contour dedicated with fashion coating which leads **DG-27** for matching up-to-dated door stile for compensable application to the worldwide trend. The **DG-27** is highly reliable, warranted for life and capable of providing the best read range in its class.

● Specifications

- Operating Voltage: 12~24 Vdc
- Current Draw: Average 15mA, Peak 60mA @ 12Vdc
- Input: request-to-exit, time out reed switch contact
- Output: Dual relays, N.O./N.C./Com. Output (free voltage contact)
- Relays Rating: 2A MAX @30Vdc , 0.4A @ 120Vac
- Relay Activation Time:(*100,*200)
Strike Time: 1~99 seconds
Strike mode: Access Timer or Latch
- Memory Volume: 49+50 PIN codes
Relay 1 is controlled by 001~049 user slots
Relay 2 is controlled by 050~099 user slots
- PIN codes: 5 digit codes only
- Operating Temperature: -20~+70°C
- Ambient Humidity: 5~95% relative humidity non-condensing
- Factory Master Code: 12345
- Invalid PIN Lock-out: The system will shut down for 60 seconds while 32 codes of incorrectly Master Codes enrolled or PIN codes attempted(None beeper signal of keypad activations)
- EPROM:Non-volatile memory, System will retain all programs and codes after a total loss of power.
- Color: Beige White

● Warranty

The product is warranted against defects in material and workmanship while used in normal service for a period of 1 year from the date of sale to the original customer. The GEM policy is one of continual development and improvement; therefore GEM reserves the right to change specifications without notice.

GIANNI INDUSTRIES, INC.

No.306-1, Hsin Shu Road, Hsin Chuang, Taipei,Taiwan 242
TEL: 886-2-2206 9929 FAX: 886-2-2204 6632
E-Mail: info@gianni.com.tw
Website: gianni.tw