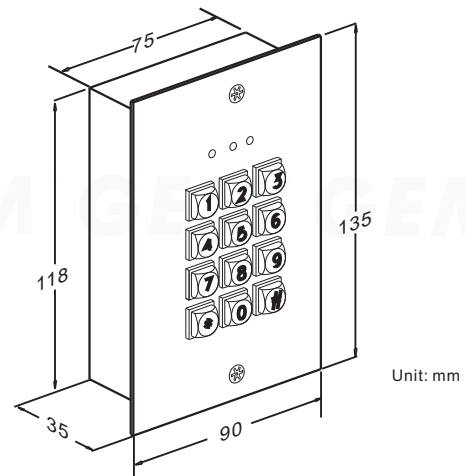




GEM



● Features

- **Allows up to 49+50 PIN**
- **Dual relays output for multi-control**
- **Door Reed Switch Input for Anti-Tailgating**
- **Fully Programmable via keypad and master code**
- **3 LED display indication**
- **Non-Volatile Memory & Invalid PIN Lock-out**
- **Durable Stainless Steel housing With vandal resistant screws**
- **Optional Waterproof Keypad**

● Statement

The **DG-26** is a dual relay digital code-operated for access control keypad with up to 49+50 individual user PINs, user access PINs ensure that all functions controlled to authorized persons only. The door reed switch Input is used to time out the timer when door is moved for Anti-Trailing.

Logical memory can prevents unauthorized persons from gaining PIN code entry by trial and error, The system will shut down for 60 seconds while 32 codes of incorrectly Master Codes enrolled or PIN codes attempted (None beeper signal of keypad activations).

● Specifications

- Operating voltage: 12~24 VDC
- Current draw: Holding:40mA/12VDC ; 60mA/24VDC
Pull in: 70mA/12VDC ; 90mA/24VDC
- Input: request-to-exit, door out reed switch contact
- Output: Dual relays, N.O./N.C./Com. Output (dry contact)
- Relay rating: 3A /120VAC , 3A /24VDC
- Relay strike time:(*100,*200)
Strike time: 1~99 seconds
Strike mode: Access timer or latch
- Memory volume: 49+50 PIN codes
Relay 1 is controlled by user 001~049
Relay 2 is controlled by user 050~099
- PIN codes: 5 digit codes only
- Operating temperature: -20~+70°C
- Ambient humidity: 5~95% relative humidity non-condensing
- Master code:Default value: 12345
- In toggle mode , the relay will switch between N.C. contact and N.O. contact upon enter PIN once.
- Net Weight: 430g

● Warranty

The product is warranted against defects in material and workmanship while used in normal service for a period of 1 year from the date of sale to the original client. The GEM policy is one of continual development and improvement; therefore GEM reserves the right to change specifications without notice.

GIANNI INDUSTRIES, INC.