

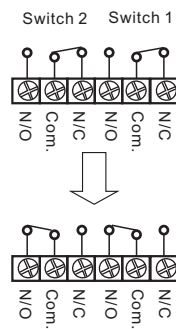


### Statement

The CP-21 series call point, with double pole change over contacts from N/C to N/O. The main function is to override the electrical locking/release devices in case of emergency. With Key to replace glass or reset unit.

### Specifications

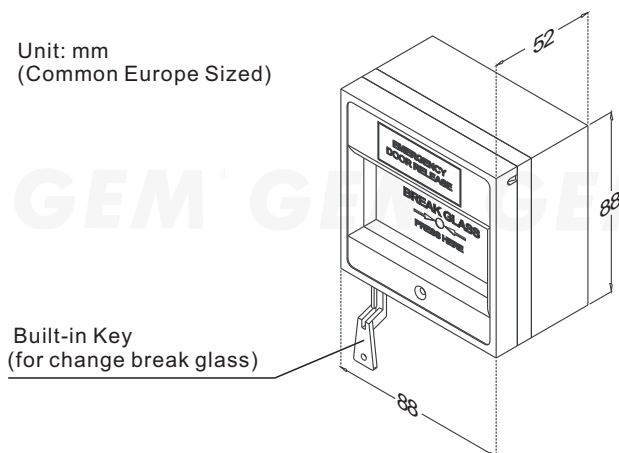
Dimensions: 88x88x52 mm  
Contact Resistance: 150m  
Switch rated: 3A@125V~



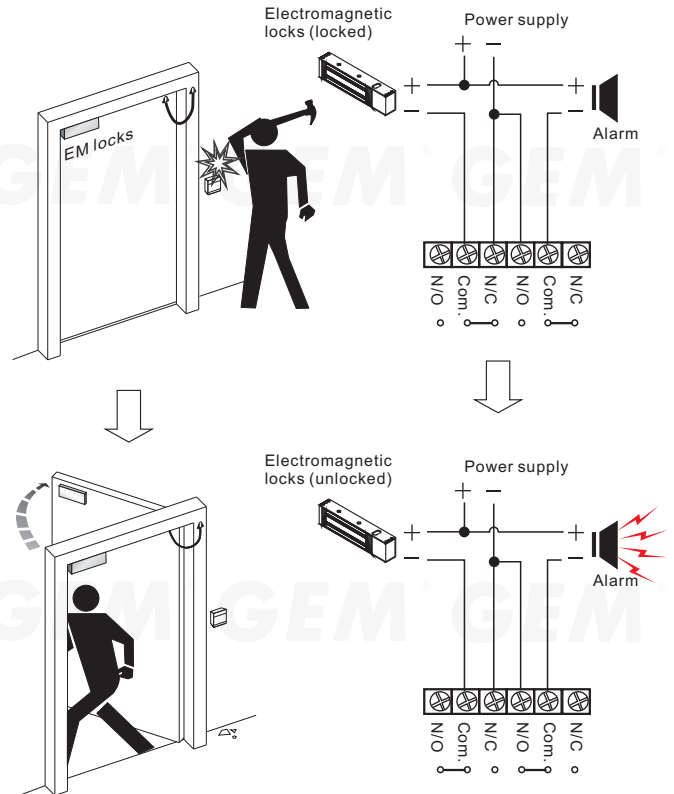
No need to power in. It has a double pole switch for monitoring in case of emergency when glass is broken; the contacts change from N/C to

### Dimension

Unit: mm  
(Common Europe Sized)



### Application



### Warranty

The product is warranted against defects in material and workmanship while used in normal service for a period of 1 year from the date of sale to the original customer. The GEM policy is one of continual development and improvement; therefore GEM reserves the right to change specifications without notice.

### GIANNI INDUSTRIES, INC.

No.306-1, Hsin Shu Road, Hsin Chuang, Taipei, Taiwan 242  
TEL: 886-2-2206 9929 FAX: 886-2-2204 6632  
E-Mail: info@gianni.com.tw  
Website: gianni.tw