



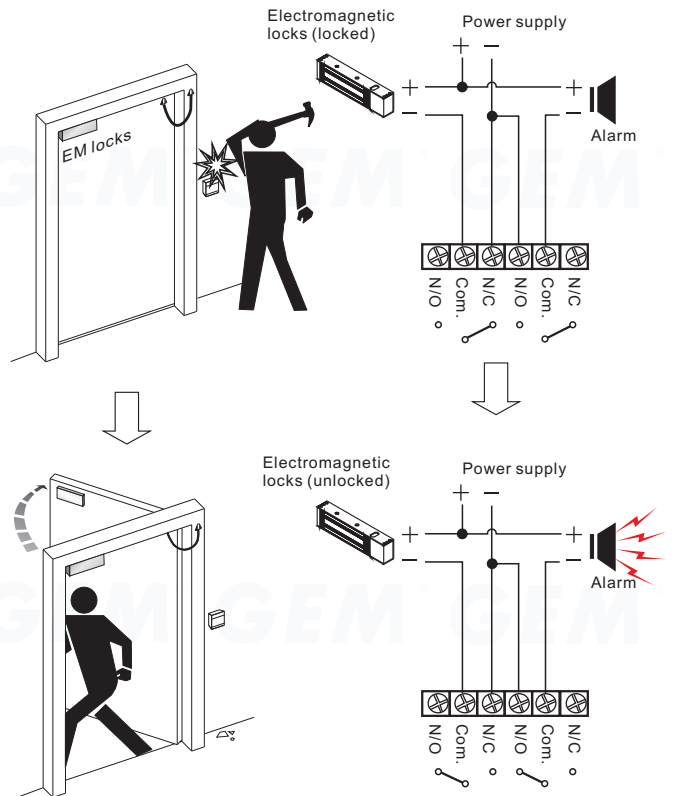
### ● Statement

The CP-21 series call points, with double pole, change contacts from N/C to N/O. The main function is to override the electrical locking/release devices in case of emergency. A key is used to replace glass.

### ● Specification

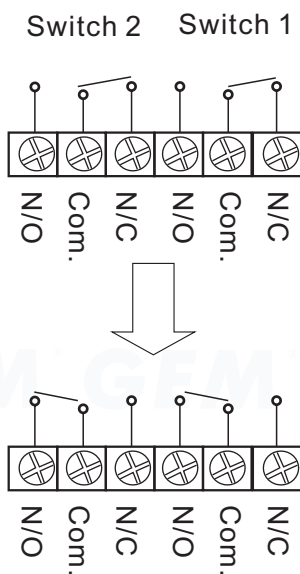
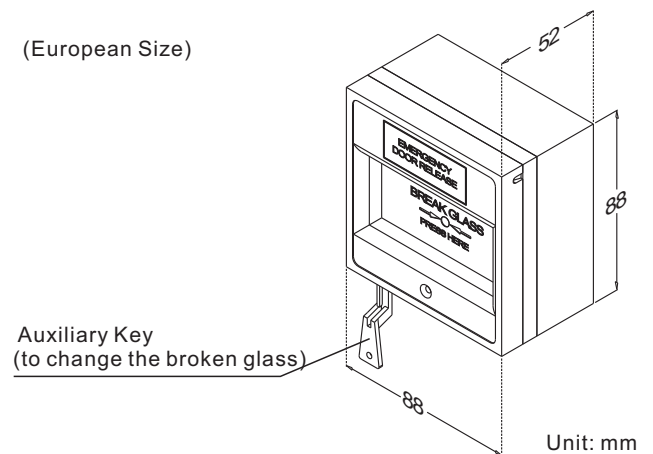
Dimensions: 88x88x52 mm  
Contact resistance: 150mΩ  
Switch rating: 3A/ 125VAC

### ● Application



### ● Dimensions

(European Size)



### ● Warranty

The product is warranted against defects in material and workmanship while used in normal service for a period of 1 year from the date of sale to the original client. The GEM policy is one of continual development and improvement; therefore GEM reserves the right to change specifications without notice.

### GIANNI INDUSTRIES, INC.

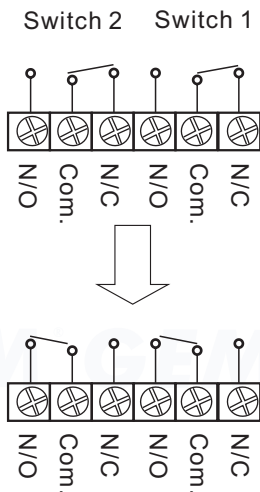


### Statement

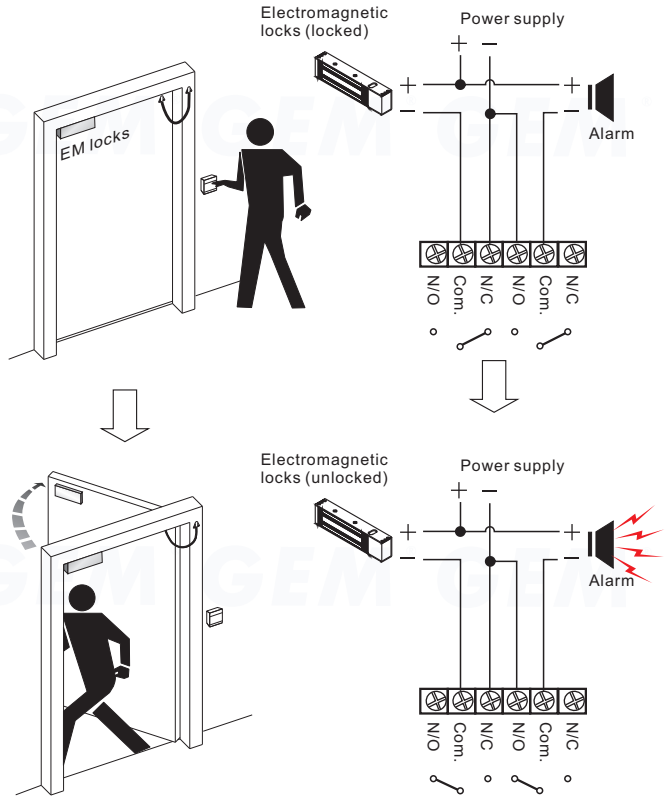
The CP-22 series call points, with double pole, change contacts from N/C to N/O. The main function is to override the electrical locking/release devices in case of emergency. A key is used to reset unit.

### Specification

Dimensions: 88x88x60 mm  
 Contact resistance: 150mΩ  
 Switch rating: 3A/125VAC

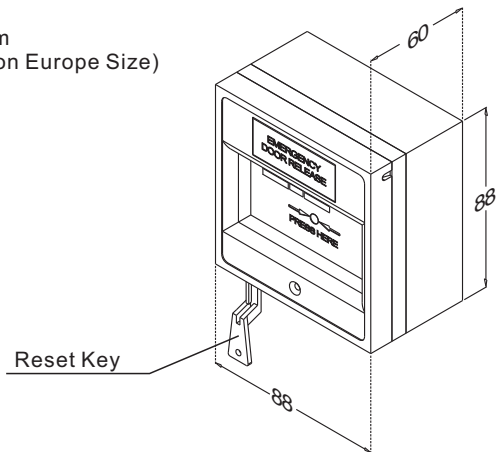


### Application



### Dimensions

Unit: mm  
(Common Europe Size)



### Warranty

The product is warranted against defects in material and workmanship while used in normal service for a period of 1 year from the date of sale to the original client. The GEM policy is one of continual development and improvement; therefore GEM reserves the right to change specifications without notice.

### GIANNI INDUSTRIES, INC.

No. 13, Zhongxing Rd., Tucheng Dist., New Taipei City 236, Taiwan (R.O.C.)  
 Tel: 886-2 2267 7986 / Fax: 886-2 2267 9876  
 E-Mail: inquiry@gianni.com.tw  
 Website: gianni.tw