



### Features

- Dual voltage 12 or 24 VDC (selectable)
- Anti-residual magnetism designed
- Holding force up to 1200x2 lbs
- Fail-safe version (power to lock)
- For double leaf doors
- MOV provides spike and surge protection
- High reliability

### Statement

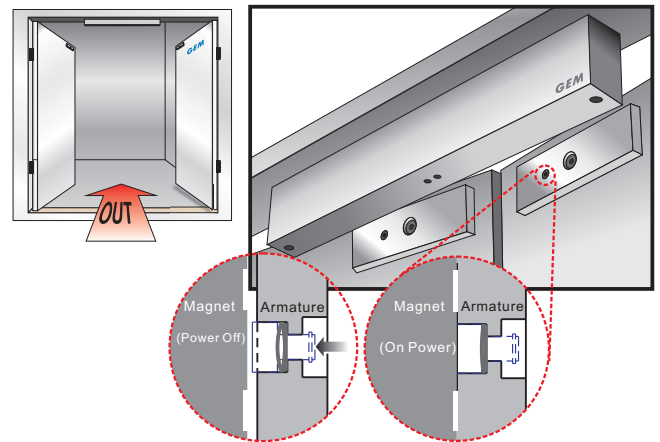
The 10060 Series is high quality and safety range of standard fail-safe electromagnetic locks that is simply, works well in order to effectively secure with doors.

The 10060 Series is designed for double doors and are suitable for out-swing applications. Installation of in-swing door, narrow-style frames and frameless glass door requires the used an additional bracket. With the accessories provided, the lock can be used on wooden, and even metal door. It has designed and offered the different optional functions into electromagnetic lock and accommodate the different needs of users and increase the lock's value and uniqueness.

### Specifications

- Voltage tolerance: ±15%
- Current draw: 500mA@12VDC, 250mA@24VDC (at temperature 20°C)
- Operating temperature: -10~55°C (14~131°F)
- Humidity: 0~95% non-condensing.
- Holding force: Up to 1200x2 lbs (545x2 Kg)
- Dimensions:
  - Magnet: (L) 532, (W) 68, (D) 40 mm
  - Armature plate: (L) 185, (W) 62, (D) 16 mm
  - Mounting plate: (L) 532, (W) 40, (D) 5 mm
- Special finishes for magnet and armature plate: Zinc plated
- Epoxy potting compound: E87252 (S), UL94V-0
- Weight (Approx.): 9.5 Kg

### Regular Installation



#### Anti-residual statement

Our electromagnet locks feature Anti-Residual Magnetism (ARM) which ensures the door can be opened without any resistance from left over magnetism imparted to the armature plate

### Operating Features



#### 10040: Bond sensor output

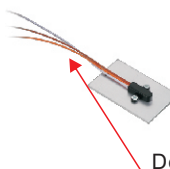
Indicates the locked & unlocked status with visible LED indicator.

Bond sensor output : SPDT rated: 0.5A@125VAC; 1A@24VDC



#### 10040BZ: Buzzer Alarm

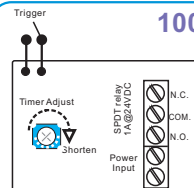
Door Held Open Alarm is an auditory feedback for user. Alarm sounds when the door is not closed and has exceeded a specified time limit. VR timer is adjustable from 1 to 20 seconds.



#### 10040DS: Door status

Door Status Sensor indicates the door is in an open or closed status.

Door status output : SPDT rated: 0.2A@12VDC



#### 10040TD: Relock time delay

Ensures the automatic lock mode after the door is closed properly and it can be adjusted from 1 to 80 seconds.

## GIANNI INDUSTRIES, INC.

No. 13, Zhong Sing Road, Tu-Cheng Industrial Zone,  
Tu-Cheng City, Taipei, Taiwan 23678  
Tel: 886-2 2267 7986 / Fax: 886-2 2267 9876  
E-Mail: info@gianni.com.tw  
Website: gianni.tw  
Copyright 2009 Gianni industries, inc. All rights reserved.  
DM-CA-10010ST Ver. D Published on 2009.11.16



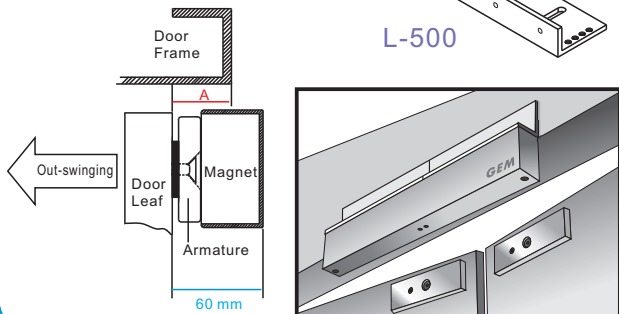
The products are manufactured under an ISO 9001 & QC 080000 Certified Quality Management Program environment back its product quality, performance and commitment to customer satisfaction.

### Optional Brackets

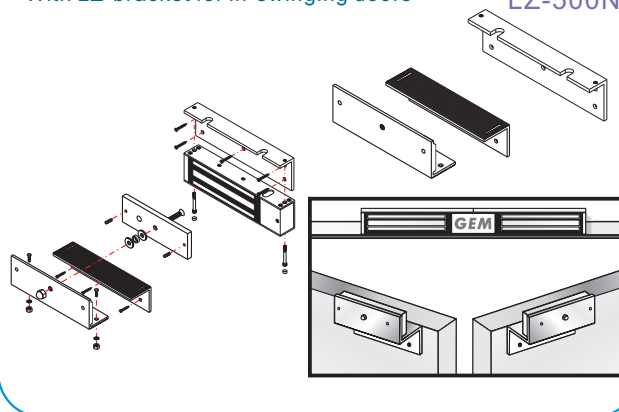
The door swinging direction and the door frame header are used to determine whether the bracket is required and this identify is a measure of which brackets is suitable. Our optional brackets include L-bracket, LZ-bracket and U-bracket.

#### With L-bracket for narrow door frames

When "A" < 60 mm ,must installed with "L" brackets.



#### With LZ-bracket for in-swinging doors



### Warranty

The product is warranted against defects in material and workmanship while used in normal service for a period of 5 years from the date of sale to the original client. The GEM policy is one of continual development and improvement; therefore GEM reserves the right to change specifications without notice.

### GIANNI INDUSTRIES, INC.

No. 13, Zhong Sing Road, Tu-Cheng Industrial Zone,  
Tu-Cheng City, Taipei, Taiwan 23678  
Tel: 886-2 2267 7986 / Fax: 886-2 2267 9876  
E-Mail: info@gianni.com.tw  
Website: gianni.tw  
Copyright 2009 Gianni industries, inc. All rights reserved.  
DM-CA-10010ST Ver. D Published on 2009.11.16



The products are manufactured under an ISO 9001 & QC 080000 Certified Quality Management Program environment back its product quality, performance and commitment to customer satisfaction.