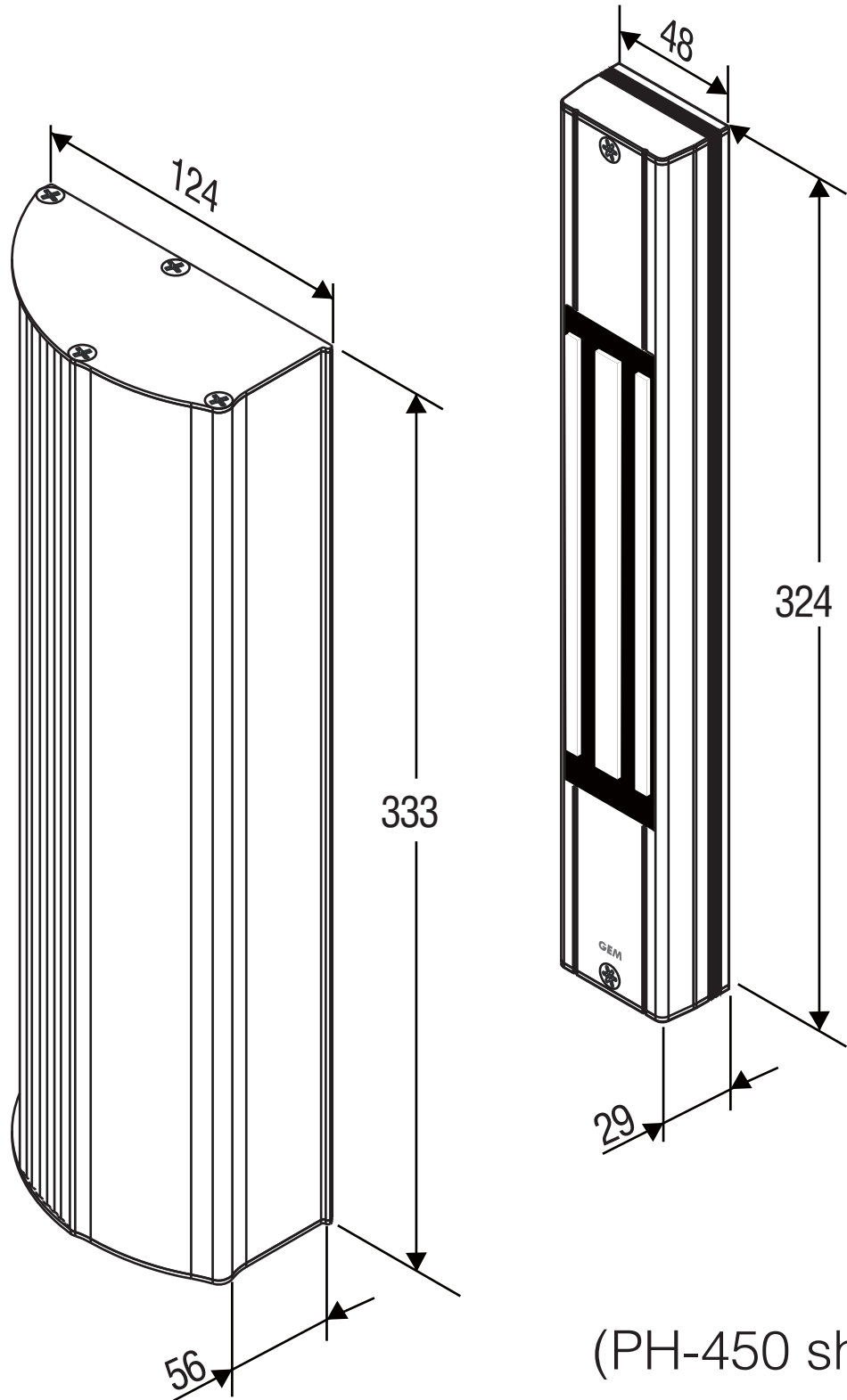


# Dimension

## PH-450/500



(PH-450 shown)

All dimensions in mm