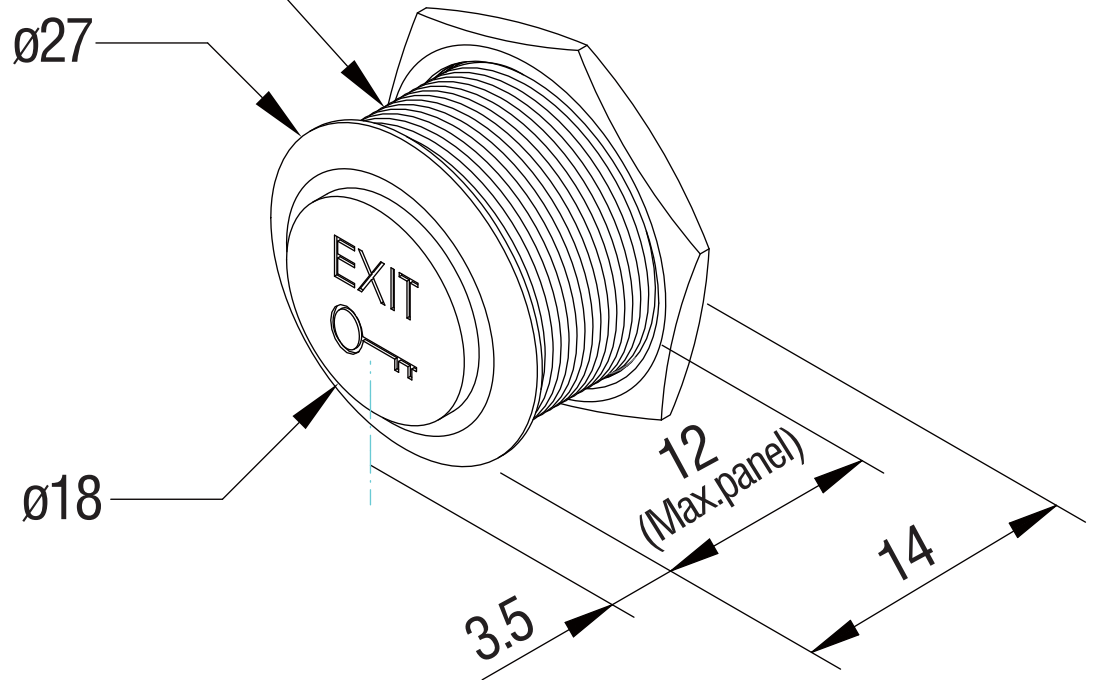


# Dimension

**SWH-25WF-02KE**

*Mounting diameter:25mm*



All dimensions in mm