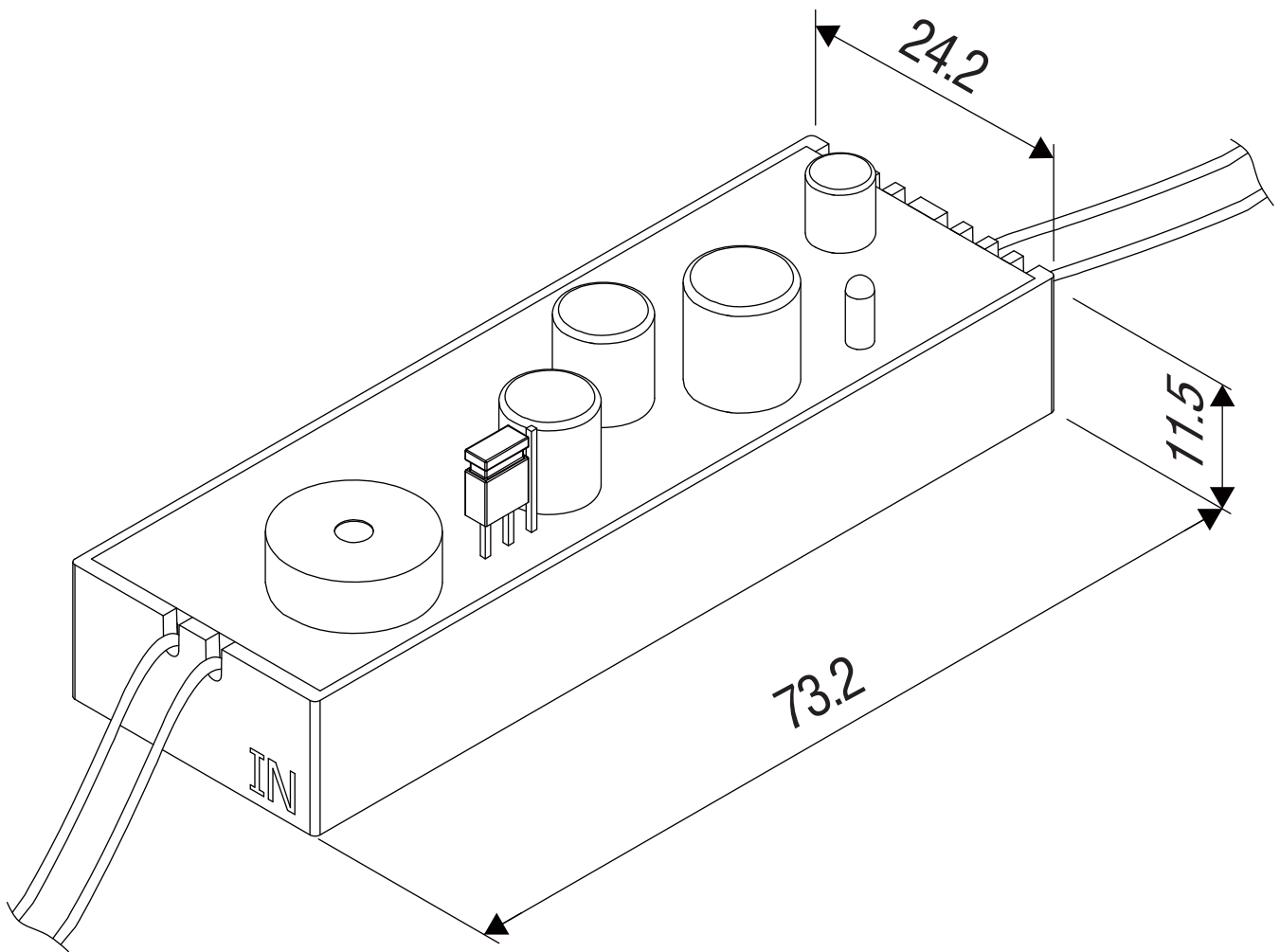


# Dimension

**SM1224-TBZ**



All dimensions in mm