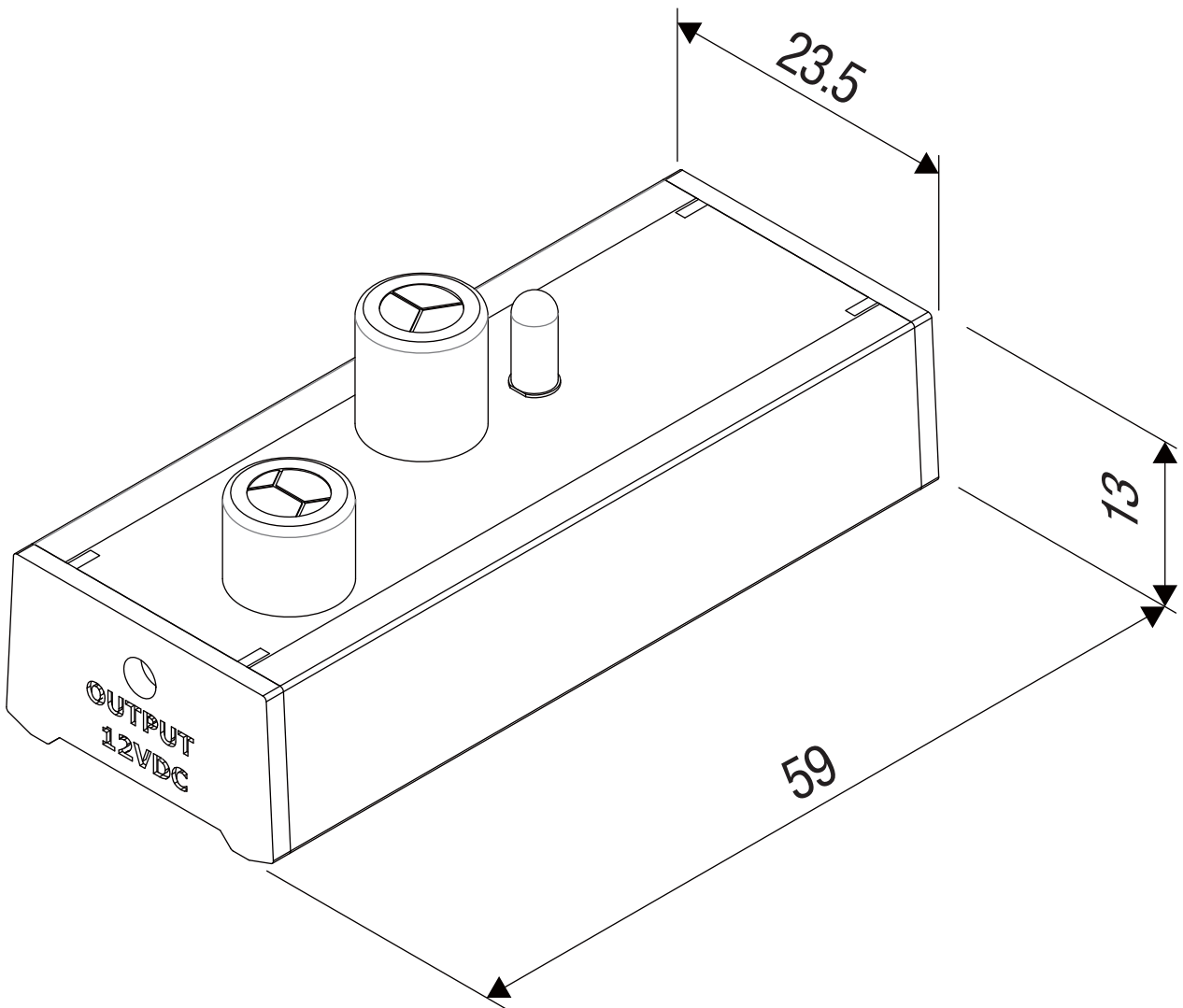


# Dimension

**SM1224-1A-N**



All dimensions in mm