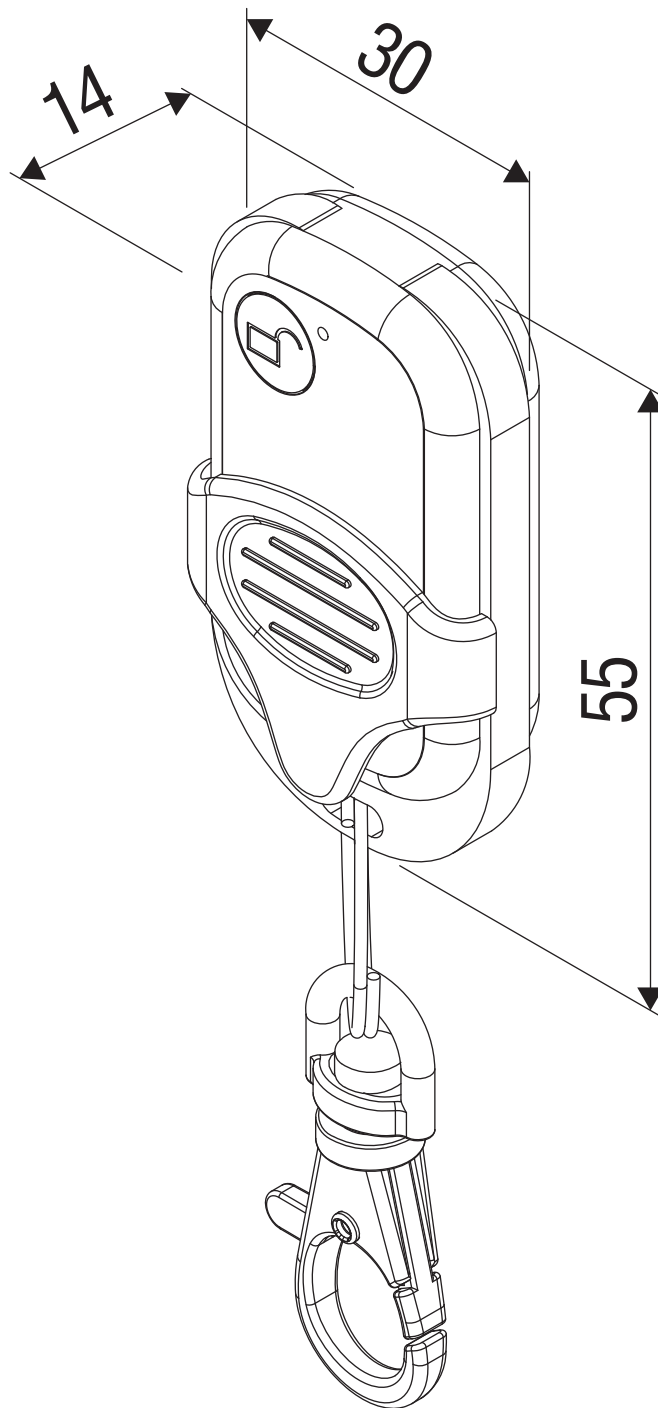


# Dimension

**S-TM-WPB-100**



All dimensions in mm