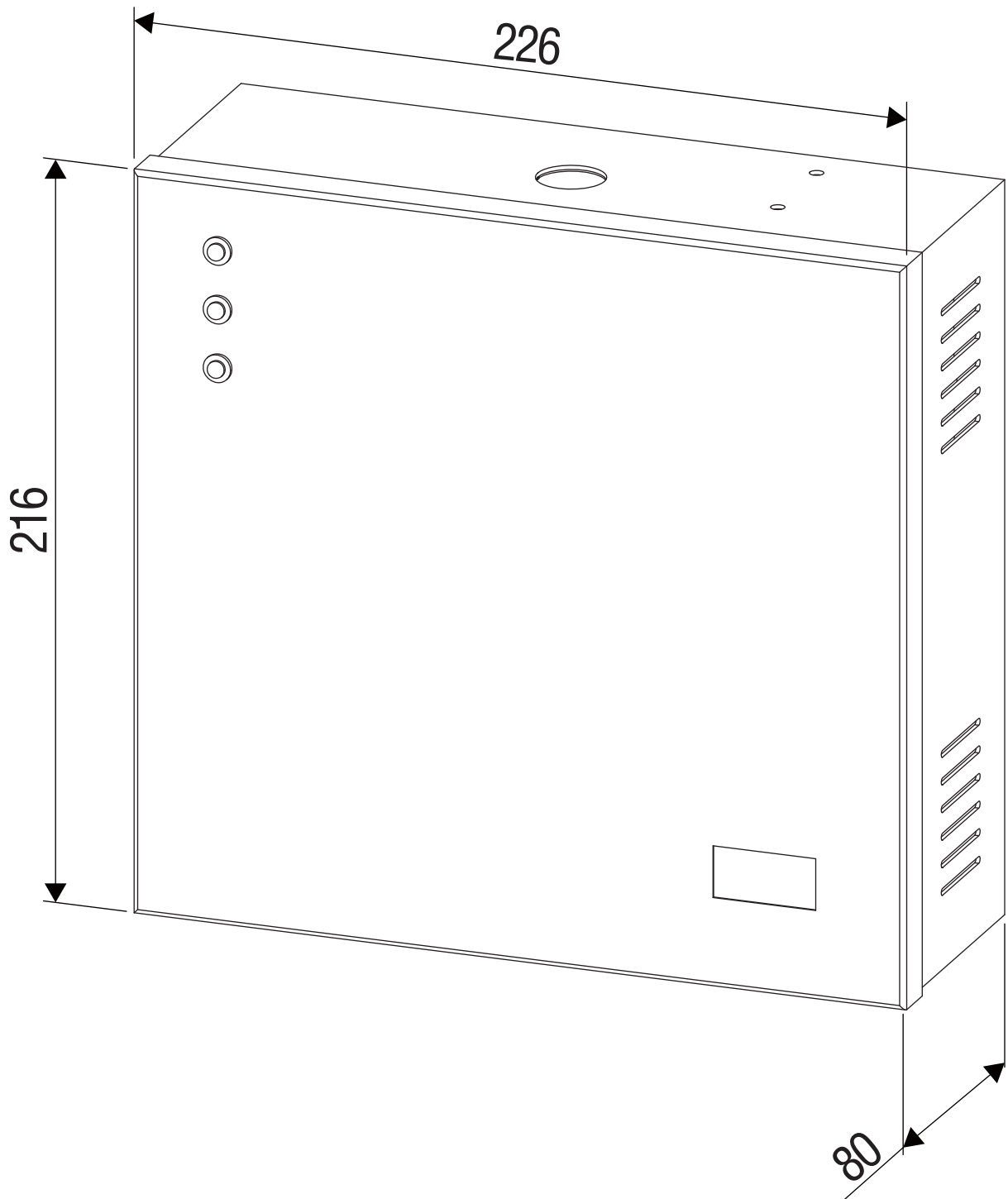


# Dimension

**PSM-29T**



All dimensions in mm