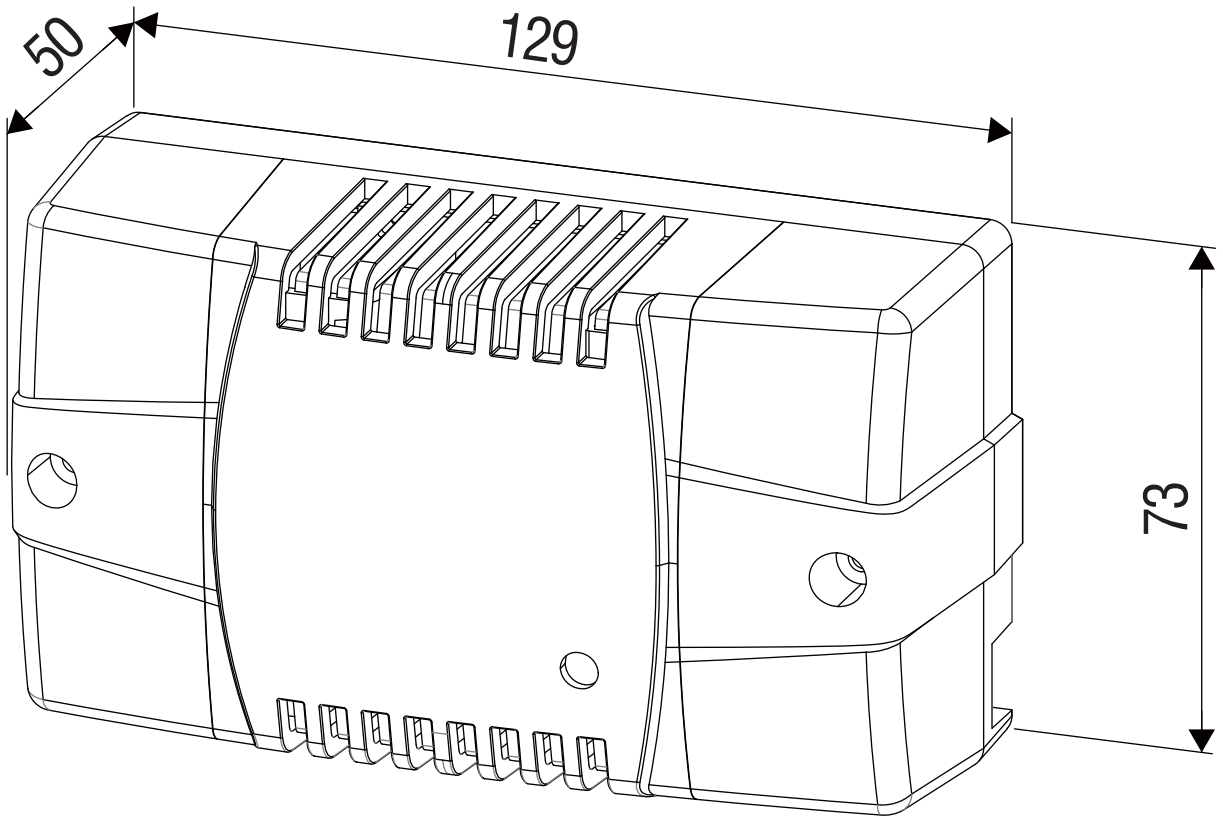


# Dimension

## PSM-28T



All dimensions in mm