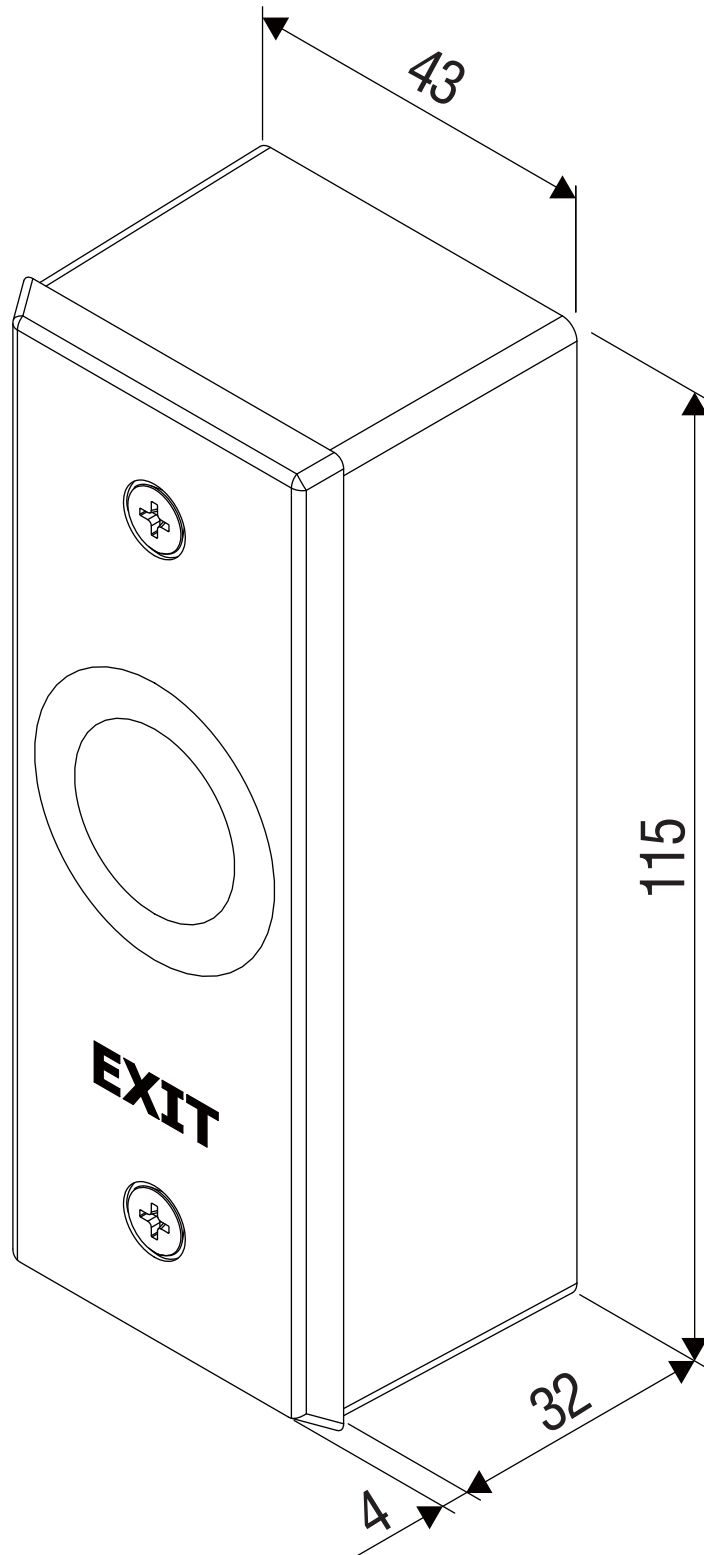


# Dimension

**PBT-120-E**



All dimensions in mm