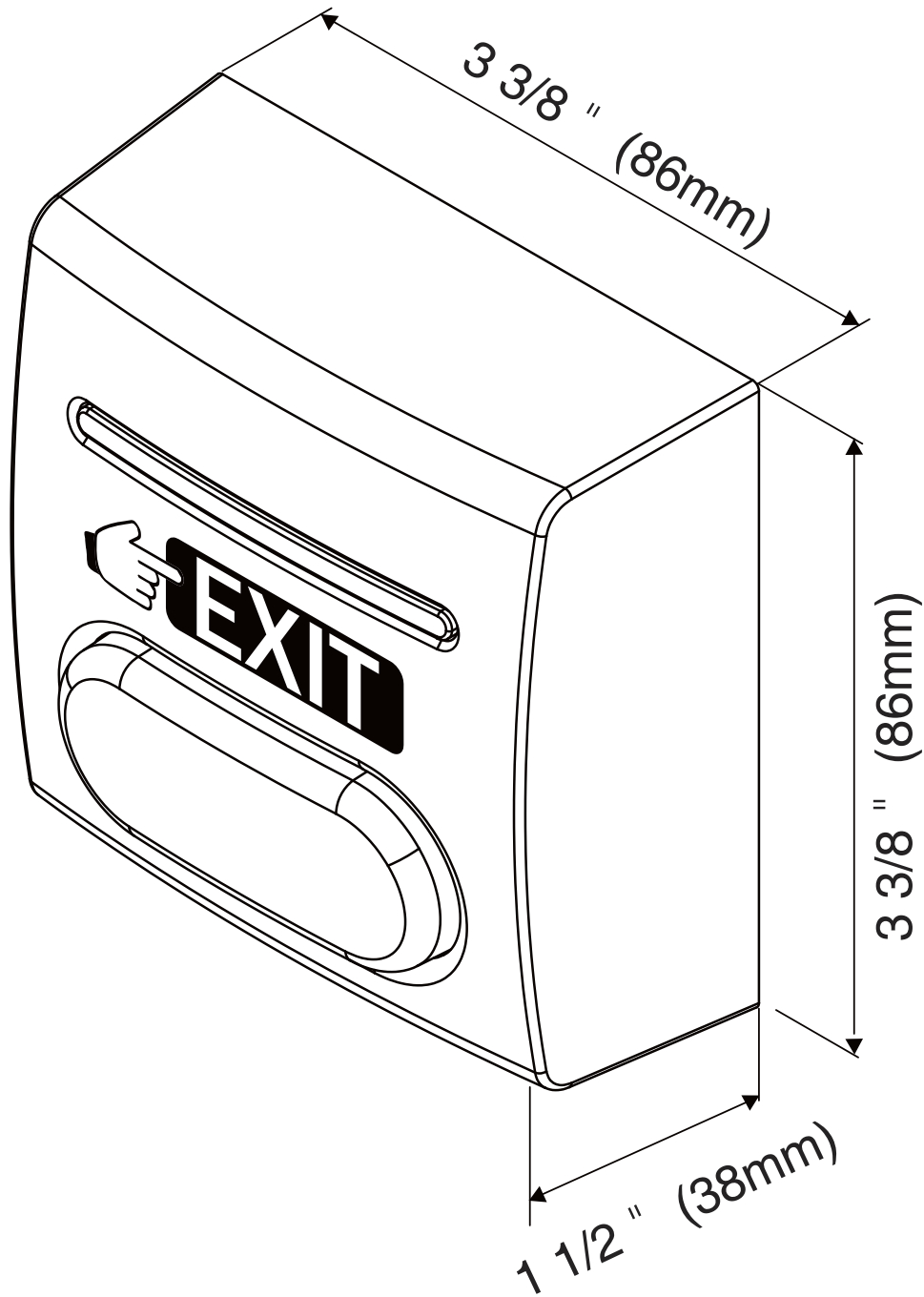


# Dimension

**PBT-1000BT**



All dimensions in mm