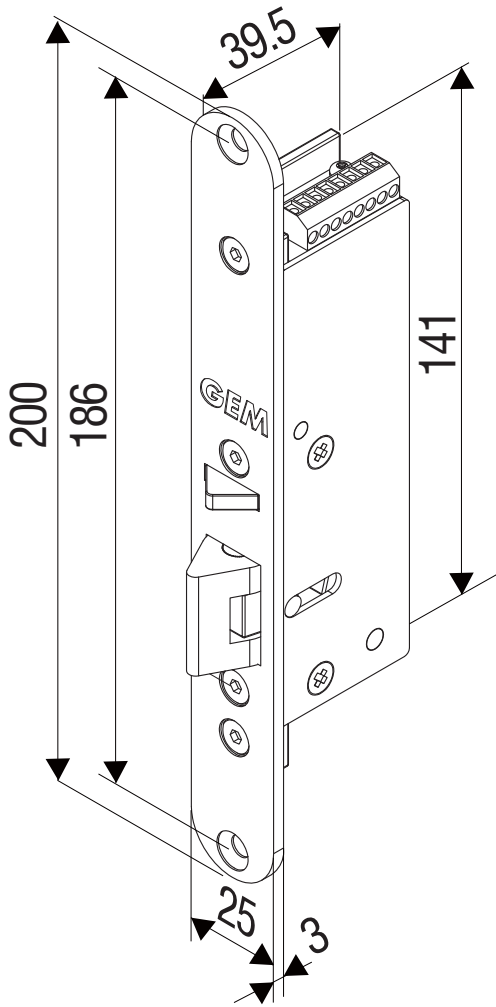
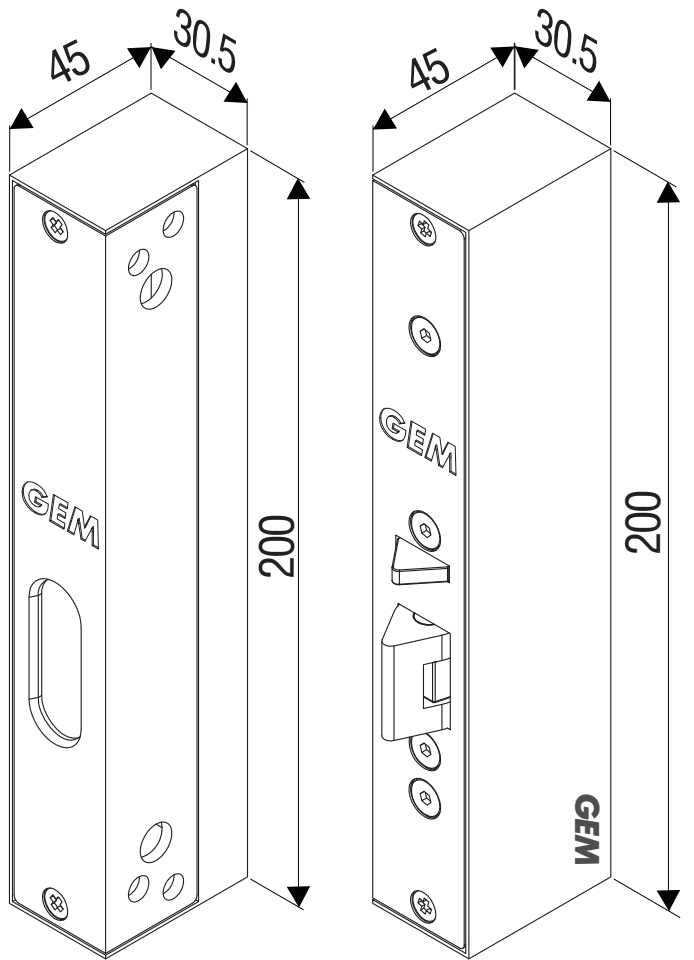


# Dimension

## ML-350(M) / ML-360(M)



ML-350(M)



ML-360(M)

All dimensions in mm