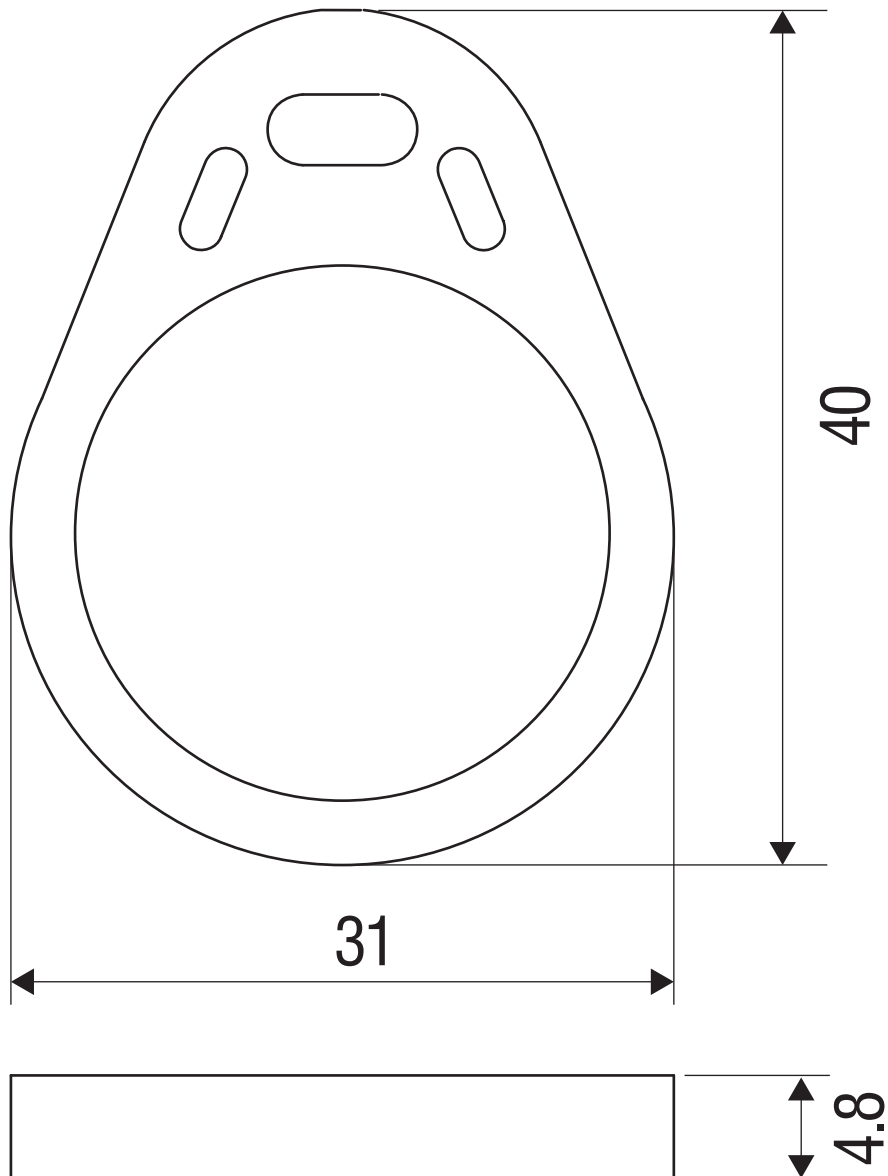


# Dimension

---

**KT-15EM**



All dimensions in mm