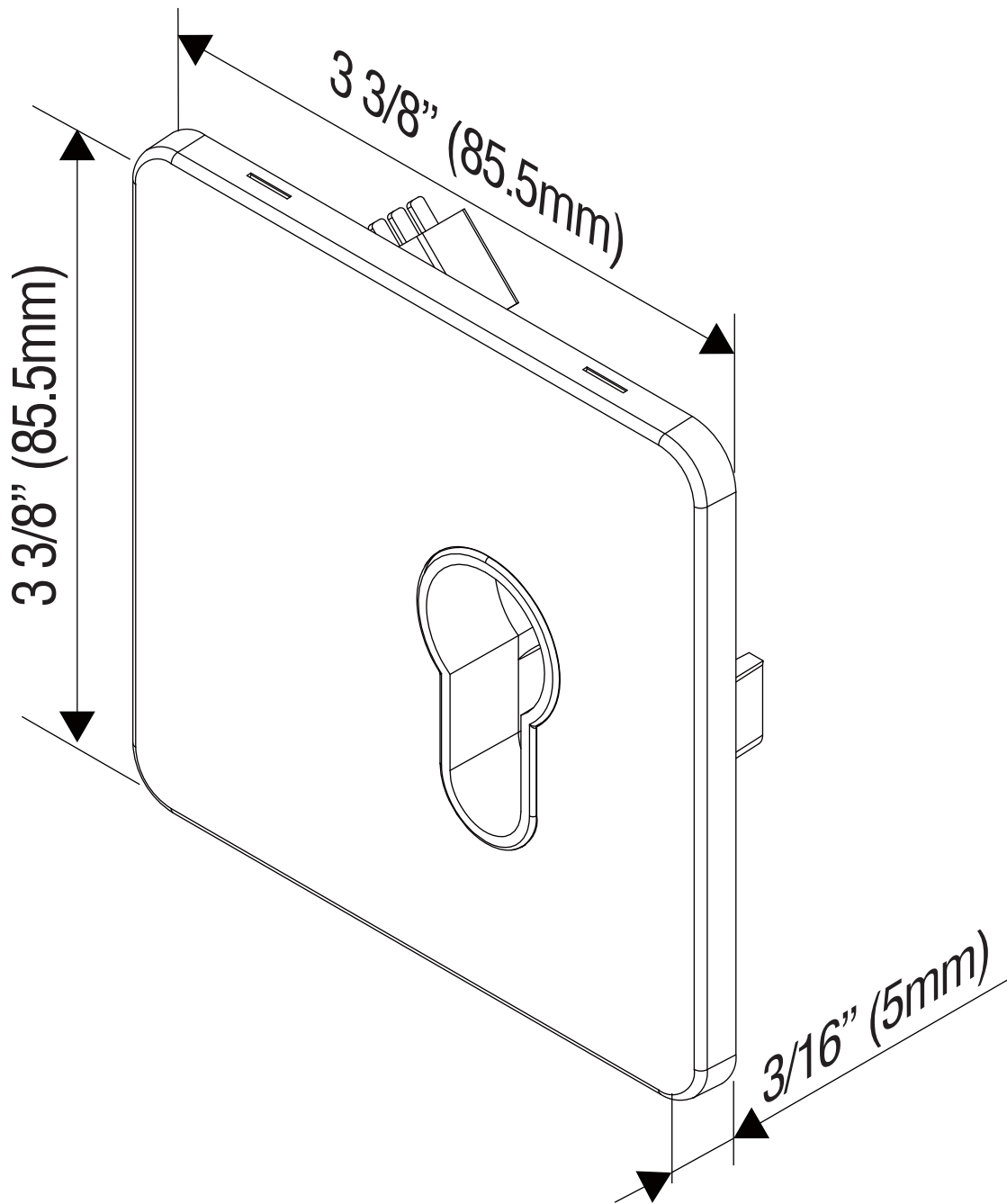


# Dimension

**KS-860**



All dimensions in mm